

LED Flat Panel
Ultra-Thin Edge-Lit LED Panel
2X2



Description

The premium-performance, ultra-thin, edge-lit LED panel series offers industry-leading lumens per watt (LPW). The LFP is designed to deliver general ambient lighting in a variety of indoor settings, including schools, offices, hospitals and stores, and is the perfect choice for both new construction and retrofits. This high-efficacy luminaire provides long-life and uniform illumination, as well as standard 0-10 VDC dimming capability.

Features

- Long-life LEDs
- Uniform illumination with no visible LED pixilation.
- Universal 120-277 AC voltage (50-60Hz) is standard.
- 0-10VDC dimming capability is standard.
- Power factor > 0.90.
- Total harmonic distortion < 20%.
- Color rendering index > 80.
- Aluminum housing.
- PMMA (polymethyl methacrylate) acrylic lens with light guide panels for optimal light distribution and efficiency.
- Easy installation in new construction or retrofit.
- Standard earthquake clips provide secure installation in grid ceilings.
- Designed for recessed mounting in ceiling grids. Optional surface mounting requires a surface mounting kit (option LFP-SMK22)

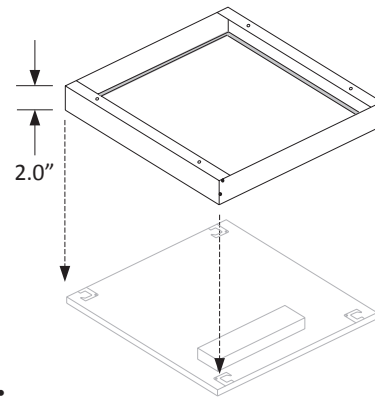
Project:	
Catalog#:	
Approved by:	

Warranty & Listings

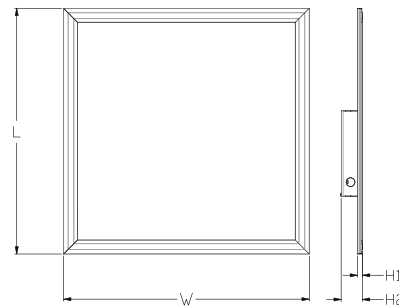
- UL listed for damp locations and insulated ceilings (IC-rated) for use in ambient temperatures from -25°C to 50°C (-13°F to 122°F).
- Complies with RoHS (Restriction on Hazardous Substances) requirements.
- 5-year warranty of all electronics and housing.

Surface Mounting Kit

- Optional surface mounting kit provides for installation on plaster or other hard ceilings.



Dimensions



Models	L (in.)	W (in.)	H1 (in.)	H2 (in.)
LFP2240AMV	23.7	23.7	0.38	1.8
LFP2232-50MV²			0.5	2.0



Ordering Information

Model	Watts	Lumens	Lm/W	Voltage	Package Quantity	Options ³	Rated Life ⁴ (L ₇₀)
LFP2240AMV¹	39	4,900	125	120 - 277V 50/60Hz	Sold in multiples of 4	LFP-SMK22	160,000 Hours
LFP2232-50MV²	32	4,000			Sold in multiples of 2		80,000 Hours

¹Available in 4000k (neutral white) color temperature only.

²Where 50 represents CCT (5000K); 30=3000K, 35=3500K, 40=4000K, 50=5000K (call factory for lead times.)

³Field installed option ⁴L₇₀ hours are IES TM-21-11 calculated hours.