

# ULTRA LED™ HO Reflector Lamps



## Key Features & Benefits

- Dimmable down to 10%\*
- Available in 2700K, 3500K and 5000K color temperatures
- Long life up to 25,000 hours (L70)
- UV and IR free
- Mercury and lead free
- RoHS compliant
- Energy savings up to 90%

\* Performance may vary depending on dimmer used in application. Please refer to Dimmer Compatibility List (RETRO-DIM) for a list of compatible dimmers or visit [www.SYLVANIA.com/LED Retrofit](http://www.SYLVANIA.com/LED Retrofit)



Rated up to 25,000 hours at 70% lumen maintenance, the SYLVANIA ULTRA HO LED bulbous reflector lamp offer years of service and reduce energy and maintenance costs. SYLVANIA LED lamps are environmentally preferred products. They are RoHS compliant, contain no mercury, lead or other hazardous materials. They emit no UV or IR radiation that can cause fading and discoloration of fabric or artwork. The 80+ CRI ensures greater color definition and can be used in many applications, both homes and businesses. These lamps are offered in 2700K, 3500K and 5000K color temperatures.

## Product Offering

Ordering Abbreviation	Wattage	Color Temperature
LEDR20	6	2700K, 5000K
LED BR30	9	2700K, 3500K, 5000K
LED BR40	12	2700K, 3500K, 5000K

## Application Information

### Applications

- General lighting
- Recessed downlights
- Track lighting
- Wall washers

### Market Segments

- Art galleries
- Hospitality
- Museums
- Offices
- Residential
- Restaurants
- Retail

### Application Notes

1. Only install in operating temperature -4°F to +104°F (-20°C to +40°C).
2. This device is not intended for use with emergency exits.
3. Not for use in totally enclosed fixtures.
4. Suitable for damp locations. Not for use where directly exposed to water.

This device complies with part 15 of the FCC Rules. Operation is subject to the following two conditions: (1) This device may not cause harmful interference, and (2) this device must accept any interference received, including interference that may cause undesired operation. For FCC Part 15 user information, please see [www.sylvania.com/fcc15b](http://www.sylvania.com/fcc15b)



## Specification Data

Catalog #	Type
Project	
Comments	
Prepared by	

## Ordering Information

Item Number	Ordering Abbreviation	Wattage (W)	Base Type	Replaces	Input Voltage (V)	Average Rated Life (hrs.)	CCT	Typical Lumens (lm)	CRI	Power Factor	ENERGY STAR®
78062	LED6R20/DIM/HO/827/G5	6	Medium	50WR20	120	25,000	2700K	525	80	.95	Yes
78061	LED6R20/DIM/HO/850/G5/RP	6	Medium	50WR20	120	25,000	5000K	550	80	.95	Yes
78055	LED9BR30/DIM/HO/827/G5	9	Medium	65WBR30	120	25,000	2700K	800	80	.97	Yes
78056	LED9BR30/DIM/HO/835/G5/RP	9	Medium	65WBR30	120	25,000	3500K	800	80	.96	Yes
78679	LED9BR30/DIM/HO/850/G5/RP	9	Medium	65WBR30	120	25,000	5000K	800	80	.96	Yes
78063	LED12BR40/DIM/HO/827/G5	12	Medium	85WBR40	120	25,000	2700K	1100	80	.97	Yes
78773	LED12BR40/DIM/HO/850/G5/RP	12	Medium	85WBR40	120	25,000	5000K	1250	80	.97	Yes
78905	LED12BR40/DIM/HO/835/G5/RP	12	Medium	85WBR40	120	25,000	3500K	1100	80	.97	Yes

## Ordering Guide

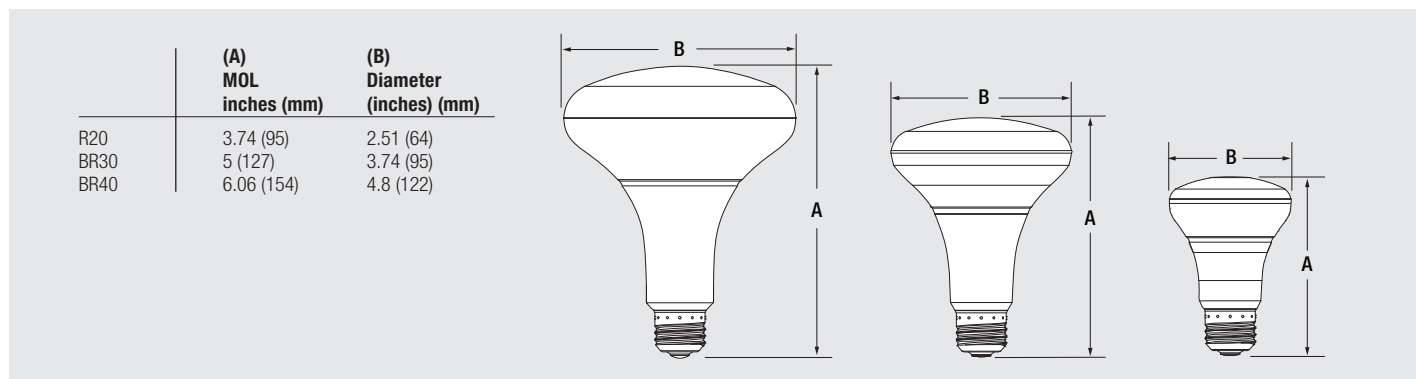
LED	XX	BR30	/	DIM	/	HO	/	8	27
LED Lamps	Wattage: 6, 9, 12	Lamp Type: R20 BR30 BR40	/	Dimmable	/	High Output	/	CRI=80+	Color Temperature 2700K 3500K 5000K

## Energy Savings

Basic Product Description	LED Life (hrs.)	Similar Incandescent	Incandescent Life (hrs.)	Incandescent Lumens	Watts Saved	Energy Savings*	LED Life vs. Incandescent
LED6R20	25,000	50R20	2,000	420	44	\$121.00	12x
LED9BR30	25,000	65BR30	2,000	700	56	\$154.00	12x
LED12BR40	25,000	85BR40	2,000	1065	73	\$200.75	12x

\*Energy savings over life of lamp calculated at \$0.11/kWh

## Lamp Dimensions



LEDVANCE LLC  
 200 Ballardvale Street  
 Wilmington, MA 01887 USA  
 Phone 1-800-LIGHTBULB (1-800-544-4828)  
 www.sylvania.com

SYLVANIA and LEDVANCE are registered trademarks.  
 All other trademarks are those of their respective owners.  
 Licensee of product trademark SYLVANIA in general lighting.  
 Specifications subject to change without notice.

[/sylvania](#) [/sylvania](#)

