

# LRP38-10L

High Output PAR38 LED Lamp

## Product Description

The LRP38-10L LED high output PAR38 lamp delivers up to 1000 lumens of exceptional 92 CRI light while achieving over 70 lumens per watt. This breakthrough performance is achieved by combining the high efficacy and high-quality light of Cree TrueWhite® Technology. The LRP38-10L is available in warm or neutral color temperatures and 12- or 25-degree beam angles. Available in both Edison and GU24 bases, the LRP38-10L is a spec grade solution perfect for down lighting, track, and accent lighting use in both commercial and retail applications.

## Performance Summary

Utilizes Cree TrueWhite® Technology
ENERGY STAR® qualified
<b>Delivered Light Output:</b> 1000 lumens (3000K), 950 lumens (2700K)
<b>Input Power:</b> 13.5 watts
<b>CRI:</b> 92
<b>CCT:</b> 3000K (1000 lumens), 2700K (950 lumens)
<b>Beam Angle:</b> 12°, 25°
<b>CBCP:</b> 12°: 13,220, 25°: 4,000
<b>Limited Warranty*:</b> 3 years
<b>Lifetime:</b> Designed to last 50,000 hours in open fixtures
<b>non-IC Lifetime:</b> Designed to last 35,000 hours in non-IC recessed downlights
<b>Dimming:</b> Dimmable to 20% with ELV dimmers

\* See [www.cree.com/lighting/products/warranty](http://www.cree.com/lighting/products/warranty) for warranty terms

## Accessories

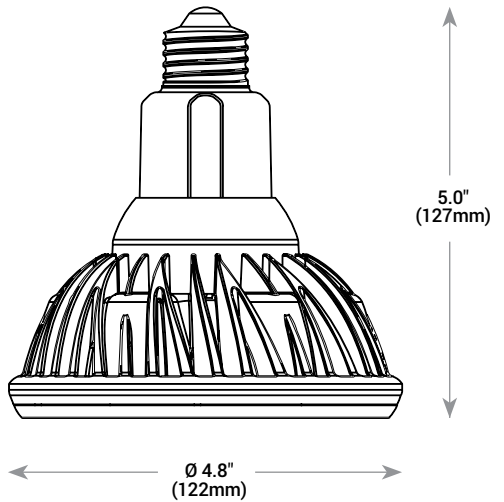
Reference housing & accessory documents for more details

Trackheads	
Lampholder, Edison Socket TL	Gimbal Ring, GU24 Socket TG38

LRP38-10L (12°)



LRP38-10L (25°)



## Ordering Information

Example: LRP38-10L-27K-25D

LRP38	10L			
Product	Lumen Output	Color Temperature	Beam Angle	Base
LRP38	10L 1000 Lumens	27K 2700K 30K 3000K	12D 12° Flood 25D 25° Flood	Blank Edison GU24 GU24



Rev. Date: V2 10/04/2018



**Product Specifications**

**CREE TRUEWHITE® TECHNOLOGY**

A revolutionary way to generate high-quality white light, Cree TrueWhite® Technology is a patented approach that delivers an exclusive combination of 90+ CRI, beautiful light characteristics, and lifelong color consistency, all while maintaining high luminous efficacy – a true no compromise solution

**CONSTRUCTION & MATERIALS**

- Durable die-cast aluminum housing with lens protects LEDs and optical system
- Thermal management system uses a combination of heat pipe technology and integral heat sink to conduct heat away from LEDs and transfer it to the surrounding environment for optimal performance
- Housing conforms to ANSI standards for PAR38 lamp envelopes

**NOTE:** To ensure compatibility, verify fit in fixtures that utilize the lamp face for mechanical attachment. Color filters, baffles, or other shielding media may affect color consistency and lifetime

**OPTICAL SYSTEM**

- Injection molded total internal reflection (TIR) optics redirects light to achieve a uniform, comfortable appearance that eliminates pixelation and direct view of unshielded LEDs. This ensures smooth light patterns are projected with no hot spots and minimal striations
- TIR optical patterns and stair-step design (25°) are precisely designed for exceptional optical control, enabling 12° or 25° beam angles with almost no light wasted outside of the beam. This ensures low brightness appearance when viewed from off-axis and outside of the beam

**ELECTRICAL SYSTEM**

- Integral, high-efficiency driver and power supply
- **Power Factor:** < 0.9 nominal
- **Total Harmonic Distortion:** < 20%
- **Input Voltage:** 120V, 60Hz
- **Dimming:** Dimmable to 20% with ELV dimmers

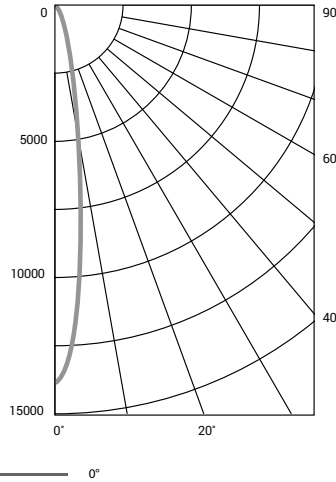
**REGULATORY & VOLUNTARY QUALIFICATIONS**

- cULus Listed
- Suitable for damp locations
- Utilize GU24 base for new construction projects in California or other areas where high-efficacy line voltage sockets are required
- ENERGY STAR® qualified
- **CA RESIDENTS WARNING:** Cancer and Reproductive Harm – [www.p65warnings.ca.gov](http://www.p65warnings.ca.gov)

**Photometry**

**LRP38-10L-12D BASED ON ONSPEX REPORT #: 30017011**

Luminaire photometry has been conducted by a NVLAP accredited testing laboratory in accordance with IESNA LM-79-08. IESNA LM-79-08 specifies the entire luminaire as the source resulting in a luminaire efficiency of 100%.



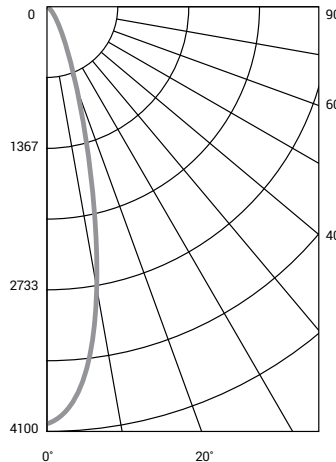
Zonal Lumen Summary		
Zone	Lumens	% Lamp
0-30	1,067	87.1%
0-40	1,150	93.9%
0-60	1,214	99.2%
60-90	10	0.8%

Intensity (Candlepower) Summary	
Angle	Mean CP
0°	13,220
5°	9,064
15°	910
25°	163
35°	127
45°	64
55°	14
65°	9
75°	7
85°	6
90°	5

Reference [www.cree.com/lighting](http://www.cree.com/lighting) for detailed photometric data.

**Photometry**

**LRP38-10L-25D BASED ON ONSPEX REPORT #: 2472807**



Zonal Lumen Summary		
Zone	Lumens	% Lamp
0-30	789	81.3%
0-40	850	87.6%
0-60	925	95.2%
60-90	971	100%

Intensity (Candlepower) Summary	
Angle	Mean CP
0°	4,034
5°	3,631
15°	12,85
25°	241
35°	95
45°	55
55°	35
65°	24
75°	15
85°	6
90°	2

Reference <http://lighting.cree.com/products/indoor/lamps/lrp-series> for detailed photometric data.

