

7/21/2014

**4 Lamp
Standard Ballast Factor
Multi-volt
High Efficiency**

Project:	
Catalog#:	
Approved by:	

Electronic Fluorescent Ballast

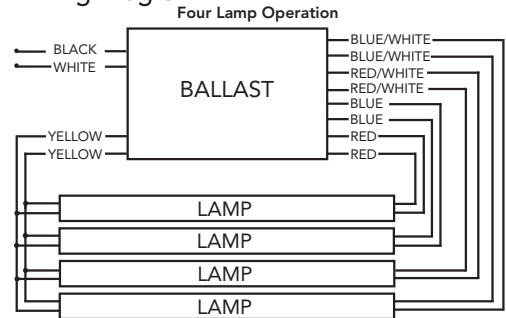
T8 Parallel Program Rapid Start Lamp Operation

Lamp Type	No. Of Lamps	Lamp Watts	Line Voltage	Ballast Factor	Input Watts	Input Current (amps)	Power Factor	THD	Ballast Efficacy Factor
F32T8*	4	32	120	0.86	114	0.95	0.99	<10%	0.75
	4	32	277	0.86	114	0.42	0.98	<10%	0.76
	3	32	120	0.92	95	0.79	0.99	<10%	0.97
	3	32	277	0.93	95	0.35	0.98	<10%	0.99
F32T8/ES/30	4	30	120	0.83	104	0.87	0.99	<10%	0.80
	4	30	277	0.84	104	0.38	0.98	<10%	0.80
	3	30	120	0.88	86	0.72	0.99	<10%	1.03
F32T8/ES/28	3	30	277	0.89	86	0.32	0.98	<10%	1.03
	4	28	120	0.85	100	0.84	0.99	<10%	0.85
	4	28	277	0.86	100	0.37	0.98	<10%	0.86
F32T8/ES/25	3	28	120	0.92	83	0.70	0.99	<10%	1.11
	3	28	277	0.93	83	0.31	0.97	<12%	1.12
	4	25	120	0.89	93	0.77	0.99	<10%	0.96
F32T8/ES/25	4	25	277	0.89	93	0.34	0.98	<10%	0.96
	3	25	120	0.94	76	0.64	0.99	<10%	1.23
	3	25	277	0.94	76	0.28	0.98	<10%	1.24
	3	25	277	0.94	76	0.28	0.98	<10%	1.24
F25T8	4	25	120	0.84	88	0.74	0.99	<10%	0.96
	4	25	277	0.85	88	0.33	0.98	<10%	0.97
	3	25	120	0.90	74	0.62	0.98	<10%	1.21
	3	25	277	0.90	74	0.28	0.97	<12%	1.21
F17T8	4	17	120	0.87	63	0.52	0.98	<10%	1.39
	4	17	277	0.89	63	0.24	0.97	<12%	1.41
	3	17	120	0.94	53	0.45	0.98	<10%	1.77
	3	17	277	0.94	53	0.21	0.95	<15%	1.78
F40T8	3	40	120	0.88	111	0.93	0.99	<10%	0.80
	3	40	277	0.89	111	0.41	0.98	<10%	0.80

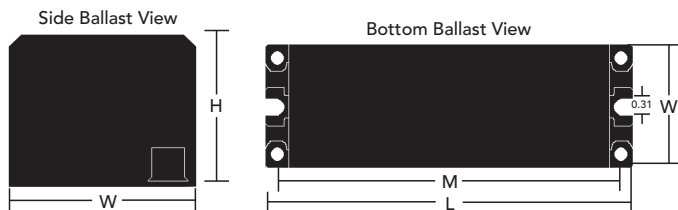
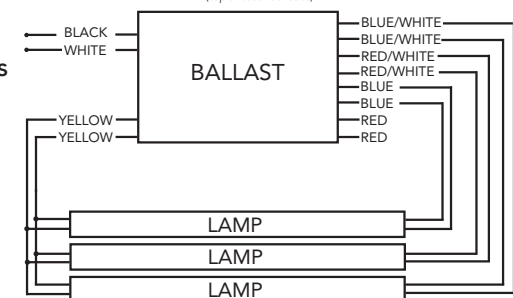
*** Primary Lamp Design
Ballast Specifications**

- Ballast shall have a five-year warranty
- Ballast shall be UL certified
- Ballast shall be sound rated Class A
- Ballast shall be Class P Type 1 Outdoor
- Ballast shall have a Lamp Current Crest Factor of <1.7
- Ballast shall meet ANSI Standards C62.41 Cat. A
- Ballast shall comply with the limits of FCC Part 18 Class A Non-Consumer
- Ballast shall have a lamp operating frequency greater than 40kHz
- Ballast shall have a 0°F minimum lamp starting temperature for primary lamp
- Ballast shall be Program Rapid Start
- Ballast shall be Parallel Lamp Operation
- Ballast shall have minimum Power Factor of 98% for primary Lamp operation
- Ballast shall operate within +/- 10% of the ballast specified line voltage at 60 Hz
- Ballast shall have a maximum case hot spot temperature of 75 Celsius

Wiring Diagram



**Three Lamp Operation
(cap unused red leads)**



Dimensions

L: 9.5"
W: 1.65"
H: 1.18"
M: 8.9"

• Specifications are subject to change without notice.

