

SYLVANIA Luminaires

High Bay

Catalog #	Type
Project	
Notes	
Date	
Prepared by	



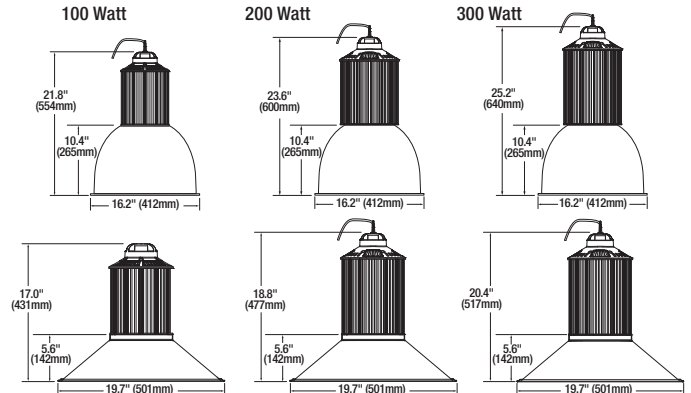
Product Features

- Lightweight, impact resistant fixture is designed for easy and safe installation
- Traditional design with multiple optic choices that enhance lumen output
- 1 for 1 replacement up to 1000W MH/HPS fixture and wide operating temperature

Wattage Comparison Chart

Traditional Source	Traditional System Wattage	LED System Wattage	Energy Savings
250W MH	290	100	66%
250W HPS	295	100	66%
320W MH	370	200	46%
400W HPS	460	200	57%
400W MH	450	200	56%
750W MH	820	300	63%
750W HPS	840	300	64%
1000W MH	1080	300	72%
1000W HPS	1100	300	73%

Dimensions



Specifications

Weight: 100W: UNV: 9.5lbs (4.3kg) HUV: 10.3lbs (4.7kg)
 200W: UNV: 12.5lbs (5.7kg) HUV: 13lbs (5.9kg)
 300W: UNV: 15.5lbs (7kg) HUV: 16lbs (7.3kg)

Construction: Two-piece cast, low copper (<0.4% Cu) aluminum alloy with powder coat paint and IK08 UV stabilized polycarbonate refractor or aluminum reflector. The standard color is gray.

LED System: LED system with a life rating of ≥63,000 hours (100W versions), ≥73,000 hours (300W versions), or ≥150,000 hours (200W and HUV versions) at L₇₀ @25°C. Luminaire efficacy up to 125 LPW.

Electrical: Offered in 100, 200 and 300 Watts, the luminaire is designed to operate through 120-277 or 347-480 V_{AC} voltage. The LED driver has a 4kV inherent surge suppression and is a constant current device, meeting UL1310 and UL48 Class 1 with built-in over temperature protection. The power factor is ≥90% and THD is ≤20%.

Dimming: The driver is 0-10V dimmable (down to 16%). Please reference the dimmer compatibility document (LEDLUM012).

Color Characteristics: CRI>80; CCT of 3500K, 4000K or 5000K.

Optics: Type V distribution with a 16 inch polycarbonate open refractor. (Bottom lens accessory available.) Type V distribution with a 20 inch aluminum reflector.

Installation: Luminaire mounts via hook with 6-foot flying lead cable (included).

Operating Temperature: 100W/200W (UNV/HUV): -40°F to +122°F (-40°C to +50°C), 300W: -40°F to +104°F (-40°C to +40°C).

Listings: cULus listed to UL1598 standards for damp locations.

Warranty: Standard 5-year luminaire warranty (LEDLUM001).

Note: Specifications subject to change without notice. IES files available online.



* See page 2 for DLC listings.

Ordering Guide

Item Number:

<input type="text"/>	<input type="text"/>	/	<input type="text"/>	<input type="text"/>	<input type="text"/>	<input type="text"/>	<input type="text"/>	<input type="text"/>	/	<input type="text"/>	/	<input type="text"/>
HIBAY	1A		XXX	XXX	D	8	XX			GR		X
Product Name	Generation		Wattage	Voltage	Dimming	CRI	Color Temp (CCT)			Color/Finish		Options
HIBAY	1A		100 = 100 Watts 200 = 200 Watts 300 = 300 Watts	UNV = 120-277V HUV = 347-480V	D = 0-10V	8 = >80	35 = 3500K* 40 = 4000K 50 = 5000K			GR = Gray		Blank = No Options E = Emergency**

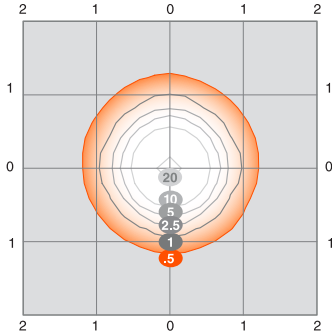
*Available for 100 and 200W only
 **Available for 200W only



Photometric Data

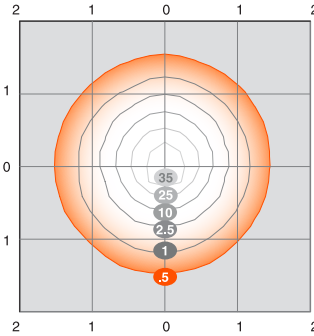
HIBAY1A/100UNVD850

Isofootcandle Lines at 20' Mounting Height



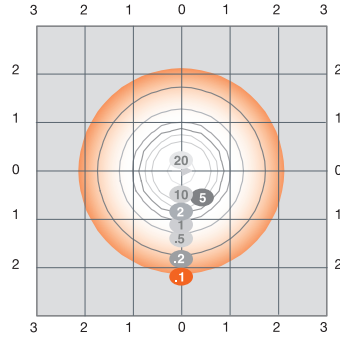
HIBAY1A/200UNVD850

Isofootcandle Lines at 20' Mounting Height



HIBAY1A/300UNVD850

Isofootcandle Lines at 30' Mounting Height



For other mounting heights apply the following multipliers:

Mounting Height	18'	20'	22'	25'	30'
Multiplier	1.23	1.00	0.83	0.64	0.44

Mounting Height	18'	20'	22'	25'	30'
Multiplier	1.23	1.00	0.83	0.64	0.44

Mounting Height	22'	25'	30'	32'	35'
Multiplier	1.86	1.44	1.00	0.88	0.73

*Photometric data based on housing with refractor.

Ordering Information

Item Number	Ordering Abbreviation	Power (W)	Input Voltage	Dimming	CRI	Color Temp (CCT)	Total Fixture Lumens		LPW*		DLC**		Options	MTO***
							Refractor	Reflector	Refractor	Reflector	Refractor	Reflector		
60101	HIBAY1A/100UNVD835/GR	100	120-277V	0-10V	>80	3500K	11,300	11,200	120	119	Std	Std	-	MTO
74230	HIBAY1A/100UNVD840/GR	100	120-277V	0-10V	>80	4000K	10,800	11,000	108	108	Std	Std	-	
74231	HIBAY1A/100UNVD850/GR	100	120-277V	0-10V	>80	5000K	10,800	10,800	108	108	Std	Std	-	
60102	HIBAY1A/200UNVD835/GR	200	120-277V	0-10V	>80	3500K	21,900	21,900	111	111	Std	Std	-	MTO
74232	HIBAY1A/200UNVD840/GR	200	120-277V	0-10V	>80	4000K	22,200	22,500	114	116	Std	Std	-	
74233	HIBAY1A/200UNVD850/GR	200	120-277V	0-10V	>80	5000K	22,500	22,900	115	116	Std	Std	-	
74515	HIBAY1A/200UNVD840/GR/E	200	120-277V	0-10V	>80	4000K	22,200	22,500	114	116	Std	Std	Emergency	
74516	HIBAY1A/200UNVD850/GR/E	200	120-277V	0-10V	>80	5000K	22,500	22,900	115	116	Std	Std	Emergency	
71731	HIBAY1A/300UNVD840/GR	300	120-277V	0-10V	>80	4000K	33,300	34,200	109	112	Std	Std	-	
71732	HIBAY1A/300UNVD850/GR	300	120-277V	0-10V	>80	5000K	33,700	34,800	110	113	Std	Std	-	
74509	HIBAY1A/100HUV840/GR	100	347-480V	0-10V	>80	4000K	10,800	10,500	108	109	Std	Std	-	
74510	HIBAY1A/100HUV850/GR	100	347-480V	0-10V	>80	5000K	10,800	10,900	108	114	Std	Std	-	
74511	HIBAY1A/200HUV840/GR	200	347-480V	0-10V	>80	4000K	23,300	23,700	123	125	Std	Std	-	
74512	HIBAY1A/200HUV850/GR	200	347-480V	0-10V	>80	5000K	23,100	23,400	122	124	Std	Std	-	
60147	HIBAY1A/300HUV840/GR	300	347-480V	0-10V	>80	4000K	33,000	34,000	110	110	Std	Std	-	
60148	HIBAY1A/300HUV850/GR	300	347-480V	0-10V	>80	5000K	33,000	34,000	110	110	Std	Std	-	

*LPW per LM79 report.

**Std for DLC Standard.

***Made To Order

Optics (B or C)

Item Number	Ordering Abbreviation	Item Description	Optic
74234	HIBAY1A/16H5	16 inch Polycarbonate Refractor (IK08)	B
74395	HIBAY1A/20AL5	20 inch Aluminum Reflector	C

Accessories and Replacement Parts

Item Number	Ordering Abbreviation	Item Description
74449	HIBAY1A/BOTTOMLENS/16H5	Refractor Bottom Lens

LEDVANCE LLC

200 Ballardvale Street

Wilmington, MA 01887 USA

Phone 1-800-LIGHTBULB (1-800-544-4828)

www.sylvania.com

SYLVANIA and LEDVANCE are registered trademarks.

All other trademarks are those of their respective owners.

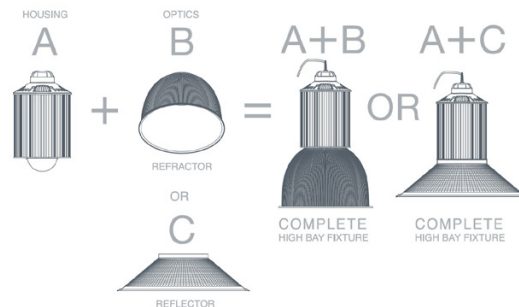
Licensee of product trademark SYLVANIA in general lighting.

Specifications subject to change without notice.

/sylvania

/sylvania

Housing (A) + Optics (B or C) =



SYLVANIA