

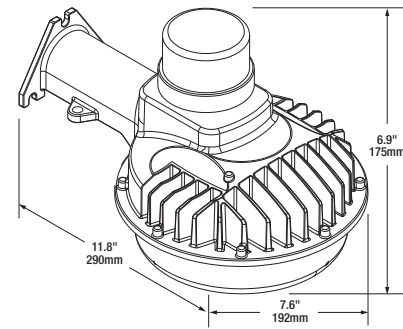
# SYLVANIA Luminaires

## Dusk to Dawn



Catalog #	Type
Project	
Notes	
Date	
Prepared by	

### Dimensions



### Product Features

- Traditional, compact, lightweight design
- Easy to install
- Energy savings up to 79%
- Included NEMA photosensor included for additional energy savings
- Applications: general area lighting, yards, docks, barns, service roads, security lighting

### Wattage Comparison Chart

Dusk to Dawn Traditional Source	Traditional System Wattage	LED System Wattage	Energy Savings
35W HPS	42	20	52%
50W HPS	62	20	68%
70W HPS	91	20	78%
70W HPS	91	40	56%
100W HPS	120	40	67%
100W MH	130	40	69%
150W HPS	170	40	76%
150W MH	188	40	79%

### Specifications

**Weight:** 2.8 lbs (1.3 kg)

**Construction:** Cast aluminum alloy housing with UV stabilized powder coat paint finish and UV stabilized polycarbonate lens. The standard color is grey.

**LED System:** LED system with a life rating of  $\geq 135,000$  hours at  $L_{70}$  @25°C. Luminaire efficacy up to 126 LPW.

**Electrical:** Offered in 20 and 40 Watts, the luminaire is designed to operate through the 120-277 VAC voltage. The LED driver has a 4kV surge suppression and is a constant current device, meeting UL1310 and UL48 Class 1 with built-in over temperature protection. The power factor is  $\geq 90\%$  and THD is  $\leq 20\%$ .

**Color Characteristics:** CRI  $> 80$ ; CCT of 4000K or 5000K.

**Optics:** Type V distribution with diffuse UV stabilized polycarbonate lens.

**Installation:** Wall or pole mounted; additional mounting arm extension available.

**Operating Temperature:** -40°F to +104°F (-40°C to +40°C).

**Listings:** cULus listed to UL1598 standards for wet locations.

**Warranty:** Standard 5-year luminaire warranty (LEDLUM001).

**Note:** Specifications subject to change without notice. IES files available online.



### Ordering Guide

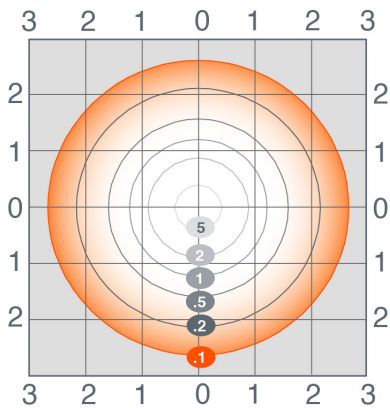
Item Number:

<input type="text"/>	<input type="text"/>	/	<input type="text"/>	<input type="text"/>	<input type="text"/>	/	<input type="text"/>	/	<input type="text"/>		
<b>AREADTD</b>	<b>1A</b>		<b>XXX</b>	<b>UNV</b>	<b>8</b>		<b>XX</b>		<b>NC</b>		<b>GR</b>
Product Name	Generation		Wattage	Voltage	CRI		Color Temp (CCT)		Distribution		Color/Finish
AREADTD	1A		020 = 20 Watts 040 = 40 Watts	UNV = 120-277V	8 $\geq 80$		40 = 4000K 50 = 5000K		NC = Non-Cutoff		GR = Grey

## Photometric Data

AREADTD1A/040UNV840/NC/GR

Isofootcandle Lines at 15' Mounting Height



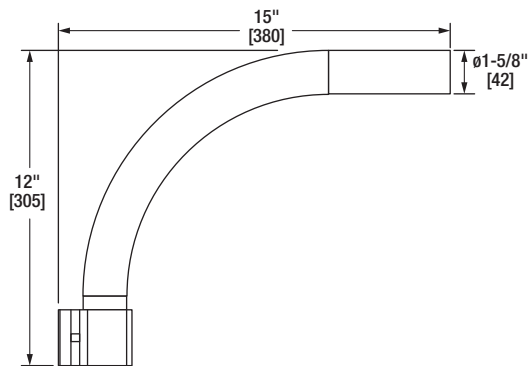
## Ordering Information

Item Number	Ordering Abbreviation	Power (W)	Input Voltage	Dimming	CRI	Color Temp (CCT)	Total Fixture Lumens	LPW*	DLC**
60238	AREADTD1A/020UNV840/NC/GR	20	120-277	0-10V	>80	4000K	2300	123	Prm
60239	AREADTD1A/020UNV850/NC/GR	20	120-277	0-10V	>80	5000K	2300	123	Prm
60110	AREADTD1A/040UNV840/NC/GR	40	120-277	0-10V	>80	4000K	4600	126	Prm
60111	AREADTD1A/040UNV850/NC/GR	40	120-277	0-10V	>80	5000K	4600	126	Prm

\*LPW per LM79 report  
\*\*Prm for DLC Premium

## Accessories and Replacement Parts

Item Number	Ordering Abbreviation	Item Description
60127	AREADTD1A/ARM/24	Mounting Arm



LEDVANCE LLC  
200 Ballardvale Street  
Wilmington, MA 01887 USA  
Phone 1-800-LIGHTBULB (1-800-544-4828)  
www.sylvania.com

SYLVANIA and LEDVANCE are registered trademarks.  
All other trademarks are those of their respective owners.  
Licensee of product trademark SYLVANIA in general lighting.  
Specifications subject to change without notice.

[/sylvania](#) [/sylvania](#)

