

CR Series

CR24™ 2' x 4' Architectural LED Troffer

Product Description

The CR24™ architectural LED troffer delivers up to 130 lumens per watt of exceptional 90 CRI light at 4000 lumens. This breakthrough performance is achieved by combining the high efficacy and high-quality light of Cree TrueWhite® Technology with a unique thermal management design. Its design makes the CR24 perfect for use in commercial new construction or renovated spaces. The CR24 product family is available in warm, neutral, cool, or daylight color temperatures and has step, 0-10V, or Lutron EcoSystem® Enabled dimming options.

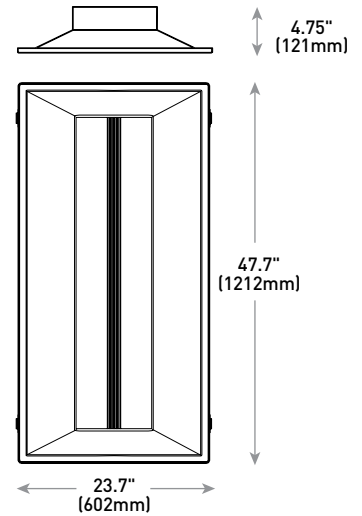
Performance Summary

Utilizes Cree TrueWhite® Technology (90 CRI)
Room-Side Heat Sink
Efficacy: 90-130 LPW
Initial Delivered Lumens: 2,200, 3,100, 4,000, 5,000 lumens
Input Power: 22-50 watts
CRI: 90 CRI (Cree TrueWhite® Technology), 80+ CRI (HD)
CCT: 3000K, 3500K, 4000K, 5000K
Input Voltage: 120-277 VAC or 347 VAC
Limited Warranty¹: 10 years
Limited Warranty Emergency Back Up (EB) Battery: 1 Year Battery Back Up. Test regularly in accordance with local codes
Controls: Step Level to 50%, 0-10V Dimming or Lutron EcoSystem Enabled to 5%
Mounting: Recessed*; surface or suspended w/surface mount kit accessory

¹ See <http://lighting.cree.com/warranty> for warranty terms
^{*} Acceptable for use with standard 9/16 T-Bar or larger when installed per installation instructions. Consult factory for non-standard grid applications

Accessories

Field-Installed		
Adjustable Power Feeds with Cable Support Canopy Kits AC5-18/4-72-PD8-JB - Requires use surface mount kit	Cree SmartCast® Technology Configuration Tool CCT-CWC 1 - One required per project when CIF-10V is selected	Drywall Grid Adaptor DGA24-WHT Junction Box (5-Pack) EJBCR-5PK - Expanded size junction box for through wiring - Not compatible with surface mount kits or 347V adaptor kits
Adjustable Cable Support Kits AC5-72-PD8-JB - Requires use of surface mount kit	Chicago Plenum Field Kit CPLCR CPLCR-EM - For luminaires w/EB14 options	6' Flexible Power Whip PW-18/4-06-9T/SS Surface Mount Kit SMK-24 - Not compatible with EB14 option. When EB14 is required, order as EB14SMK option - Not compatible with 347V adaptor kits or EJBCR-5PK
Wireless 0-10V Dimming/Switching Interface with Cree SmartCast® Technology CIF-10V - For use with luminaires with 10V controls when integral SmartCast isn't available	347 Volt Conversion Kits CR-347V - For use with 10V or LES controls - Not compatible with surface mount kits or EJBCR-5PK CR-347V-SD - For use with S controls - Not compatible with surface mount kits or EJBCR-5PK	



NOTE: Use of Expanded Junction Box will expand the depth to 6.7" (170mm) and Emergency Backup will expand the depth to 6.4" (163mm). Use of 347V will increase fixture height by 1.7" (42mm)

Ordering Information

Example: CR24-40L-40K-10V

CR24					
Product	Initial Delivered Lumens	CCT	Voltage	Control	Options
CR24	22L 22W, 2,200 lumens – 100 LPW - Available only with 35K or 40K 31L 34W, 3,100 lumens – 90 LPW 40L 40W, 4,000 lumens – 100 LPW 40LHE 30.5W, 4,000 lumens – 130 LPW (30K) 32W, 4,000 lumens – 125 LPW (35K) 33W, 4,000 lumens – 120 LPW (40K) 34.5W, 4,000 lumens – 115 LPW (50K) 50L 50W, 5,000 lumens – 100 LPW	30K 3000K 35K 3500K 40K 4000K 50K 5000K	Blank 120-277 Volt 34V 347 Volt - Integrated option available only with 40L and 10V. Other types require addition of a 347 volt accessory kit (see table above)	S Step Dimming to 50% 10V 0-10V Dimming to 5% LES¹ Lutron EcoSystem® Enabled to 5%	HD CRI 80+ - Available only with 40L (44W, 4,000 lumens - 90 LPW) EB14³ Emergency Backup - 1400 lumens - Not for use with SMK Kits. Use EB14SMK EB14SMK⁴ Emergency Backup w/Surface Mount Kit - 1400 lumens - Includes surface mount kit accessory (SMK-CR14)

1. Not available with 31L or 40LHE 2. Not available with 34 or EB14SMK 3. Not available with 50L, 34 or LES except 40L 4. Not available with 50L, 50K, 34 or LES
 NOTE: Price adder may apply depending on configuration



Rev. Date: V5 10/08/2018



Product Specifications

CREE TRUEWHITE® TECHNOLOGY

A revolutionary way to generate high-quality white light, Cree TrueWhite® Technology is a patented approach that delivers an exclusive combination of 90+ CRI, beautiful light characteristics, and lifelong color consistency, all while maintaining high luminous efficacy – a true no compromise solution

CREE LED TECHNOLOGY

Cree's total systems approach to product development is a comprehensive engineering philosophy that combines the most advanced LED sources, driver technologies, optics and forms. The result is highly-reliable luminaire solutions for both indoor and outdoor applications that reduce energy use, extend lifetimes, and maximize illumination performance and quality.

ROOM-SIDE HEAT SINK

An innovative thermal management system designed to maximize cooling effectiveness by integrating a unique room-side heat sink into the diffusing lens. This breakthrough design creates a pleasing architectural aesthetic while conducting heat away from LEDs in a temperature-controlled environment. This enables the LEDs to consistently run cooler, providing significant boosts to lifetime, efficacy, and color consistency.

CONSTRUCTION & MATERIALS

- Durable 22-gauge steel housing with standard troffer access plate for electrical installation
- One-piece lower reflector finished with a textured high reflectance white polyester powder coating creates a comfortable visual transition from the lens to the ceiling plane
- Includes t-bar clips and holes for mounting support wires (by others)
- May be surface mounted or suspended w/surface mount kit accessory
- Individual luminaires may be mounted end to end for a continuous row of illumination

OPTICAL SYSTEM

- Unique combination of reflective and refractive optical components achieves a uniform, comfortable appearance while eliminating pixelation and color fringing
- Components work together to optimize distribution, balancing the delivery of high illuminance levels on horizontal surfaces with an ideal amount of light on walls and vertical surfaces. This increases the perception of spaciousness
- Diffusing lens integrated with upward-facing LED strip eliminates direct view of LEDs while lower reflector balances brightness of lens with the ceiling to create a low-glare high angle appearance

ELECTRICAL SYSTEM

- Integral, high-efficiency driver
- **Power Factor:** = 0.9 nominal
- **Input Power:** Stays constant over life
- **Input Voltage:** 120-277V or 347V, 50/60Hz
- **Operating Temperature Range:** 0°C - + 35°C (32°F - + 95°F)
- **Total Harmonic Distortion:** < 20%
- **10V Source Current:** 0.25mA

CONTROLS

- Step dimming to 50%
- Continuous dimming to 5% with 0-10V DC control protocol
- Lutron EcoSystem® Enabled option allows seamless integration with Lutron EcoSystem controls
- Reference www.creelink.com/exLink.asp?70982140Z58R34126620963 for recommended dimming controls and wiring diagrams

REGULATORY & VOLUNTARY QUALIFICATIONS

- cULus Listed
- Suitable for damp locations
- Designed for indoor use
- UL924 (EB14 option)
- DLC qualified. Please refer to www.designlights.org/QPL for most current information
- RoHS compliant. Consult factory for additional details
- Meets FCC Part 15, Subpart B, Class A standards for conducted and radiated emissions
- **CA RESIDENTS WARNING:** Cancer and Reproductive Harm – www.p65warnings.ca.gov

Recommended CR Series Lumen Maintenance Factors (LMF) ¹						
Ambient	Initial Delivered Lumens	Initial LMF	25K hr Projected ² LMF	50K hr Projected ² LMF	75K hr Calculated ³ LMF	100K hr Calculated ³ LMF
0°C (41°F)	22L, 31L, 40L, and 50L	1.05	1.04	1.04	1.04	1.04
	40LHE	1.05	1.01	0.98	0.96	0.94
5°C (41°F)	22L, 31L, 40L, and 50L	1.04	1.03	1.03	1.03	1.03
	40LHE	1.04	1.00	0.97	0.95	0.93
10°C (50°F)	22L, 31L, 40L, and 50L	1.03	1.02	1.02	1.02	1.02
	40LHE	1.03	0.99	0.96	0.94	0.92
15°C (59°F)	22L, 31L, 40L, and 50L	1.02	1.01	1.01	1.01	1.01
	40LHE	1.02	0.98	0.95	0.93	0.91
20°C (68°F)	22L, 31L, 40L, and 50L	1.01	1.00	1.00	1.00	1.00
	40LHE	1.01	0.97	0.95	0.92	0.90
25°C (77°F)	22L, 31L, 40L, and 50L	1.00	0.99	0.99	0.99	0.99
	40LHE	1.00	0.96	0.94	0.91	0.89
30°C (86°F)	22L, 31L, 40L, and 50L	0.99	0.98	0.98	0.98	0.98
	40LHE	0.99	0.95	0.93	0.91	0.89
35°C (95°F)	22L, 31L, 40L, and 50L	0.98	0.97	0.97	0.97	0.97
	40LHE	0.98	0.94	0.92	0.90	0.88
40°C (104°F)	22L, 31L, 40L, and 50L	0.97	0.96	0.96	0.96	0.96
	40LHE	0.97	0.93	0.91	0.89	0.87

¹ Lumen maintenance values at 25°C (77°F) are calculated per TM-21 based on LM-80 data and in-situ luminaire testing
² In accordance with IESNA TM-21-11, Projected Values represent interpolated value based on time durations that are within six times (6X) the IESNA LM-80-08 total test duration (in hours) for the device under testing (DUT) i.e. the packaged LED chip
³ In accordance with IESNA TM-21-11, Calculated Values represent time durations that exceed six times (6X) the IESNA LM-80-08 total test duration (in hours) for the device under testing (DUT) i.e. the packaged LED chip

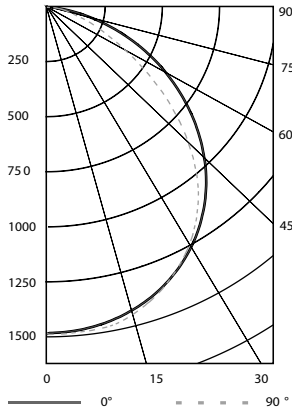


CR24™ 2' x 4' Architectural LED Troffer

Photometry

CR24-40L-30K BASED ON LTL REPORT TEST #: 24421

Luminaire photometry has been conducted by a NVLAP accredited testing laboratory in accordance with IESNA LM-79-08. IESNA LM-79-08 specifies the entire luminaire as the source resulting in a luminaire efficiency of 100%.



Coefficients Of Utilization – Zonal Cavity Method				
RC %:	80			
RW %:	70	50	30	10
RCR: 0	119	119	119	119
1	109	105	101	97
2	100	92	85	79
3	91	80	72	66
4	83	71	63	56
5	76	64	55	48
6	71	57	48	42
7	65	52	43	37
8	61	47	39	33
9	57	43	35	30
10	53	40	32	27

Effective Floor Cavity Reflectance: 20%

Reference <http://lighting.cree.com/products/indoor/troffers/cr-series> for detailed photometric data

Average Luminance Table (cd/m²)			
Vertical Angle	Horizontal Angle		
	0°	45°	90°
45°	1,976	2,116	2,152
55°	1,807	2,018	2,074
65°	1,553	1,889	1,879
75°	1,149	2,348	1,119
85°	424	62	62

Zonal Lumen Summary			
Zone	Lumens	% Lamp	Luminaire
0-30	1,115	27.9%	27.9%
0-40	1,835	45.9%	45.9%
0-60	3,245	81.1%	81.1%
0-90	4,000	100%	100%
0-180	4,000	100%	100%

Application Reference

Based on CR22-40L-30K Luminaire

Open Space						
Spacing	Initial Delivered Lumens	Lumens	Wattage	LPW	w/ft²	Average fc
8 x 8	22L	2200	22	100	0.35	30
	40L	4000	40	100	0.69	54
	40LHE	4000	30.5	125	0.56	54
	50L	5000	50	100	0.78	68
8 x 10	22L	2200	22	100	0.28	25
	40L	4000	40	100	0.55	45
	40LHE	4000	30.5	125	0.45	45
	50L	5000	50	100	0.62	57
10 x 10	22L	2200	22	100	0.22	21
	40L	4000	40	100	0.44	38
	40LHE	4000	30.5	125	0.36	38
	50L	5000	50	100	0.50	48
10 x 12	22L	2200	22	100	0.19	17
	40L	4000	40	100	0.37	30
	40LHE	4000	30.5	125	0.30	30
	50L	5000	50	100	0.42	38

9' ceiling: 80/50/20 reflectances; 2.5' workplane, open room. LLF: 1.0 Initial Open Space: 50' x 40' x 10'

© 2018 Cree, Inc. and/or one of its subsidiaries. All rights reserved. For informational purposes only. Content is subject to change. Patent www.cree.com/patents. Cree®, the Cree logo, TrueWhite®, SmartCast®, and Cree TrueWhite® are registered trademarks, and the Cree TrueWhite Technology logo, and CR24™ is a trademark of Cree, Inc. The UL logo is a registered trademark of UL LLC. Lutron®, Lutron EcoSystem®, EcoSystem®, and the Lutron EcoSystem Enabled logo are registered trademarks of Lutron, Inc. The DLC QPL logo is a registered trademark of Efficiency Forward, Inc.

