

PAR38-12-927-40D-DIM



Replace 90W and 120W PAR38 lamps. Dimmable LED, 90 CRI, weatherproof.
 Color: White Weight: 0.7 lbs

Project:	Type:
Prepared By:	Date:

Driver Info		LED Info	
Watts	12W	Input Voltage	120V
Color Temp	2700K (Soft White)	Power Factor	0.9
Lumens	950	Flicker	<30%
Efficacy	79.2 LPW	THDi	N/A
Color Accuracy	90 CRI	R9	50
L70 Accuracy	40,000		

Technical Specifications

Listings

UL Listed:

Yes

FCC:

Yes

Rohs:

Yes

CEC Status:

Not lawful for sale in California

ENERGY STAR V2.0:

This product is ENERGY STAR® Version 2.0 Certified

Energy Star ID:

2329955

Technical Specifications

Dimmable:

Yes, down to 10%

Description

R9:

50

Lamp Type:

Par

Bulb Type:

PAR38

Base Type:

E26, Medium Screw Base

Material:

Plastic

Construction

Operating Temperature:

-20 - 45°C

MOL (inches):

5.24"

MOD (inches):

4.69"

LED Characteristics

Lifespan:

40,000-hour LED lifespan based on IES LM-70 results

Other

Equivalent:

90W Halogen PAR38

Warranty:

4 years

Optical

Beam Angle:

40°

Technical Specifications (continued)

Optical

MBCP:

1533

Shipping Information

Case Qty:

6

Case Dimensions:

14.882 x 10.039 x 6.181

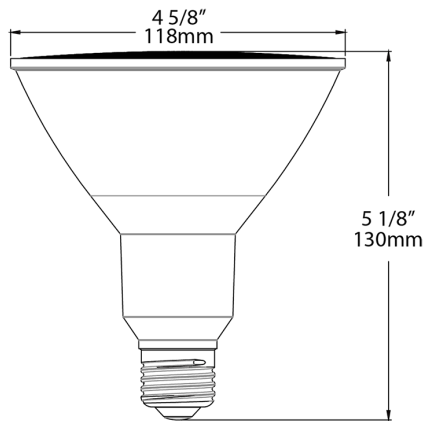
Pallet Quantity of Pieces:

528

Pallet Dimensions:

44.65 x 39.8 x 49.45

Dimensions



Features

PAR REPLACEMENT - Replaces conventional PAR lamps

ENERGY SAVINGS - Save up to 85% on energy

WET RATED - Suitable for use outdoors

ENCLOSED FIXTURE RATED - May be used in enclosed and open fixtures

DIMMABLE - Compatible with most common dimmer models

SHATTERPROOF - Plastic lamps for rugged applications

90 CRI - Produces rich and vibrant colors

Ordering Matrix

Family	Lamp Power	CRI/Color Temp	Beam Angle	Dimmable
PAR38	12	927	40D	DIM
	12 = 90W 16 = 120W 26 = 250W	927 = 2700K 930 = 3000K 940 = 4000K 950 = 5000K	25D = 25 degrees 40D = 40 degrees	DIM = Dimmable ND = Non-dimmable