

PAR30L-11-940-25D-DIM



Replace 75W PAR30L lamps. Dimmable LED, 90 CRI.

Color: White

Weight: 0.4 lbs

Project:

Type:

Prepared By:

Date:

Driver Info

Watts 11W
Color Temp 4000K (Cool White)
Lumens 900
Efficacy 81.8 LPW
Color Accuracy 90 CRI
L70 Accuracy 40,000

LED Info

Input Voltage 120V
Power Factor 0.9
Flicker <30%
THDi N/A
R9 50

Technical Specifications

Listings

UL Listed:

Yes

FCC:

Yes

T24:

Complies with Title 24 Appendix JA8

Rohs:

Yes

CEC Status:

Lawful for sale in California

ENERGY STAR V2.0:

This product is ENERGY STAR® Version 2.0 Certified

Energy Star ID:

2328354

Technical Specifications

Dimmable:

Yes, down to 10%

Description

R9:

50

Lamp Type:

Par

Bulb Type:

PAR30L

Base Type:

E26, Medium Screw Base

Material:

Plastic

Construction

Operating Temperature:

-20 - 45°C

MOL (inches):

4.53"

MOD (inches):

3.74"

LED Characteristics

Lifespan:

40,000-hour LED lifespan based on IES LM-70 results

Other

Equivalent:

75W Halogen PAR30L

Warranty:

4 years

Technical Specifications (continued)

Optical

Beam Angle:

25°

MBCP:

2910

Shipping Information

Case Qty:

6

Case Dimensions:

12.4 x 8.27 x 7.09

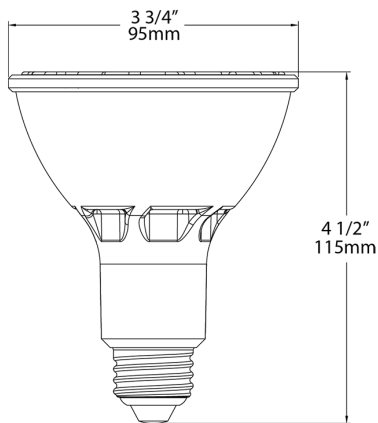
Pallet Quantity of Pieces:

600

Pallet Dimensions:

45.47 x 37.2 x 35.43

Dimensions



Features

- PAR REPLACEMENT - Replaces conventional PAR lamps
- ENERGY SAVINGS - Save up to 85% on energy
- DAMP RATED - Suitable for damp locations
- ENCLOSED FIXTURE RATED - May be used in enclosed and open fixtures
- DIMMABLE - Compatible with most common dimmer models
- SHATTERPROOF - Plastic lamps for rugged applications
- 90 CRI - Produces rich and vibrant colors

Ordering Matrix

Family	Neck	Lamp Power	CRI/Color Temp	Beam Angle	Dimmable
PAR30	L	11	940	25D	DIM
	L = Long	11 = 75W	927 = 2700K 930 = 3000K 940 = 4000K 950 = 5000K	25D = 25 degrees 35D = 35 degrees	DIM = Dimmable