



Replace conventional BR30 halogen bulbs. Dimmable LED, 90 CRI.  
 Color: White Weight: 0.2 lbs

<b>Project:</b>	<b>Type:</b>
<b>Prepared By:</b>	<b>Date:</b>

Driver Info		LED Info	
Watts	10W	Input Voltage	120V
Color Temp	5000K (Daylight)	Power Factor	0.9
Lumens	750	Flicker	<30%
Efficacy	75 LPW	THDi	N/A
Color Accuracy	90 CRI	R9	50
L70 Accuracy	25,000		

## Technical Specifications

### Listings

**UL Listed:**

Yes

**FCC:**

Yes

**Rohs:**

Yes

**CEC Status:**

Lawful for sale in California

**ENERGY STAR V2.0:**

This product is ENERGY STAR® Version 2.0 Certified

**Energy Star ID:**

2328155

### Technical Specifications

**Dimmable:**

Yes, down to 10%

### Description

**R9:**

50

**Lamp Type:**

Reflector

**Bulb Type:**

BR30

**Base Type:**

E26, Medium Screw Base

**Material:**

Plastic

### Construction

**Operating Temperature:**

-20 - 45°C

**MOL (inches):**

5.12"

### MOD (inches):

3.7"

### LED Characteristics

**Lifespan:**

25,000-hour LED lifespan based on IES LM-70 results

### Other

**Equivalent:**

65W Incandescent BR30

**Warranty:**

4 years

### Optical

**Beam Angle:**

120°

## Technical Specifications (continued)

### Shipping Information

**Case Qty:**

6

**Case Dimensions:**

11.97 x 7.99 x 6.5

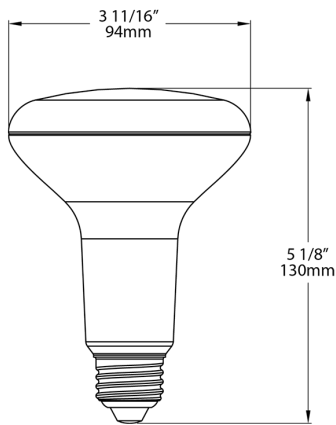
**Pallet Quantity of Pieces:**

600

**Pallet Dimensions:**

47.87 x 39.96 x 38.98

### Dimensions



### Features

**REFLECTOR REPLACEMENT** - Replacement for incandescent and halogen BR reflector lamps

**ENERGY SAVINGS** - Save up to 85% on energy

**25,000-HOUR LIFESPAN** - Long-life product

**DAMP RATED** - Suitable for damp locations

**ENCLOSED FIXTURE RATED** - May be used in both enclosed and open fixtures

**DIMMABLE** - Compatible with most common dimmer models

**SHATTERPROOF** - Plastic lamps for rugged applications

**110°; BEAM ANGLE** - Wide beam angle for maximum light distribution

**90 CRI** - Produces rich and vibrant colors

### Ordering Matrix

Family	Lamp Power	CRI/Color Temp	Dimmable
BR30	10	950	DIM
	10 = 65W	927 = 2700K 930 = 3000K 940 = 4000K 950 = 5000K	DIM = Dimmable