



Replace conventional R20 halogen bulbs. Dimmable LED, 90 CRI.

Color: White

Weight: 0.1 lbs

Project:

Type:

Prepared By:

Date:

Driver Info

LED Info

Watts	7W	Input Voltage	120V
Color Temp	3000K (Warm White)	Power Factor	0.9
Lumens	550	Flicker	<30%
Efficacy	78.6 LPW	THDi	N/A
Color Accuracy	90 CRI	R9	50
L70 Accuracy	25,000		

Technical Specifications

Listings

UL Listed:

Yes

FCC:

Yes

T24:

Complies with Title 24 Appendix JA8

Rohs:

Yes

CEC Status:

Lawful for sale in California

ENERGY STAR V2.0:

This product is ENERGY STAR® Version 2.0 Certified

Energy Star ID:

2328370

Technical Specifications

Dimmable:

Yes, down to 10%

Description

R9:

50

Lamp Type:

Reflector

Bulb Type:

R20

Base Type:

E26, Medium Screw Base

Material:

Plastic

Construction

Operating Temperature:

-20 - 45°C

MOL (inches):

3.7"

MOD (inches):

2.48"

LED Characteristics

Lifespan:

25,000-hour LED lifespan based on IES LM-70 results

Other

Equivalent:

50W Incandescent R20

Warranty:

4 years

Technical Specifications (continued)

Optical

Beam Angle:

120°

Shipping Information

Case Qty:

10

Case Dimensions:

13.19 x 5.51 x 4.41

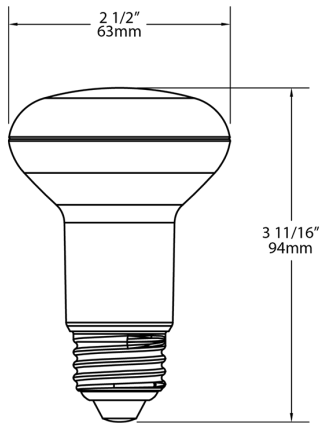
Pallet Quantity of Pieces:

2000

Pallet Dimensions:

46.26 x 39.57 x 35.28

Dimensions



Features

REFLECTOR REPLACEMENT - Replacement for incandescent and halogen R reflector lamps

ENERGY SAVINGS - Save up to 85% on energy

25,000-HOUR LIFESPAN - Long-life product

DAMP RATED - Suitable for damp locations

ENCLOSED FIXTURE RATED - May be used in both enclosed and open fixtures

DIMMABLE - Compatible with most common dimmer models

SHATTERPROOF - Plastic lamps for rugged applications

110° BEAM ANGLE - Wide beam angle for maximum light distribution

90 CRI - Produces rich and vibrant colors

Ordering Matrix

Family	Lamp Power	CRI/Color Temp	Dimmable
R20	7	930	DIM
	7 = 50W	927 = 2700K 930 = 3000K 950 = 5000K	DIM = Dimmable