



Replace 50 - 400W MH lamps for post tops, low bays, and high bays, in enclosed or open fixtures. 50,000-hour lifespan. Use 76% less energy than MH.

Color: White

Weight: 0.6 lbs

Project:	Type:
Prepared By:	Date:

Driver Info		LED Info	
Watts	18W	Input Voltage	100-277V
Color Temp	4000K (Cool White)	Power Factor	0.9
Lumens	2,600	Flicker	<30%
Efficacy	144.4 LPW	THDi	<20%
Color Accuracy	80 CRI	R9	
L70 Accuracy	50,000		

Technical Specifications

Listings

UL Listed:

Yes

UL Classified:

Yes

FCC:

Yes

Rohs:

Yes

CEC Status:

Lawful for sale in California

Description

Lamp Type:

HID

Bulb Type:

Post Top

Base Type:

E26, Medium Screw Base

Construction

Operating Temperature:

-20 - 40°C

Bare Lamp Illuminated Length (inches):

2.40"

MOL (inches):

5.71"

MOD (inches):

2.36"

Minimum Compartment Size (inches):

Length: 5.98"

Width: 5.98"

Height: 8.5"

LED Characteristics

Lifespan:

50,000-hour LED lifespan based on IES LM-70 results

Technical Specifications

Dimmable:

No

Optical

Beam Angle:

360°

Other

Warranty:

5-years

Accessories:

Surge protector available. Click [here](#) for surge protector accessory. Sold separately.

Note:

If the lamp reaches a temperature in an application to 110°C, the lamp will automatically reduce itself to 70% of rated wattage.

If the ambient temperature continues to increase and reaches 120°C, the lamp will reduce itself to 50% of rated wattage.

If the lamp reaches an application of 120°C, the lamps will remain at that level until they are turned off at which time they will reset and come back on a full brightness.

Technical Specifications (continued)

Shipping Information

Case Qty:

12

Case Dimensions:

12.2 x 9.06 x 8.46

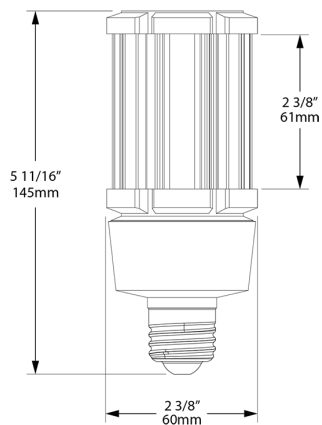
Pallet Quantity of Pieces:

432

Pallet Dimensions:

38.19 x 38.58 x 35.42

Dimensions



Features

- HID REPLACEMENT - Replacement for conventional HID lamps
- BALLAST BYPASS - Internal driver eliminates the need for external driver or ballast
- COMPACT DESIGN - Allows the lamp to fit in most fixtures
- INSTALLATION ORIENTATION - Lamps can be installed universally Base up, down or sideways
- HEAT DISSIPATION - Thermal technology extends lifespan
- WATER & DUST RESISTANT - Ideal for outdoor fixtures
- ENCLOSED FIXTURE RATED - May be used in enclosed and open fixtures
- INSTANT ON - No warmup time required, full brightness instantly
- SURGE PROTECTION - Includes 4kV surge protection

Ordering Matrix

Family	Lamp Power	Base Type	CRI/Color Temp	Installation Type	Lamp Type
HID	18	E26	840	BYP	PT
	12 = 50W	E26 = E26	830 = 3000K	BYP = Bypass	PT = Post Top
	18 = 75W	EX39 = EX39	840 = 4000K		
	27 = 125W		850 = 5000K		
	36 = 150W				
	45 = 175W				
	54 = 200W				
	63 = 250W				
	80 = 320W				
	100 = 400W				