

## XBEAM SERIES INSTALLATION INSTRUCTIONS



### Materials Required by Contractor:

- 90°C rated supply conductors
- 1 ½" hole saw
- T27 Torx bit (provided)



### Box Contains:

- 1 Light Fixture
- 4 Self-Tapping Screws



Fig.1

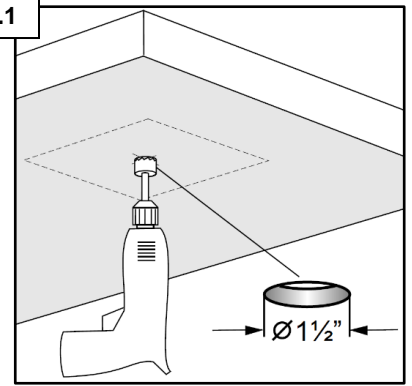
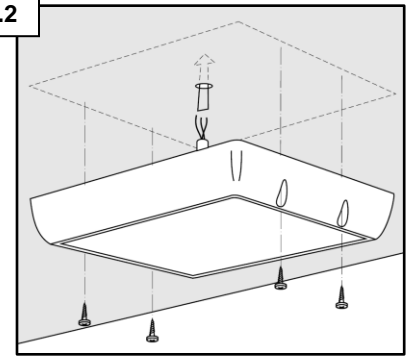


Fig.2



### Before Starting Work:

- Ensure that all electrical connections are not live! Take all steps necessary to make sure that electrical connections will not become live accidentally during installation. **Installation is to be completed by a qualified electrician only. Not thermally protected – not for installation on combustible or insulated surfaces.**



### Installation Steps:

1. Mark canopy with light fixture locations. At center point of where each light fixture is to be installed, drill a 1 ½" hole using a hole-saw (Fig.1).
2. From below, lift light fixture up to the canopy and push the wires through (to above the canopy). Use caution so that the wiring is not damaged. Center light fixture and position so that edges are parallel with canopy ribs. Affix the light fixture to the canopy using appropriate fasteners. It can be installed by drilling 4 self-tapping screws (provided) through mounting holes in fixture into the canopy (Fig.2), but other fastener types may be required in areas with high winds or where local codes prohibit self-tapping screws.
3. Connect light fixture to line voltage in compliance with local codes. Typical installation method is to attach a ¾" pipe nipple to the light fixture and attach a weatherproof junction box atop the nipple (both not included) (Fig.3). Electrical connections are typically made inside this junction box. Make electrical connections using 90°C rated supply conductors.
4. Gaskets on the back of the fixture should create a seal around any holes in the canopy. Apply additional sealant for water protection wherever conduit is attached and connections are made.

**Black = Live**

**White = Neutral**

**Green = Ground**

Fig.3

