



The PVT Series

UNIVERSAL SWIVEL MOUNT LED EDGE-LIT EXIT SIGN



PROJECT: _____
 FIXTURE TYPE: _____
 LOCATION: _____
 CONTACT/PHONE: _____



FEATURES

- Pivoting design for simple installation in any application, including wall, ceiling, sloped ceiling or recessed mounting
- Suitable for installation in existing drywall applications
- PVT-U option includes both single and double face panel configurations
- PVT-U option includes surface mounting canopy as well as bracket for recessed mounting applications
- Extruded aluminum housing with high-grade, acrylic panel
- Compact, low-profile snap-in design for ease of maintenance
- Maintenance-free NiCad battery or AC only configurations
- Mirror panel supplied as a standard on all double-faced signs
- UL 924 Listed 90 minute emergency run time, 24 hour recharge time
- Low-voltage disconnect eliminates deep discharge
- Optional Self-test/Self-diagnostics (SD) available
- Constant, uniform illumination by long-life, high-intensity, red or green LEDs
- Fully-illuminated 6" characters with 3/4" stroke
- Field selectable directional chevrons included for all configurations
- 120/277VAC Dual primary, 60Hz input
- Standard finishes: Brushed Aluminum, Black or White
- Suitable for Damp Location

PRODUCT DESCRIPTION

The Mule PVT Series LED Edge-lit Exit features a pivoting design for simple installation in any application, including surface and recessed wall, ceiling and sloped ceilings. Includes surface mounting canopy as well as hardware for recessed mounting applications, making this the most versatile Edge-lit sign available. The PVT-U option includes both single and double face configurations for easy ordering and stocking.

Any component that fails due to a manufacturing defect is guaranteed for three years with a separate two year pro-rated warranty on the battery. The warranty does not cover physical damage, abuse or instances of uncontrollable natural forces. See the full Mule Lighting warranty document for detailed information.



ORDERING INFORMATION

Series	Power Source	Panel	Mounting	Finish	Options (Factory Installed)
PVT-1 = Single Face	A = AC Only	Single Face	U = Surface	BA = Brushed Aluminum	SD ⁴ = Self-test/Self-diagnostics
PVT-2 = Double Face	B = With Battery	GC = Green Letters/Clear Panel	R = Recessed	WH = White	
PVT-U ¹ = Universal		RC = Red Letters/Clear Panel	S/R ³ = Universal		
PVT-UM ² = Universal		Double Face			
		GM = Green Letters/Mirror Panel			
		RM = Red Letters/Mirror Panel			
		Universal			
		G = Green			
		R = Red			
Accessories ⁵ (Field Installed)					
ER1-Kit = 1' Pendant Mount Kit					
ER2-Kit = 2' Pendant Mount Kit					
PVT-U-G-FP = Green Single Mirror Panel					
PVT-U-R-FP = Red Single Mirror Panel					
PVT-1-PENDANT-ADAPTER = Pendant Adapter					

Notes:
¹ Includes one single face clear and one double face mirrored panel in selected colors
² Includes one single face mirror and one double face mirror panel (Only available B and Red Legend)
³ S/R includes kits for surface & recessed mounting
⁴ Not available on PVT-U, PVT-UM or AC configurations
⁵ Order as separate line item

EXAMPLE: PVT-U-B-R-S/R-BA



The PVT Series

UNIVERSAL SWIVEL MOUNT LED EDGE-LIT EXIT SIGN



PROJECT: _____
 FIXTURE TYPE: _____
 LOCATION: _____
 CONTACT/PHONE: _____

CONSTRUCTION

Housing

Available in either a Brushed Aluminum or White finish.

Surface Mounting

Engineering grade aluminum extrusion with mounting canopy.

Recessed Mounting

Extruded aluminum housing supplied with galvanized steel adjustable bar hanger assembly.

Panels

Constructed of clear acrylic. Stencil letters are 6" high with 3/4" stroke, with minimum of 100' viewing distance rating as required by UL 924 standard. Double face panels are supplied with a mirror insert. Units are supplied with field-selectable directional chevrons for placement in all applications.

Illumination

High output red or green LEDs provide superior brightness. Energy consumption of less than 3 Watts for AC only and less than 5 Watts for battery back-up units. LEDs are a maintenance-free solution, providing up to 100,000 hours of use without failure.

ELECTRICAL

Input

Dual-voltage input 120/277VAC at 60Hz.

Nickel Cadmium Battery – NiCad (With Battery Only)

Mule Lighting NiCad batteries are maintenance-free and offer high discharge rates while continuing to perform in a vast temperature range from 32°F to 104°F (0°C to 40°C).

Low Voltage Disconnect

When the battery's terminal voltage falls below predetermined levels, the low voltage circuit disconnects the emergency lighting load. The disconnect remains in effect until normal power is restored, preventing deep battery discharge and improving the life of the battery. The disconnect will also automatically reconnect the load circuit once the battery voltage returns to a normal value after charging.

Test Button

Test button is easy to locate and allows for manual verification of proper operation of the transfer circuit and emergency lamps.

INSTALLATION

Surface Mounting

Completely universal canopy provides for end or ceiling mounting. All hardware is included.

Recessed Mounting

Recessed ceiling mount, accessible above the plenum. Electronics and battery contained in housing. Plug-in battery connector supplied for easy installation. All hardware is included.

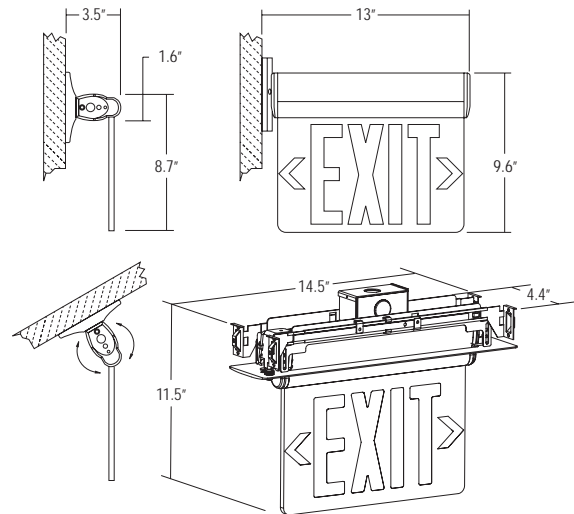
OPTIONS

Self-test/Self-diagnostics (Option: SD) The SD circuit continuously monitors the operating condition of the AC power, battery supply voltage and charging circuit. The purpose of this option is to provide visual signaling in response to a fault at the EXIT sign battery and/or battery charger. If a failure is detected, visual status will occur immediately via the dual color LED. Refer to instruction manual for detailed information. The Guardian circuit also monitors the transfer circuit as well as performing automatic code compliance testing.

CONFORMANCE TO CODES AND STANDARDS

The PVT Series is damp location rated, UL 924 listed and meets or exceeds the following: NEC requirements and NFPA 101.

DIMENSIONS



PENDANT ADAPTER

