



**FLICKER FREE**



## **Easily upgrade** to LED PANEL from fluorescent.

Topstar LED Panel Lights is designed and engineered for commercial applications. It is the ideal energy-efficient replacement for fluorescent fixtures in offices, schools, hospitals, healthcare and other applications that require slim installation depth.

### **Perfect for a wide range of applications**

- Perfect for applications with frequent “on/off” switching cycles
- Buildings that desire to be mercury free
- Ideal light emitting, building comfortable living, and working environment

### **Easy to experience**

- Instant on, no flash or buzz
- Compatible with a variety of popular 0-10V dimming switches for additional energy saving
- Optimized light distribution performance with translucent lens and crafted white frame
- Standard integrated driver enables slim installation depth
- Emits virtually no UV rays or IR
- Integrated J-box for fast and easy wiring
- 5-year limited warranty
- over 50% energy savings vs traditional fluorescent troffers
- Power Factor 0.9
- THD 15%

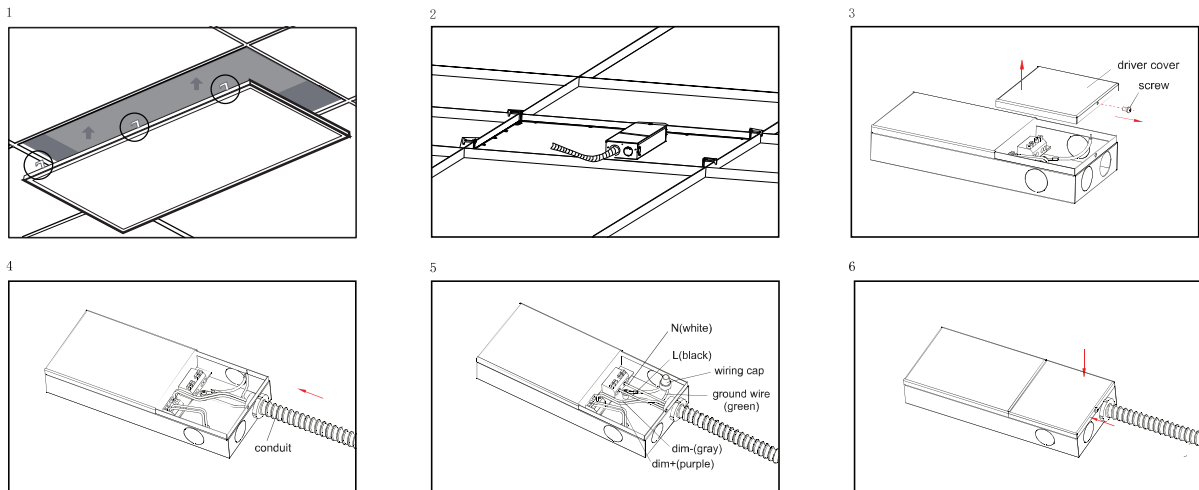
**Electrical and Technical Data (subject to change without notice)**

| Ordering Code        | Power (W) | Initial Lumen | Input Voltage | CRI | Color Temp. | Rated Average life | Dimmable | Viewing Angle |
|----------------------|-----------|---------------|---------------|-----|-------------|--------------------|----------|---------------|
| S2x2P-8YY-30P-M1-NFD | 30        | 3750          | AC120-277V    | >80 | 4000K/5000K | 50,000             | 0-10V    | 160           |
| S2x4P-8YY-40P-M1-NFD | 40        | 5500          | AC120-277V    | >80 | 4000K/5000K | 50,000             | 0-10V    | 160           |

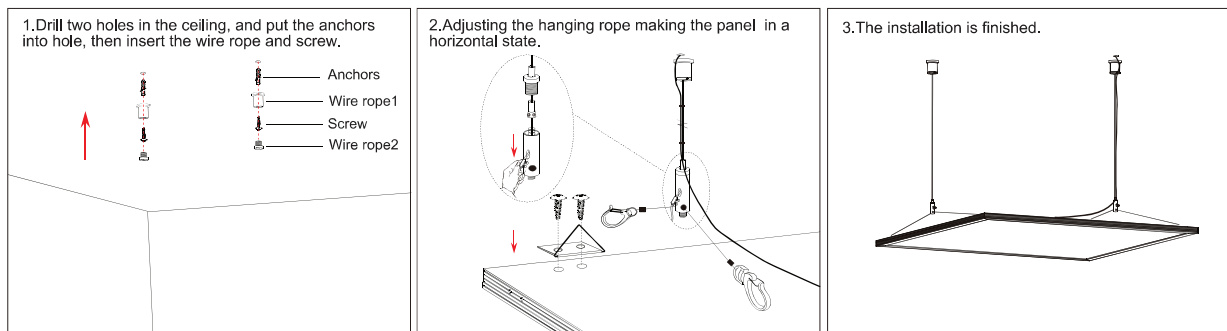
\* Initial lumen output value above is @ 4000K

**LED PANEL 2X2' & 2X4' INSTALLATION**

1. Make sure the POWER IS TURNED OFF at the source to the location at which you are installing the product.
2. Remove existing panel if applicable.
3. Before installing the panel in the ceiling, pull up the safety hooks on the back of the fixture (four hooks on 2x2', six hooks on 2x4'). (fig. 1)
4. Insert the panel into the ceiling so it rests securely on the T-grid. Twist each safety hook 90° so they extend over the T-grid on both sides of the fixture. (fig. 2)
5. Unscrew and remove the conduit plate from the driver box. (fig. 4)
6. Insert power supply using appropriate electrical fittings. Insert black wire (line) from the power supply into the wiring terminal marked with L. Insert the white wire (neutral) from the power supply into the wiring terminal marked with N. Connect the green wires (ground) together. (fig. 5)
7. For 0-10V dimming circuits, wire the grey (-) and purple (+) wires to the corresponding wiring terminals marked with DIM – and DIM +. (fig. 5)
8. Reattach conduit plate to driver box after wiring.
9. Return power back to the source and installation is complete. (fig. 6)



**Suspension kit Installation**



**Note: 2\*2ft: 2 pcs suspension kits needed for installation.**