

## LED 6" COMMERCIAL RECESSED RETROFIT DOWNLIGHT

RR6 SERIES



### PRODUCT DESCRIPTION:

The commercial-grade LED Recessed Downlight Retrofit is supplied with a quick connect-case and conduit to make an easy connection to an existing recessed fixture frame junction box.

### FEATURES:

- Universal voltage (120-277)
- Mounts into existing recessed frame
- Supplied with optional retaining clips if existing frame does not have adequate friction springs to secure reflector
- cETL listed for damp location use
- CRI: > 80
- PF: >.9
- A wide variety of CCTs available: 3000K and 4000K come standard; 2700K and 5000K by special order
- Five year limited warranty
- Dimmable to 5% (120v only)

### CONSTRUCTION:

- Supplied with a heavy gauge anodized aluminum reflector in a haze finish
- External driver for easy retrofit and maintenance
- Power supply features integral thermal protection
- Optional extended trim rings available to conceal imperfections in drywall openings



Scan the QR code with a smartphone to view the installation video or visit the following link: <http://bit.ly/ledcrdr>

MODEL SELECTION (Full list of order codes on pg. 3)		Typical order example: RR62330W			
RR	6			W	/V2*
FAMILY	SIZE	WATTAGE (NOMINAL)	CCT	TRIM	
RR= Commercial Recessed Retrofit Downlight	6= 6"	15= 15W 23= 23W 30= 30W	27= 2700K 30= 3000K 40= 4000K	W= White	/V2*

\*V2 only pertains to the 15W product

### COMPATIBLE DIMMERS:

MAKE	DIMMER MODEL
Lutron	CTCL-153PD*
Lutron	DVCL-153PL*
Lutron	CTELV-303P
Lutron	LGCL-153PL*
Leviton	IPI10

\* Dimming control should be adjusted to 5% minimum light output level in order to avoid flickering. Please consult dimming control Instruction manual for specific procedure.

ACCESSORIES			
ORDER CODE	MODEL NUMBER	DESCRIPTION	ACCESSORIES IMAGE
72832	RR6-XWHTRING	6" White trim ring	
74087	RR6-BNRING	6" Brushed nickel trim ring	

**SPECIFICATIONS:**

ITEM	SPECIFICATION	RR61527W/V2	RR61530W/V2	RR61540W/V2	RR62330W	RR62340W
		DETAILS			DETAILS	
<b>GENERAL PERFORMANCE</b>	Power Consumption (W)	14.0	14.0	14.0	23.0	23.0
	Lumens Delivered (lm)	800	825	910	1725	1790
	Efficacy (lm/W)	58	59	65	75	78
	Color Temperature	2700K	3000K	4000K	3000K	4000K
	L70 Lifetime (hours)	50,000				
	CRI	> 80				
	Color Consistency	Proprietary binning for uniform color				
<b>ELECTRICAL</b>	Power Factor	.90				
	Input Voltage	120-277V standard				
	Compatible Dimmers	Lutron CTCL-153PD, DVCL-153PL, CTELV-303P, DVELV-303P, LGCL-153PL; Leviton IPI10				
<b>PHYSICAL</b>	Weight	2.4 lbs				
	Mounting	Mounts into existing recessed frame				
	Operating Temperature	0° – 104° F				
	Humidity	20% - 85% RH, non-condensing				
<b>CERTIFICATION</b>	Certification	Energy Star, FCC, LM-79, LM-80, ETL				
	Material Usage	RoHS compliant; no mercury				
	Environment	Indoor				
	Warranty	5 years				

**SPECIFICATIONS:**

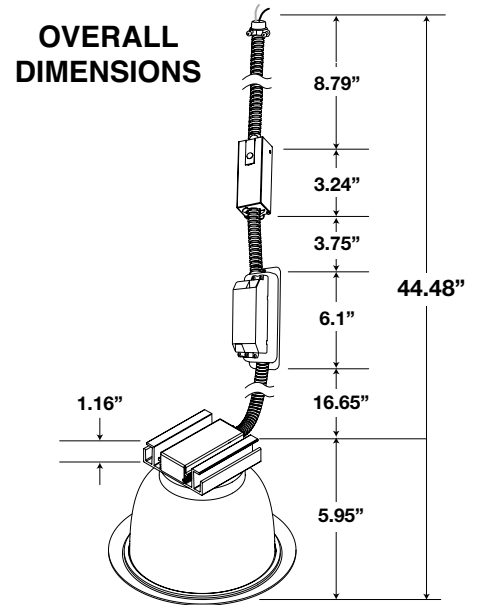
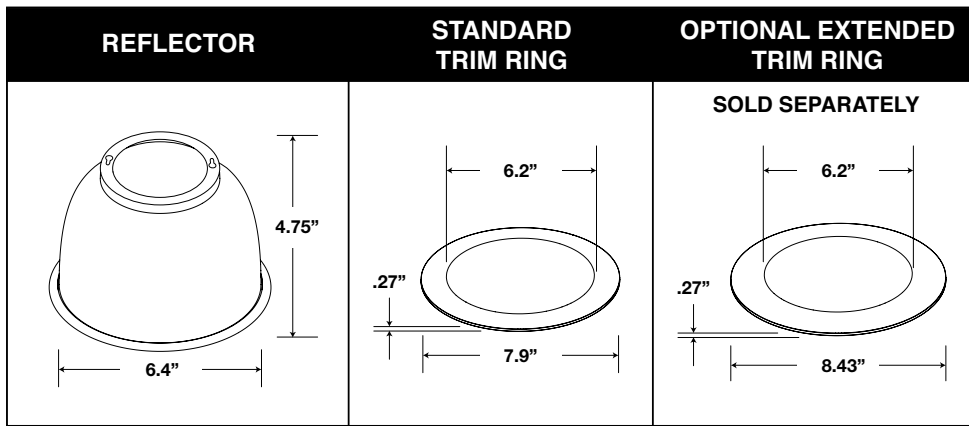
ITEM	SPECIFICATION	RR63030W	RR63040W
		DETAILS	
<b>GENERAL PERFORMANCE</b>	Power Consumption (W)	30.0	30.0
	Lumens Delivered (lm)	2250	2525
	Efficacy (lm/W)	75	84
	Color Temperature	3000K	4000K
	L70 Lifetime (hours)	50,000	
	CRI	> 80	
	Color Consistency	Proprietary binning for uniform color	
<b>ELECTRICAL</b>	Power Factor	.90	
	Input Voltage	120-277V standard	
	Compatible Dimmers	Lutron CTCL-153PD, DVCL-153PL, CTELV-303P, DVELV-303P, LGCL-153PL; Leviton IPI10	
<b>PHYSICAL</b>	Weight	2.4 lbs	
	Mounting	Mounts into existing recessed frame	
	Operating Temperature	0° – 104° F	
	Humidity	20% - 85% RH, non-condensing	
<b>CERTIFICATION</b>	Certification	FCC, LM-79, LM-80, ETL	
	Material Usage	RoHS compliant; no mercury	
	Environment	Indoor	
	Warranty	5 years	

**ORDERING\*:**

ORDER CODE	MODEL	WATTAGE	CCT	VOLTAGE
101645	RR61527W/V2	15	2700K	120-277V
101646	RR61530W/V2	15	3000K	
101647	RR61540W/V2	15	4000K	
74039	RR62330W	23	3000K	
74040	RR62340W	23	4000K	
74041	RR63030W	30	3000K	
74042	RR63040W	30	4000K	

\*Please contact your MaxLite representative to order products that don't have order codes listed here.

**PRODUCT FEATURES:**



**PRODUCT FEATURES**

