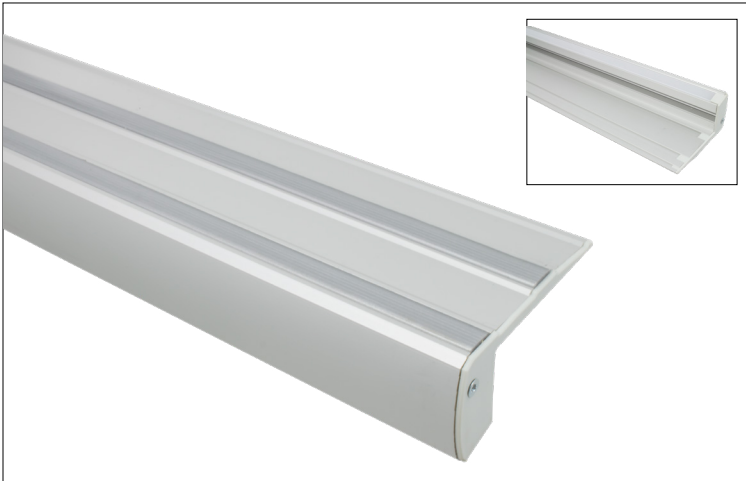


PROJECT: TYPE:

LOCATION: CAT:



Description

The Step extrusion provides stair lighting along with two channels with rubber grip strips for anti-slip safety. The riser lighting feature can hold all Trulux tape light types excluding RGB+WW.

Features

- Extruded aluminum construction
- Use tape light, lens, end caps, and other accessories to create a complete fixture (tape light and accessories sold separately)

Mounting

The Step extrusion can be adhered to square edge steps and stairs with construction adhesive and/or screws. If using screws, remove the rubber grip strip and drill through the extrusion; use PE-STEP-TOOL to put the rubber grip strip back in place.

Applications

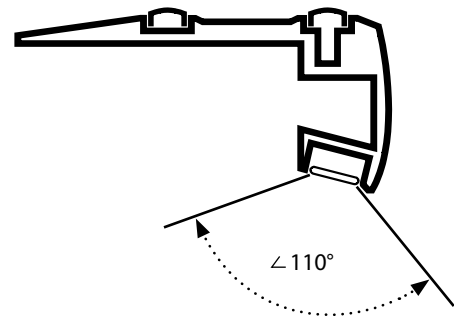
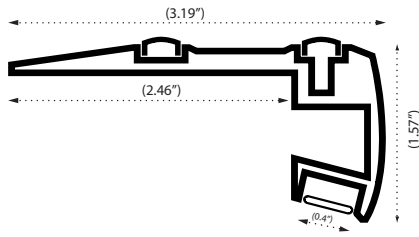
Step, stair, and other riser locations

Warranty

3 years

Technical Information

Profile Dimensions



Ordering Information

Step Extrusion

MODEL	TYPE	LENGTH
PE	STEP	1M

PE-STEP-1M includes:
(1) 1M Step Aluminum extrusion

*Step Extrusion is available as special order only
Please allow up to 2 weeks for order processing.

Accessories

Image	Part Number	Description
	PE-UVLENS-1M	1 meter frosted polycarbonate lens for Step extrusion; UV Resistant/Flame Retardant
	PE-STEP-GRIP	Rubber grip strip for use in Step extrusion
	PE-STEP-RIGHT	Polypropylene plastic end cap for right side of Step extrusion
	PE-STEP-LEFT	Polypropylene plastic end cap for left side of Step extrusion
	PE-STEP-TOOL	Tool to assist in removing/adding rubberized grip strip