

PROJECT:  TYPE:

LOCATION:  CAT:



**Description**

The Paver extrusion is designed for deeper recessed applications and can be used in drive-over areas. When fully sealed with neutral cure silicone sealant, the Paver can be used in outdoor recessed lighting applications as well.

**Features**

- Extruded aluminum construction
- Use tape light, lens, and end caps to create a complete fixture (tape light and accessories sold separately)

**Mounting**

Recess mount via construction adhesive, frost resistant/elastic ceramic glue, or mortar cement (For in-ground installations or for areas with exposure to moisture or heavy loads, special order products may be needed such as polystyrene foam board, sealants, or adhesives; please consult a professional installer)

**Applications**

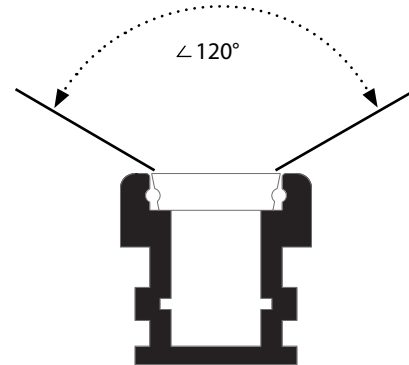
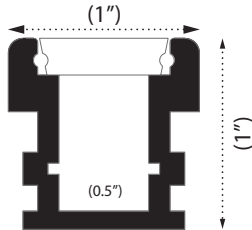
Recessed applications, drive-over areas, outdoor malls, parking lots

**Warranty**

3 years

## Technical Information

Profile Dimensions



## Ordering Information

Paver Extrusion



**PE-PAVER-1M includes:**  
(1) 1M Paver extrusion

## Accessories

| Image | Part Number     | Description   |
|-------|-----------------|---|
|       | PE-PAVERLENS-1M | 1 meter frosted polycarbonate lens for Helm extrusion; UV Resistant/Flame Retardant; Must be siliconed in place |
|       | PE-PAVER-END    | Polypropylene plastic end cap for Paver extrusion   |
|       | PE-PAVER-FEED   | Polypropylene plastic end cap with hole for wire feed for Paver extrusion                                       |