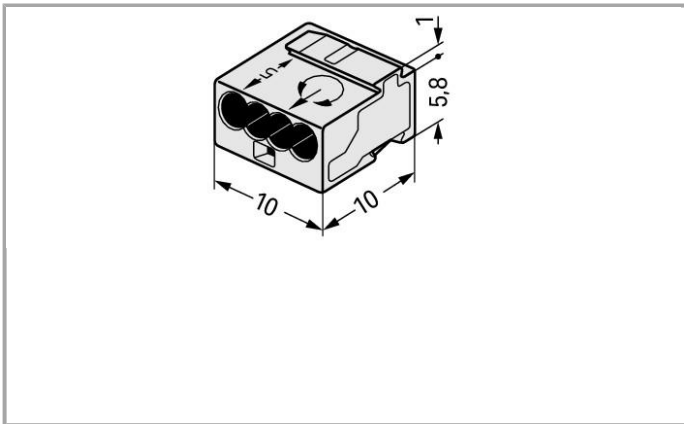


Data sheet | Item number: 243-304

MICRO PUSH WIRE® connector for junction boxes; 4-conductor; AWG 22 - 18 solid; light gray

[www.wago.com/243-304](http://www.wago.com/243-304)



#### Data

##### Connection data

Total number of connection points	4
Total number of potentials	1
Type of wiring	Side-entry wiring

##### Approvals / Certificates

##### Country specific Approvals


Logo	Approval	Certificate name
	CSA DEKRA Certification B.V.	70048857

## Compatible products

### General accessories

	<b>Item no.: 243-112</b> Mounting carrier; for 243 series connectors (4); orange	<a href="http://www.wago.com/243-112">www.wago.com/243-112</a>
	<b>Item no.: 243-113</b> Mounting carrier; for 243 series connectors (6); orange	<a href="http://www.wago.com/243-113">www.wago.com/243-113</a>
	<b>Item no.: 249-130</b> Syringe; Contents: 20 ml Alu-Plus contact paste	<a href="http://www.wago.com/249-130">www.wago.com/249-130</a>

### Marking accessories

	<b>Item no.: 210-332/575-103</b> Marking strips; as a DIN A4 sheet; MARKED; 1-12 (160x); Height of marker strip: 3 mm; Strip length 182 mm; Horizontal marking; Self-adhesive	<a href="http://www.wago.com/210-332/575-103">www.wago.com/210-332/575-103</a>
--	--	--

## Downloads

### Documentation

#### Bid Text

243-304	Oct 10, 2017	DOC 25.6 kB	Download
---------	--------------	----------------	----------

### CAD files

#### CAD data

3D Download 243-304	URL	Download
---------------------	-----	----------

Subject to changes.

WAGO Corporation  
Germantown, WI 53022  
32423 Minden  
Phone: +49571 887-0 | Fax: (262) 255-6222  
Email: [info.us@wago.com](mailto:info.us@wago.com) | Web: [www.wago.com](http://www.wago.com)

Do you have any questions about our products?  
We are always happy to take your call at {0}.