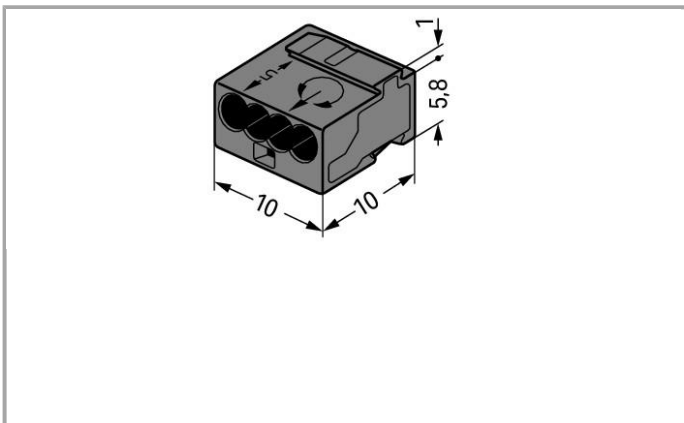


Data sheet | Item number: 243-204

MICRO PUSH WIRE® connector for junction boxes; 4-conductor; AWG 22 - 18 solid; dark gray

www.wago.com/243-204



Data

Connection data

Total number of connection points	4
Total number of potentials	1
Type of wiring	Side-entry wiring


Material Data

Color	dark gray
-------	-----------

Weight 0.77 g


Approvals / Certificates

Country specific Approvals




Logo	Approval	Certificate name
	CSA DEKRA Certification B.V.	70048857

Compatible products

Marking accessories

	Item no.: 210-332/575-103 Marking strips; as a DIN A4 sheet; MARKED; 1-12 (160x); Height of marker strip: 3 mm; Strip length 182 mm; Horizontal marking; Self-adhesive	www.wago.com/210-332/575-103
--	--	--

General accessories

	Item no.: 243-112 Mounting carrier; for 243 series connectors (4); orange	www.wago.com/243-112
	Item no.: 243-113 Mounting carrier; for 243 series connectors (6); orange	www.wago.com/243-113
	Item no.: 249-130 Syringe; Contents: 20 ml Alu-Plus contact paste	www.wago.com/249-130

Downloads

Documentation

Bid Text

243-204	Oct 10, 2017	DOC 25.6 kB	Download
---------	--------------	----------------	----------

CAD files

CAD data

3D Download 243-204	URL	Download
---------------------	-----	----------



Subject to changes.

WAGO Corporation
Germantown, WI 53022
32423 Minden
Phone: +49571 887-0 | Fax: (262) 255-6222
Email: info.us@wago.com | Web: www.wago.com

Do you have any questions about our products?
We are always happy to take your call at {0}.