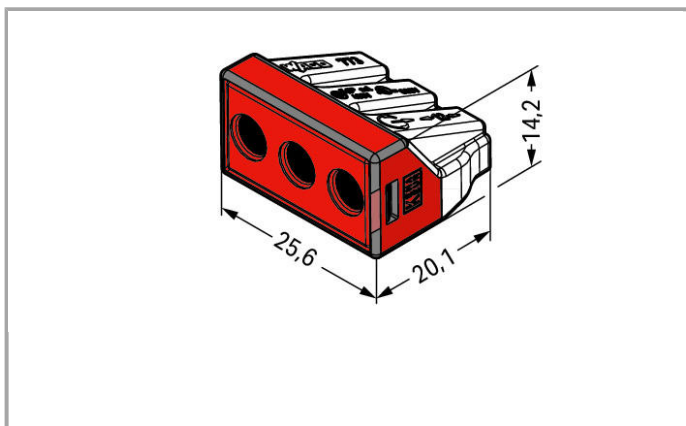
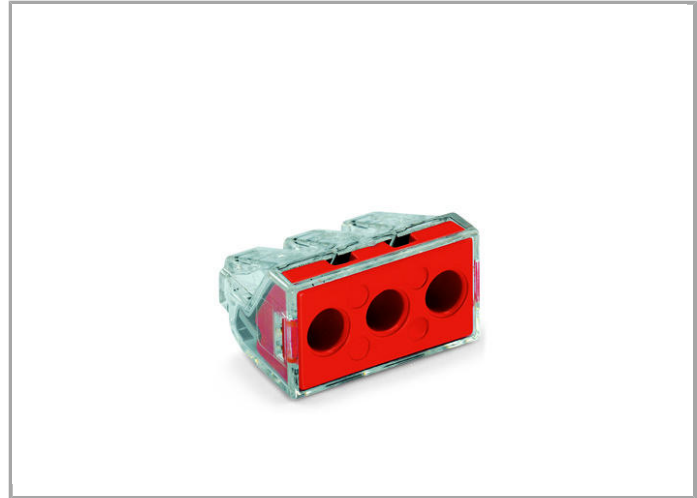


Data sheet | Item number: 773-173

PUSH WIRE® connector for junction boxes; 3-conductor; AWG 10;
transparent housing; red face



www.wago.com/773-173



Data

Electrical data

Ratings per IEC/EN 60664-1

Rated voltage (II / 2)	400 V
Rated impulse voltage (II / 2)	4 kV
Rated current	41 A

Legend (ratings)

(II / 2) \triangleq Overvoltage category II / Pollution degree 2

Connection data

Connection technology	PUSH WIRE®
Actuation type	Push-in
Connectable conductor materials	Copper
Solid conductor	2.5 ... 6 mm ² / 14 ... 10 AWG
Stranded conductor	2.5 ... 6 mm ² / 14 ... 10 AWG
Strip length	12 ... 13 mm / 0.47 ... 0.51 Inch
Total number of connection points	3
Total number of potentials	1
Type of wiring	Side-entry wiring

Geometrical Data

Width	25.6 mm / 1.008 inch
Height	14.2 mm / 0.559 inch
Depth	20.1 mm / 0.791 inch

Material Data

Color	transparent
Cover color	red
Flammability class per UL94	V2
Fire load	0.115 MJ
Weight	5.76 g

Environmental Requirements

Surrounding air (operating) temperature	60 °C
Continuous operating temperature up to	105 °C

Commercial data

Country of Origin	CN
GTIN	4050821215141

Approvals / Certificates

Country specific Approvals

Logo	Approval	Certificate name
	CSA DEKRA Certification B.V.	1053495



ENEC 15
UL International Germany GmbH

ENEC-01207

Ship Approvals

Logo	Approval	Certificate name
	ABS American Bureau of Shipping	15-HG1419918-PDA

UL-Approvals

Logo	Approval	Certificate name
	UL UL International Germany GmbH	E69654

Compatible products

Mounting adapter



Item no.: 773-332
Mounting carrier; 773 series PUSH WIRE® connectors for junction boxes; orange www.wago.com/773-332

General accessories



Item no.: 249-130
Syringe; Contents: 20 ml Alu-Plus contact paste www.wago.com/249-130

Downloads

Documentation

Bid Text

773-173	Oct 19, 2017	DOC 25.6 kB	Download
---------	--------------	----------------	----------

CAD files

CAD data

3D Download 773-173	URL	Download
---------------------	-----	----------



Subject to changes.

WAGO Corporation
Germantown, WI 53022
32423 Minden
Phone: +49571 887-0 | Fax: (262) 255-6222
Email: info.us@wago.com | Web: www.wago.com

Do you have any questions about our products?
We are always happy to take your call at {0}.