

Data sheet | Item number: 773-108

PUSH WIRE® connector for junction boxes; 8-conductor; bulk packaging;
transparent housing; dark gray face



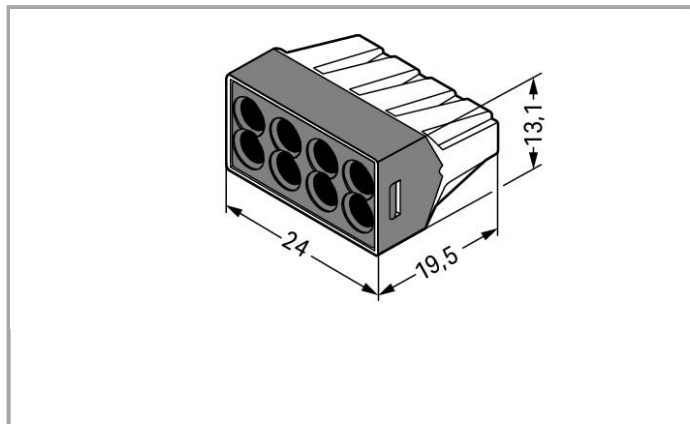
www.wago.com/773-108



RoHS
Compliant ✓

[BOMcheck.net](https://www.bomcheck.net)

Color: ■



Data

Electrical data

Ratings per IEC/EN 60664-1

Rated voltage (II / 2)	400 V
Rated impulse voltage (II / 2)	4 kV
Rated current	24 A
Legend (ratings)	(II / 2) ≙ Overvoltage category II / Pollution degree 2

Connection data

Connection technology	PUSH WIRE®
Actuation type	Push-in
Connectable conductor materials	Copper Aluminum
Solid conductor	0.75 ... 2.5 mm ² / 18 ... 12 AWG
Stranded conductor	1.5 ... 2.5 mm ² / 16 ... 12 AWG
Strip length	12 mm / 0.47 Inch
Total number of connection points	8
Total number of potentials	1
Type of wiring	Side-entry wiring

Geometrical Data

Width	24 mm / 0.945 inch
Height	13.1 mm / 0.516 inch
Depth	19.5 mm / 0.768 inch

Material Data

Color	dark gray
Cover color	dark gray
Flammability class per UL94	V2
Fire load	0.099 MJ
Weight	4.605 g

Environmental Requirements

Surrounding air (operating) temperature	60 °C
---	-------

Commercial data

Country of Origin	CN
GTIN	4044918397735
Product Group	7 (Push Wire Conn.)

Compatible products

General accessories



Item no.: 249-130

Syringe; Contents: 20 ml Alu-Plus contact paste

www.wago.com/249-130

Mounting adapter



Item no.: 773-332

Mounting carrier; 773 series PUSH WIRE® connectors for junction boxes; orange

www.wago.com/773-332

Downloads

CAD files

CAD data

	URL	Download
3D Download 773-108		

Subject to changes.