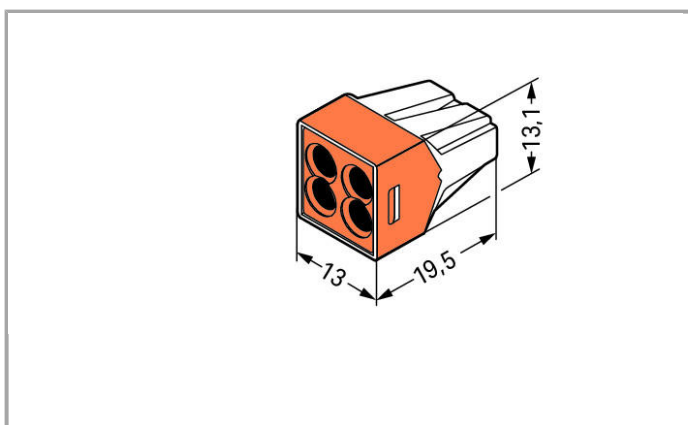


Data sheet | Item number: 773-104

PUSH WIRE® connector for junction boxes; 4-conductor; bulk packaging;
transparent housing; orange face



www.wago.com/773-104



Data
Electrical data



Ratings per IEC/EN 60664-1

Rated voltage (II / 2)	400 V
Rated impulse voltage (II / 2)	4 kV
Rated current	24 A
Legend (ratings)	(II / 2) $\hat{=}$ Overvoltage category II / Pollution degree 2

Connection data

Connection technology	Push-in CAGE CLAMP [®]
Actuation type	Push-in
Connectable conductor materials	Copper Aluminum
Solid conductor	0.75 ... 2.5 mm ² / 18 ... 12 AWG
Stranded conductor	1.5 ... 2.5 mm ² / 16 ... 12 AWG
Strip length	12 mm / 0.47 Inch
Total number of connection points	4
Total number of potentials	1
Type of wiring	Side-entry wiring

Geometrical Data

Width	13 mm / 0.512 inch
Height	13.1 mm / 0.516 inch
Depth	19.5 mm / 0.768 inch

Material Data

Color	orange
Cover color	orange
Flammability class per UL94	V2
Fire load	0.056 MJ
Weight	2.511 g

Environmental Requirements

Surrounding air (operating) temperature	60 °C
---	-------

Commercial data

Country of Origin	CN
GTIN	4044918397629
Product Group	7 (Push Wire Conn.)

Compatible products

General accessories



Item no.: 249-130

Syringe; Contents: 20 ml Alu-Plus contact paste

www.wago.com/249-130

Mounting adapter



Item no.: 773-332

Mounting carrier; 773 series PUSH WIRE® connectors for junction boxes; orange

www.wago.com/773-332

Subject to changes.