

# FLUORESCENT VAPOR TIGHT VTS



## VAPOR TIGHT STRIP Series

VTS

### DESCRIPTION

The VTS series is a gasketed enclosure luminaire that provides maximum light output with durable construction. It is ideal for both interior and exterior areas that have cold and moist conditions. The primary benefits of this fixture are trouble-free access to ballast and wiring, various mounting options, and stainless steel latches enhancing a firm seal. Available lengths are 4' and 8' with 1, 2, and 4 lamps.

### APPLICATION

Primary applications include chilled storage and manufacturing facilities, food processing areas, parking garages, and outdoor overhangs.

### SPECIFICATION FEATURES

#### Construction

The gasketed enclosures are made of a fiberglass body and a high impact acrylic lens. The lens is positioned to provide a continuous secure seal of the upper body slot. The lamps and ballast are held on a gear tray.

#### Mounting

The Vapor Tight series is ideally suited for surface, or suspension mounting with optional wire hook and chain set or cable mounting.

#### Electrical

Ballasts are Class "P" and are positively secured by mounting bolts. Pressure-lock lampholders. UL/CUL listed. Suitable for damp locations.

#### Stainless Steel Latch

The general purpose is to secure the lens to the fixture body. Latches allow for toolless access to the lamps and ballast

#### Warranty

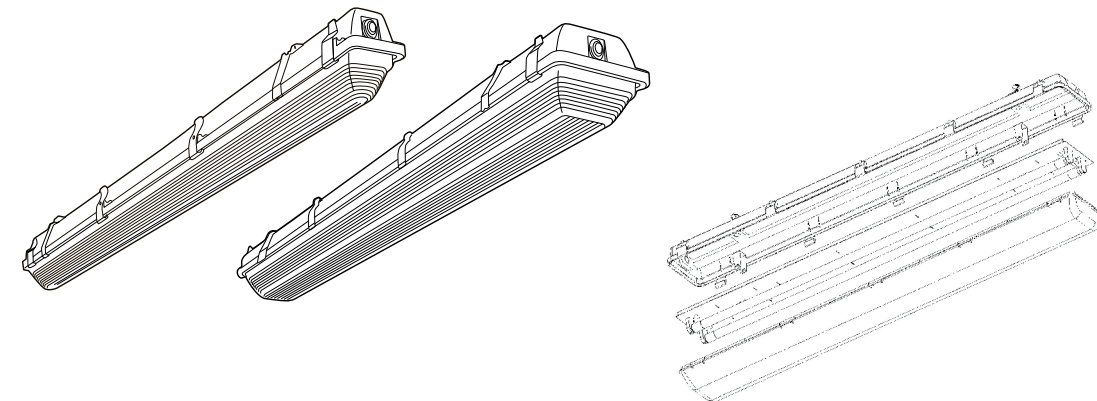
3 year warranty for the fixture and 5 year warranty for the ballast.

ORDER NO.	
NOTES	TYPE
PROJECT	



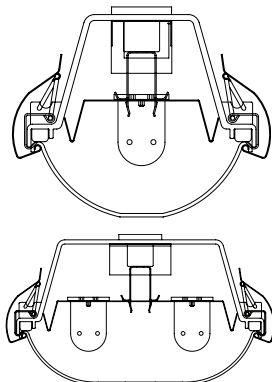
## VTS

VTS  
132, 232, 432  
154, 254, 454

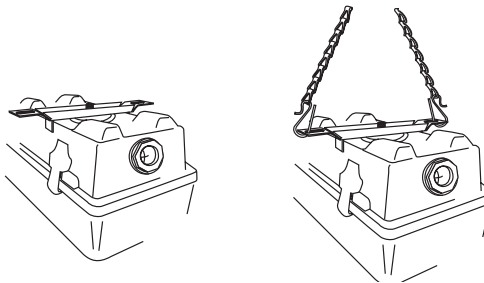


1, 2 or 4 T8 LAMPS,  
1, 2 or 4 T5 LAMPS  
Gasket Fluorescent  
Enclosure Strip

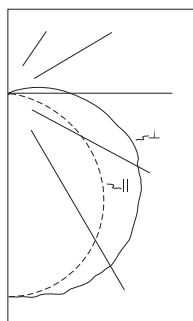
### LAMP CONFIGURATION



### ALTERNATIVE MOUNTING



PHOTOMETRICS



VTS4-232-UNV-ISN

(1) Electronic Ballasts  
 (2) 32WT8 lamps  
 2850 lumens  
 Spacing criterion:  
 (II) 1.3 x mounting  
 height, (⊥) 1.5 x  
 mounting height  
 Efficiency 77.4%

Candelpower

Angle	Along II	45°	Across
0	1103	1103	1103
5	1097	1108	1107
10	1083	1107	1106
15	1059	1091	1127
20	1025	1089	1113
25	983	1058	1098
30	932	1035	1088
35	870	991	1052
40	801	952	1024
45	725	892	971
50	640	831	920
55	548	753	878
60	451	683	814
65	352	611	771
70	251	550	698
75	155	471	592
80	77	367	513
85	28	290	427
90	6	217	342

Coefficients of Utilization

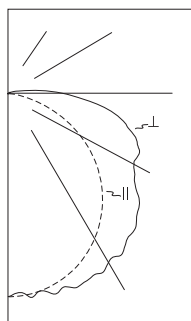
rc	Effective floor cavity reflectance																		
	80%				70%				20%										
rw	70	50	30	10	70	50	30	10	50	30	10	50	30	10	0				
RCR	0	91	91	91	91	89	89	89	89	84	84	84	79	79	79	75	75	75	73
1	82	78	74	70	79	75	72	69	71	68	66	67	65	63	64	62	60	58	
2	74	67	61	56	71	65	60	55	61	57	53	58	54	51	55	52	49	47	
3	67	58	52	46	65	57	51	46	54	49	44	51	47	43	49	45	42	40	
4	61	51	44	39	59	50	43	38	48	42	37	45	40	36	43	39	35	33	
5	56	45	38	32	54	44	37	32	42	36	31	40	34	30	38	33	30	28	
6	51	40	33	28	49	39	32	27	37	31	27	36	30	26	34	29	26	24	
7	47	36	29	24	45	35	28	23	33	27	23	32	27	23	30	26	22	20	
8	43	32	25	20	42	31	25	20	30	24	20	29	23	19	27	23	19	17	
9	40	29	22	17	38	28	22	17	27	21	17	26	20	17	25	20	16	15	
10	37	26	20	15	36	26	19	15	24	19	15	23	18	15	22	18	14	13	

Zonal Lumen Summary

Zone	Lumens	%Lamp	%Fixture
0-30	899	15.8	20.4
0-40	1512	26.5	34.3
0-60	2847	49.9	64.5
0-90	4169	73.1	94.5
0-180	4413	77.4	100.0

Luminance Data

Angle in Deg	Average 0-Deg cd/sm	Average 45-Deg cd/sm	Average 90-Deg cd/sm
45	5519	7213	7212
55	5083	6756	7098
65	4347	6377	7074
75	3001	6097	6510
85	1349	5151	6092



VTS4-254-UNV-ISN

(1) Electronic Ballasts  
 (2) 54WT5 lamps  
 4400 lumens  
 Spacing criterion:  
 (II) 1.2 x mounting  
 height, (⊥) 1.5 x  
 mounting height  
 Efficiency 69.7%

Candelpower

Angle	Along II	45°	Across
⊥	1546	1546	1546
0	1540	1525	1533
5	1519	1548	1525
10	1483	1514	1546
15	1436	1509	1566
20	1375	1487	1530
25	1300	1446	1509
30	1215	1396	1502
35	1118	1315	1425
40	1012	1267	1384
45	896	1174	1308
50	770	1081	1179
55	634	954	1107
60	496	827	1101
65	352	771	1044
70	219	704	936
75	113	578	807
80	47	432	614
85	13	285	431
90			

Coefficients of Utilization

rc	Effective floor cavity reflectance																		
	80%				70%				20%										
rw	70	50	30	10	70	50	30	10	50	30	10	50	30	10	0				
RCR	0	82	82	82	82	80	80	80	80	76	76	76	72	72	72	69	69	69	67
1	74	70	66	63	72	68	65	62	65	62	59	61	59	57	58	57	55	53	
2	66	60	55	50	64	58	54	49	55	51	48	53	49	46	50	47	45	43	
3	60	52	46	41	58	51	45	41	49	44	40	46	42	39	44	41	38	36	
4	55	46	40	35	53	45	39	34	43	38	33	41	36	33	39	35	32	30	
5	50	40	34	29	48	40	33	29	38	32	28	36	31	27	34	30	27	25	
6	46	36	29	25	44	35	29	24	34	28	24	32	27	24	31	26	23	22	
7	42	32	26	21	41	32	25	21	30	25	21	29	24	20	28	23	20	18	
8	39	29	23	18	38	28	22	18	27	22	18	26	21	17	25	20	17	16	
9	36	26	20	16	35	25	19	15	24	19	15	23	18	15	22	18	15	13	
10	33	23	18	14	32	23	17	14	22	17	13	21	17	13	20	16	13	12	

Zonal Lumen Summary

Zone	Lumens	%Lamp	%Fixture
0-30	1253	14.2	20.4
0-40	2112	24.0	34.4
0-60	3985	45.3	64.9
0-90	5908	67.1	96.3
0-180	6137	69.7	100.0

Luminance Data

Angle in Deg	Average 0-Deg cd/sm	Average 45-Deg cd/sm	Average 90-Deg cd/sm
45	7704	10245	10279
55	7142	9700	9531
65	6126	8631	10102
75	4240	9114	10293
85	2265	7674	8760

ORDERING INFORMATION

SAMPLE NUMBER: VTS4-232-UNV-ISN

**Series:**  
 VTS= Vapor Tight Strip

**Fixture Nominal Length:**  
 4 = 4 ft. (48")  
 8 = 8 ft. (96")

**Number of Lamps**  
 1 = 1 Lamps  
 2 = 2 Lamps  
 4 = 4 Lamps  
 (not included)

**Individual Lamp Wattage**  
 32 = 32W T8  
 54 = 54W T5/HO

**Voltage**  
 UNV = Universal  
 Voltage 120-277V

**Ballast Starting Method**  
 IS = Instant Start  
 PS = Programmed Start

**Ballast Factor**  
 N = Normal (Standard)  
 L = Low  
 H = High

**Ballast Type**  
 (Blank) = T8 Electronic, Fixed Output, THD < 10%  
 DT = T8 Electronic, Step-Dimming  
 DC = T8 Electronic, Continuous-Dimming

Specifications and dimensions subject to change without notice. Consult your New Earth Lighting Representative for availability and ordering.