

ULTRA Light Disk LED

Recessed and Surface Mount Downlight Kit



The SYLVANIA ULTRA Light Disk is an LED downlight kit creating high performing white light and is optimized for new construction and retrofit applications. Multiple installation options for both recessed and surface mount applications. Installation is done quickly and easily in most standard four-inch, five-inch and six-inch Insulated Ceiling (IC) housings, Airtight (AT) housings and non-IC housings. It can also be surface mounted to standard 4-inch J-Box or using specially designed Connector Box.

Dimming

The SYLVANIA ULTRA Light Disk is dimmable to 20% with standard 120V electronic low voltage dimmers (recommended), incandescent or magnetic low voltage dimmers. In some cases, standard incandescent dimmers require a minimum load of typically >40 watts on the circuit for full range dimming performance (four LED modules). For dimming with digital (smart) multi-location dimmers or when dimming fewer than four LED modules, electronic low-voltage (ELV) dimmers are required (some ELV dimmers need a neutral connection in the wallbox).

Application Information

Applications

- Healthcare
- Hospitality
- Office
- Property Management
- Residential
- Retail

Key Features & Benefits

- Lumen package:
 - 900 lumens @ 13 watts
 - 1100 lumens @ 13 watts
- Replacement for up to 120W incandescent lamps
- Fits into most 4", 5" and 6" recessed downlight fixtures
- Surface mount to standard 4" J-Box or using Connector Box
- CCT: 3000K, 5000K
- CRI of 90
- Dimmable down to 20%*
- 50,000 hours life (L₇₀)
- Suitable for dry, damp and wet locations
- Reduces energy consumption up to 87%
- Lasts up to 25 times longer than incandescent lamps
- No warm-up time, instant-on with full light output and stable lamp to lamp color
- Integrated white trim and medium base for direct replacement
- Suitable for use in closets, compliant with NFPA 70, NEC section 410.16 (A)(3) and 410.16 (C)(5)

Quality of Light

The SYLVANIA ULTRA Light Disk provides good color rendering (90 CRI), and color temperatures of 3000K and 5000K. LEDs have virtually no UV or infrared radiation to damage or fade furnishings, art or other objects.

Optical Design

Optical design efficiently directs light output in an 120° beam angle with low glare.

* Performance may vary depending on dimmer use in application. Please refer to Dimmer Compatibility List (RETRO-DIM) for a list of compatible dimmers or visit www.sylvania.com/LightDisk

Product Offering

Lumen Output	Wattage	Color Temperature	CRI
900	13	3000K	90
1100	13	5000K	90

Specifications and Certifications



Specification Data

Catalog #	Type
Project	
Comments	
Prepared by	

Specifications

Energy Data

Minimum Starting Temp: -20°C (-4°F)
 EMI/RFI: FCC Title 47 CFR, Part 15, Class B
 Sound Rating: <24dBA
 Input Voltage: 120V
 Input Frequency: 60Hz
 Power Factor: >0.90
 THD: <20%

Input Power: 13W
 Input Current: 0.08A & 0.1A
 Maximum Ambient Operating Temperature (Insulated Ceiling): 40°C (104°F)
 Maximum Ambient Operating Temperature (Non-Insulated Ceiling): 40°C (104°F)

Lighting Data

Lumen Output: 900, 1100
 Wattage: 13
 Lumens per Watt: 84

Color

Correlated Color Temperature (CCT): 3000K, 5000K
 Color Rendering Index (CRI): 90
 R9: 13

Ordering Information

Item Number	Ordering Abbreviation	Recessed Housing	J-Box Size	Replaced Incandescent Wattage (W)	Nominal Wattage (W)	Delivered Light Output (lm)	Color Temperature	CRI	Avg. Rated Life (hrs.)*
75044	LEDLD/900/930/FL120	4", 5" & 6"	4"	100	13	900	3000K	90	50,000
75045	LED/LD/900/930/FL120/RP	4", 5" & 6"	4"	100	13	900	3000K	90	50,000
75046	LED/1100/LD/950/FL120	4", 5" & 6"	4"	120	13	1100	5000K	90	50,000

* LED lamp life is defined as the number of hours when 50% of an average group of identical lamps reached 70% of initial lumens.
 Beam angle = 120°

Ordering Guide

LED	/	900	/	LD	/	9	/	30	/	FL	/	120
LED		Light Output 900lm		Product Name Light Disk		CRI >90		Color Temperature 3000K 5000K		Flood		Beam Angle 120°

Energy Savings

Basic Product Description	LED Lumens	LED Life	Traditional Lamp Types	Lumens	Life	Watts Saved With LD	LD Energy Savings*	LD Life Benefit
Light Disk	900	50,000	Incandescent 100BR40	935	2000	87	\$478	25x
			Halogen 75WPAR38/WFL	1060	2500	62	\$341	20x
			Compact Fluorescent 16WBR30	750	8000	3	\$16	6.25x
Light Disk	1100	50,000	120W Incandescent	1150	2000	107	\$588	25x
			Halogen 75WPAR38	1060	2000	62	\$341	20x
			23W Compact Fluorescent	1250	8000	10	\$55	6.25x

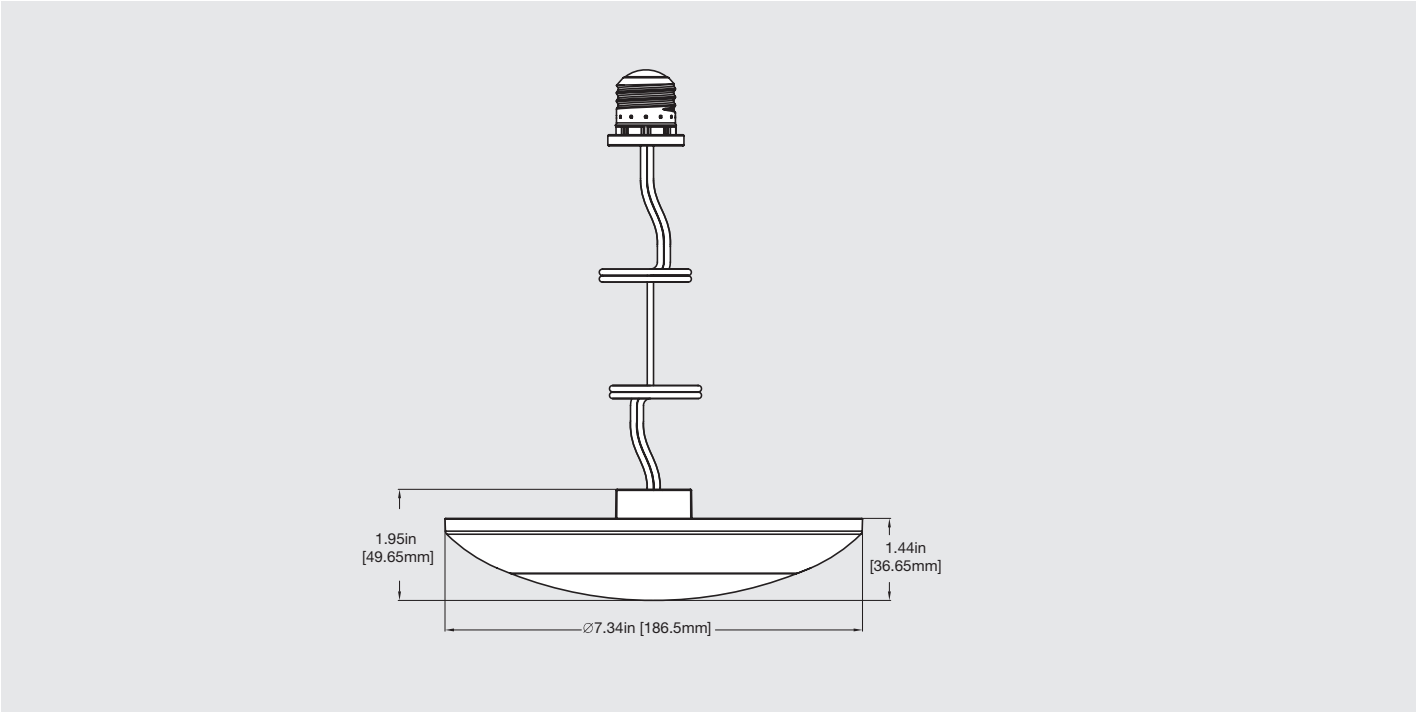
* Based on \$0.11/kWh over 35,000 hours life.

Application Information

Application Notes

- Operating temperature range between -4°F and +104°F (-20°C and +40°C).
- Complies with cULus Wet location listed, ceiling only (shower rated), and Damp location listed ceiling and wall.
- Suitable for dimmers or in housings controlled by a dimmer – see www.sylvania.com for detailed dimmer compatibility list.
- Not intended for use with emergency light fixtures or exit lights.
- For use in housings that can structurally support a lamp weighing one pound.
- Designed to install in standard 4", 5" & 6" insulated and non-insulated housings or with standard 4" J-Box (not included) or using Connector Box (sold separately). For a list of compatible housings, please refer to www.sylvania.com.
- For detailed warranty information, please see www.sylvania.com/LightDisk.
- Compatible with Philips Bodine model ELI-S-20 and IOTA model IIS-125 Emergency Lighting Inverters.

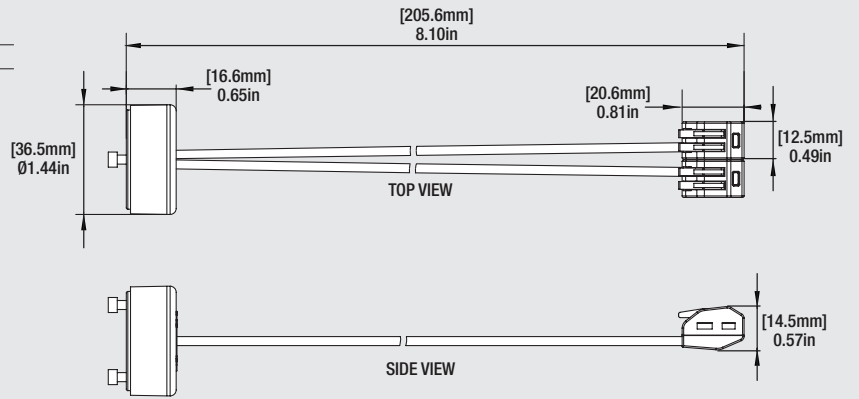
Assembly Diagram



Accessories

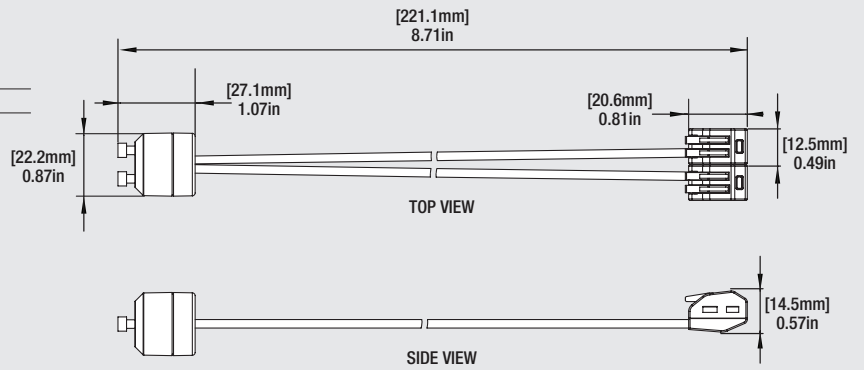
GU24 Socket Adaptor

75105 LD/GU24/ADAPTOR (sold separately)



GU10 Socket Adaptor

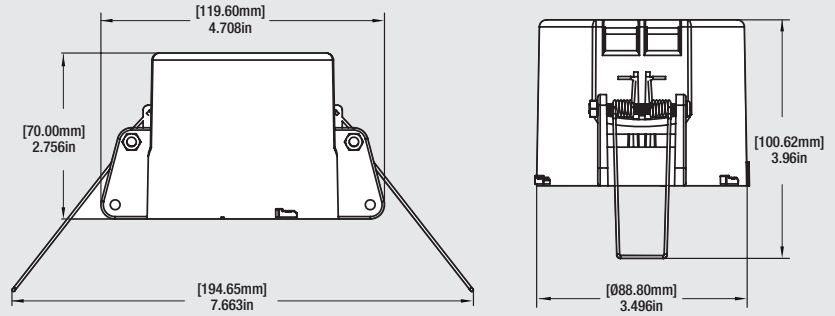
75106 LD/GU10/ADAPTOR (sold separately)



Accessories

Connector Box

75104 LD/CONNECTOR/BOX (sold separately)

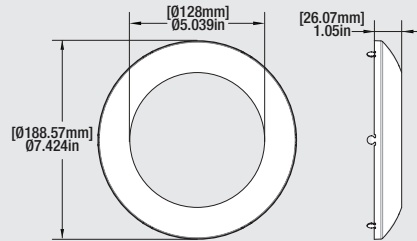


Retrofit Trim

75100 LD/TRIM/BLK (Black)

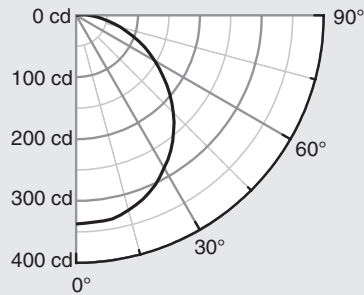
75101 LD/TRIM/ORBZ (Bronze)

75102 LD/TRIM/SN (Satin Nickel)



Photometric Information

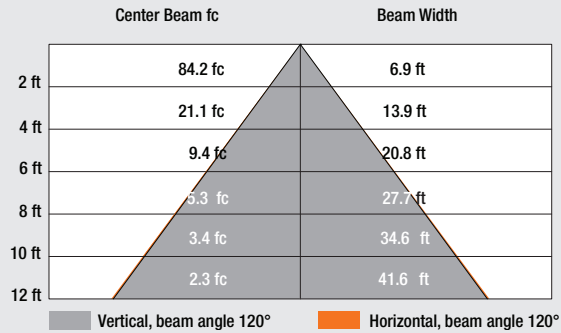
Polar Chart



Zonal Lumen Distribution

Zone	Lumens	% Fixture
0-30	258	27.6
0-40	418	44.7
0-60	721	77.2
60-90	205	22
0-90	926	99.2
90-180	7.7	0.8
0-180	934	100

Illuminance at a Distance



Spacing to Mounting Height Ratio

Spacing Criteria (0-180°)	1.24
Spacing Criteria (90-270°)	1.24
Spacing Criteria (Diagonal)	1.34

LEDVANCE LLC
 200 Ballardvale Street
 Wilmington, MA 01887 USA
 Phone 1-800-LIGHTBULB (1-800-544-4828)
www.sylvania.com

SYLVANIA and LEDVANCE are registered trademarks.
 All other trademarks are those of their respective owners.
 Licensee of product trademark SYLVANIA in general lighting.
 Specifications subject to change without notice.

[/sylvania](https://twitter.com/sylvania) [/sylvania](https://facebook.com/sylvania)

