



| |
|----------------|
| Catalog Number |
| Notes |
| Type |

Contractor Select™

JEBL

LED High Bay Light

The JEBL is built to last with 6kV surge protection standard, 55°C ambient temperature rating, and IP65 rated for elimination of dust, moisture and airborne contaminants. The unique, quick-connect driver-to-optical assembly interface allows for quick and easy maintenance for applications including warehousing, gymnasiums, manufacturing and outdoor canopies.

FEATURES:

- Robust 6kV surge protection standard, meeting the ANSI standard for Industrial Environments
- Mounting heights up to 30 feet. It is listed for wet locations and IP65 rated to help protect against dust, and airborne contaminants from indoor and outdoor environments
- The removeable quick-disconnect driver housing that allows for easy field replacement of the LED driver, eliminating the need to replace the entire fixture



| Catalog Number | UPC | Description | Replaces up to | Lumens | Input Watts | CCT | Voltage | Distribution | Pallet Qty. |
|-----------------------|----------------|-------------------|----------------------------------|--------|-------------|-------|---------|--------------|-------------|
| JEBL 12L 40K 80CRI WH | 00191848153840 | JEBL LED High Bay | 4-lamp T5HO, 6-lamp t8 | 13,286 | 92.4W | 4000K | 120-277 | General | 48 |
| JEBL 12L 50K 80CRI WH | 00191848153901 | JEBL LED High Bay | 4-lamp T5HO, 6-lamp t8 | 13,190 | 92.4W | 5000K | 120-277 | General | 48 |
| JEBL 18L 40K 80CRI WH | 00191848153895 | JEBL LED High Bay | 6-lamp T5HO, 8-lamp T8, 400W HID | 19,680 | 136W | 4000K | 120-277 | General | 48 |
| JEBL 18L 50K 80CRI WH | 00191848153888 | JEBL LED High Bay | 6-lamp T5HO, 8-lamp T8, 400W HID | 19,770 | 136W | 5000K | 120-277 | General | 48 |
| JEBL 24L 40K 80CRI WH | 00191848153918 | JEBL LED High Bay | 6-lamp T5HO, 8-lamp T8, 400W HID | 26,559 | 181.6W | 4000K | 120-277 | General | 48 |
| JEBL 24L 50K 80CRI WH | 00191848153956 | JEBL LED High Bay | 6-lamp T5HO, 8-lamp T8, 400W HID | 26,189 | 181.6W | 5000K | 120-277 | General | 48 |
| JEBL 30L 40K 80CRI WH | 00191848153925 | JEBL LED High Bay | 10-lamp T5HO, 575W HID | 31,423 | 218W | 4000K | 120-277 | General | 48 |
| JEBL 30L 50K 80CRI WH | 00191848153932 | JEBL LED High Bay | 10-lamp T5HO, 575W HID | 32,824 | 218W | 5000K | 120-277 | General | 48 |

| Accessories: Order as separate catalog number. | |
|--|---|
| JEBLPCLR1 M4 | Polycarbonate clear reflector for 12L and 18L |
| JEBLDALR1 M4 | Diffuse Aluminum reflector for 12L and 18L |
| JEBLPCLR2 M4 | Polycarbonate clear reflector for 24L and 30L |
| JEBLDALR2 M4 | Diffuse Aluminum reflector for 24L and 30L |
| JEBLSMB1 M6 | Surface mount bracket for 12L and 18L |
| JEBLSMB2 M6 | Surface mount bracket for 24L and 30L |
| JCBLSC120 | Safety cable 120" |
| JCBLSC240 | Safety cable 240" |



Specifications

INTENDED USE:

The Lithonia Lighting JEBL LED High bay is an affordable LED solution for users who prefer a luminaire with the look and feel of a round form factor. The JEBL delivers comfortable and uniform lighting from mounting heights up to 30ft. Certain airborne contaminants can diminish integrity of acrylic and/or polycarbonate. Click here for Acrylic-Polycarbonate Compatibility table for suitable uses.

CONSTRUCTION:

JEBL features a white diecast aluminum housing along with a removable diecast aluminum driver housing. Optional clear polycarbonate or diffuse aluminum reflectors available separately.

OPTICS:

A .16" thick clear tempered glass lens protects LEDs. Placement, spacing, and aperture of LEDs provides a 120 degree spread of light.

ELECTRICAL:

High-efficiency LEDs. 0-10V dimming standard for a dimming range of 100% to 10%. Input voltage is MVOLT(120-277V). Suitable for 50/60Hz. 6kV/3kA of surge protection is standard.
L90 > 54,000 hours.

INSTALLATION:

1/4" NPT eye bolt with 1/2" thick loop and 17 3/4" cord with dimming lead provided for easy installation. Optional surface mount bracket allows flexibility by adjusting in 15 degree increments for a total range of 150 degrees.

LISTINGS:

UL/C-UL listed to US and Canadian Safety Standards. Wet location listed. For use under covered ceilings. For use in ambient temperatures from -40°F (-40°C) to 131°F (55°C). IP65 rated.

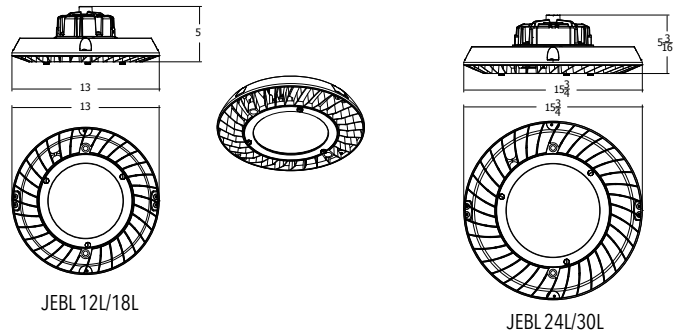
DesignLights Consortium® (DLC) Premium qualified product. Not all versions of this product may be DLC Premium qualified. Please check the DLC Qualified Products List at www.designlights.org/QPL to confirm which versions are qualified.

WARRANTY:

5-year limited warranty. Complete warranty terms located at: www.acuitybrands.com/CustomerResources/Terms_and_conditions.aspx

Note: Actual performance may differ as a result of end-user environment and application. All values are design or typical values, measured under laboratory conditions at 25 °C. Specifications subject to change without notice.

Dimensions



All dimensions are inches (centimeters) unless otherwise indicated.