

Project Name:	Part Number:	Type:
---------------	--------------	-------

# FULL CUTOFF WALL PACK - 44W LED

## OUTDOOR



407-478-3759  
www.ilp-inc.com

### FEATURES

- Die-cast aluminum housing
- Hinged full cutoff front frame
- ½" Coin plugs with o-rings for conduit or optional photocell
- Textured architectural bronze powdercoat finish over a chromate conversion coating
- Forward throw optic lens
- Cast-in template for mounting directly over a 4" recessed outlet box
- 3000K, 4000K and 5000K color options
- ETL Listed for wet locations
- Meets Dark Sky Requirements
- Custom colors available upon request
- 5 Year warranty
- DesignLights Consortium® Premium Qualified Luminaire



### SUITABLE APPLICATIONS

- Parking Lots
- Loading Dock Areas
- Exterior Wall Lighting
- Building Entrance Ways

LED SYSTEMS INFO		T2	T3	T4		T2	T3	T4
Calculated L <sub>70</sub> (TM-21)	<b>4000K</b>	>100K	>100K	>100K	<b>5000K</b>	>100K	>100K	>100K
Delivered Lumens		4,849 lm	4,786 lm	4,618 lm		4,757 lm	4,694 lm	4,530 lm
Total Input Watts		42 W	42 W	42 W		42 W	42 W	42 W
Luminaire Efficacy Rating (LER)		115 lm/W	113 lm/W	109 lm/W		113 lm/W	111 lm/W	107 lm/W
Correlated Color Temperature (CCT)		4000K	4000K	4000K		5000K	5000K	5000K
Color Rendering Index (CRI)		>70	>70	>70		>70	>70	>70
BUG Rating		B2 U0 G2	B1 U0 G1	B1 U0 G2		B2 U0 G2	B1 U0 G1	B1 U0 G2
Maximum Ambient Temperature		125°F	125°F	125°F		125°F	125°F	125°F
Universal Driver		120-277 V	120-277 V	120-277 V		120-277 V	120-277 V	120-277 V

LED System data above based on WPCS-44WLED-UNIV-40 and WPCS-44WLED-UNIV-50  
LED Lumen maintenance estimates based on TM-21 projections for the light source at 25°C ambient.

### ORDERING GUIDE:

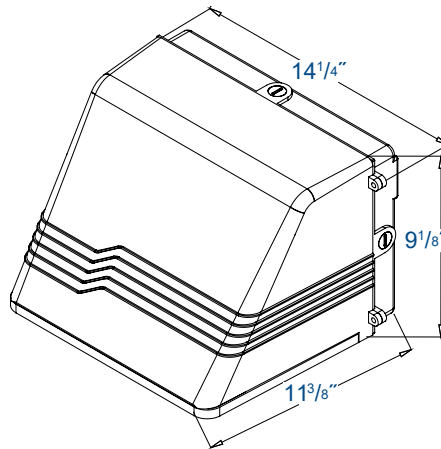
Series	Watts	Driver	Color	Optics	Options
WPCS Full Cutoff Wall Pack	<b>44WLED</b>	UNIV 120-277V Driver	50	T2	<b>WPC15WG</b> Wire Guard, SS Construction <b>CORDx</b> Cord (x = ft) <b>DIM</b> 0-10V Dimmable Driver <b>PCxxx*</b> Photocell (xxx = Voltage) <b>FI/ILBCP05</b> 5W LED Factory Installed Battery Backup
			40	T3	
			30	T4	

\* Photocell option available for field install.

# FULL CUTOFF WALL PACK - 44W LED

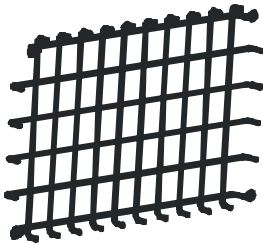
OUTDOOR

## LINE DRAWING



## SECURITY OPTIONS

- **WPC15WG** - Wire Guard, SS Construction

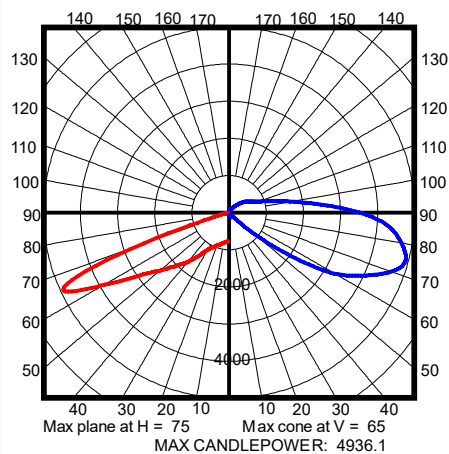


### WPCS-44WLED-UNIV-40-T2

#### SUMMARY DATA

HEMISPHERES TESTED:	BOTH
EFFICIENCY (Downlight/Uplight):	100.0 % / 0.0 %
EFFICIENCY (Street/House):	66.1 % / 33.9 %
ROADWAY CLASSIFICATION:	TYPE II, SHORT
CUTOFF CLASSIFICATION:	NONCUTOFF
LUMENS:	4,883.41
INPUT WATTS:	43.3

#### CANDELA PLOT



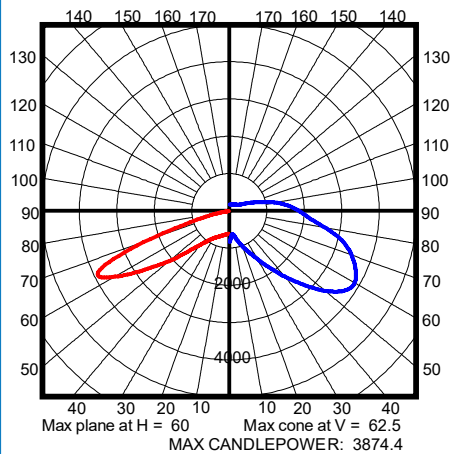
Photometric values based upon tests performed in compliance w/ LM-79.  
Download IES files at [www.ilp-inc.com](http://www.ilp-inc.com)

### WPCS-44WLED-UNIV-40-T3

#### SUMMARY DATA

HEMISPHERES TESTED:	BOTH
EFFICIENCY (Downlight/Uplight):	100.0 % / 0.0 %
EFFICIENCY (Street/House):	75.4 % / 24.6 %
ROADWAY CLASSIFICATION:	TYPE III, SHORT
CUTOFF CLASSIFICATION:	CUTOFF
LUMENS:	4,541.77
INPUT WATTS:	43.58

#### CANDELA PLOT



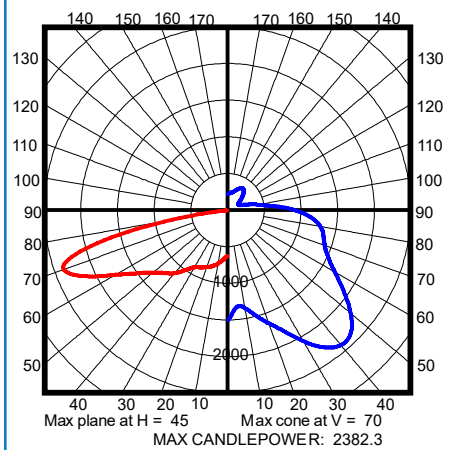
Photometric values based upon tests performed in compliance w/ LM-79.  
Download IES files at [www.ilp-inc.com](http://www.ilp-inc.com)

### WPCS-44WLED-UNIV-40-T4

#### SUMMARY DATA

HEMISPHERES TESTED:	BOTH
EFFICIENCY (Downlight/Uplight):	100.0 % / 0.0 %
EFFICIENCY (Street/House):	77.6 % / 22.4 %
ROADWAY CLASSIFICATION:	TYPE IV, SHORT
CUTOFF CLASSIFICATION:	NONCUTOFF
LUMENS:	4,383.33
INPUT WATTS:	43.54

#### CANDELA PLOT



Photometric values based upon tests performed in compliance w/ LM-79.  
Download IES files at [www.ilp-inc.com](http://www.ilp-inc.com)