

Project Name:	Part Number:	Type:
---------------	--------------	-------

FULL CUTOFF WALL PACK - 28W LED

OUTDOOR



407-478-3759
www.ilp-inc.com

FEATURES

- Die-cast aluminum housing
- Hinged full cutoff front frame
- ½" Coin plugs with o-rings for conduit or optional photocell
- Textured architectural bronze powdercoat finish over a chromate conversion coating
- Forward throw optic lens
- Cast-in template for mounting directly over a 4" recessed outlet box
- 3000K, 4000K and 5000K color options
- ETL Listed for wet locations
- Meets Dark Sky Requirements
- Custom colors available upon request
- 5 Year warranty
- DesignLights Consortium® Premium Qualified Luminaire



SUITABLE APPLICATIONS

- Parking Lots
- Loading Dock Areas
- Exterior Wall Lighting
- Building Entrance Ways

LED SYSTEMS INFO		T2	T3	T4	T2	T3	T4	
Calculated L ₇₀ (TM-21)	4000K	>100K	>100K	>100K	5000K	>100K	>100K	
Delivered Lumens		3,361 lm	3,278 lm	3,202 lm		3,614 lm	3,525 lm	3,444 lm
Total Input Watts		28 W	28 W	28 W		28 W	28 W	28 W
Luminaire Efficacy Rating (LER)		120 lm/W	117 lm/W	114 lm/W		129 lm/W	125 lm/W	123 lm/W
Correlated Color Temperature (CCT)		4000K	4000K	4000K		5000K	5000K	5000K
Color Rendering Index (CRI)		>70	>70	>70		>70	>70	>70
BUG Rating		B1 U0 G1	B1 U0 G1	B1 U0 G1		B1 U0 G1	B1 U0 G1	B1 U0 G1
Maximum Ambient Temperature		135°F	135°F	135°F		135°F	135°F	135°F
Universal Driver		120-277 V	120-277 V	120-277 V		120-277 V	120-277 V	120-277 V

LED System data above based on WPCS-28WLED-UNIV-40 and WPCS-28WLED-UNIV-50
LED Lumen maintenance estimates based on TM-21 projections for the light source at 25°C ambient.

ORDERING GUIDE:

Series	Watts	Driver	Color	Optics	Options
WPCS Full Cutoff Wall Pack	28WLED	UNIV 120-277V Driver	50* 40 30	T2 T3 T4	WPC15WG Wire Guard, SS Construction CORDx Cord (x = ft) DIM 0-10V Dimmable Driver PCxxx** Photocell (xxx = Voltage) FI/ILBCP05 5W LED Factory Installed Battery Backup

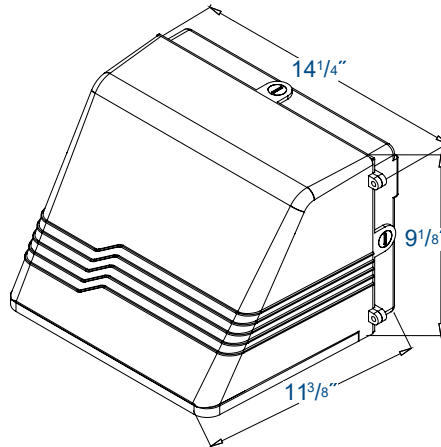
* DLC Premium Listed Configuration

** Photocell option available for field install.

FULL CUTOFF WALL PACK - 28W LED

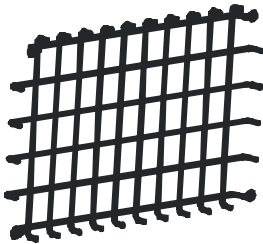
OUTDOOR

LINE DRAWING



SECURITY OPTIONS

- **WPC15WG** - Wire Guard, SS Construction

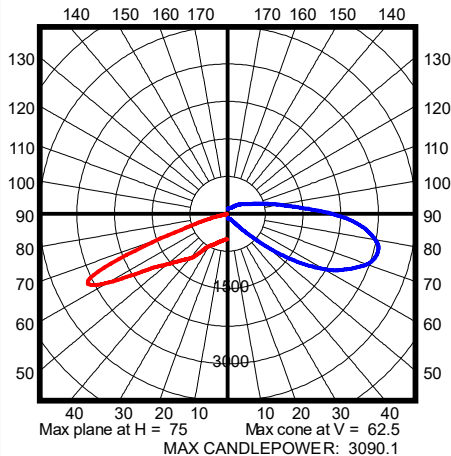


WPCS-28WLED-UNIV-40-T2

SUMMARY DATA

HEMISPHERES TESTED:	BOTH
EFFICIENCY (Downlight/Uplight):	100.0 % / 0.0 %
EFFICIENCY (Street/House):	66.0 % / 34.0 %
ROADWAY CLASSIFICATION:	TYPE II, SHORT
CUTOFF CLASSIFICATION:	NONCUTOFF
LUMENS:	3,258.92
INPUT WATTS:	29.23

CANDELA PLOT



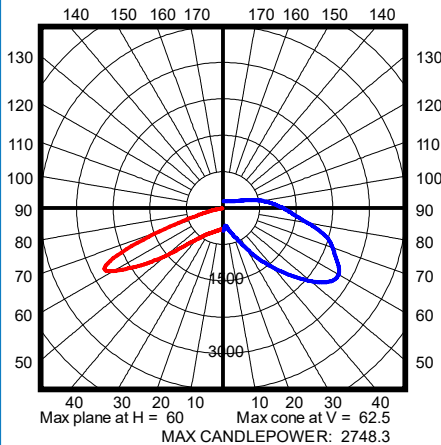
Photometric values based upon tests performed in compliance w/ LM-79.
Download IES files at www.ilp-inc.com

WPCS-28WLED-UNIV-40-T3

SUMMARY DATA

HEMISPHERES TESTED:	BOTH
EFFICIENCY (Downlight/Uplight):	100.0 % / 0.0 %
EFFICIENCY (Street/House):	74.0 % / 26.0 %
ROADWAY CLASSIFICATION:	TYPE III, SHORT
CUTOFF CLASSIFICATION:	CUTOFF
LUMENS:	3,189.57
INPUT WATTS:	29.23

CANDELA PLOT



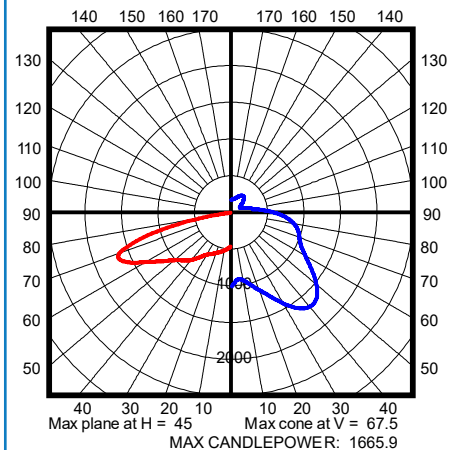
Photometric values based upon tests performed in compliance w/ LM-79.
Download IES files at www.ilp-inc.com

WPCS-28WLED-UNIV-40-T4

SUMMARY DATA

HEMISPHERES TESTED:	BOTH
EFFICIENCY (Downlight/Uplight):	100.0 % / 0.0 %
EFFICIENCY (Street/House):	76.3 % / 23.7 %
ROADWAY CLASSIFICATION:	TYPE IV, SHORT
CUTOFF CLASSIFICATION:	SEMICUTOFF
LUMENS:	3,121.03
INPUT WATTS:	29.25

CANDELA PLOT



Photometric values based upon tests performed in compliance w/ LM-79.
Download IES files at www.ilp-inc.com