



The Pivotal is the latest generation edge-lit EXIT from the Mule design team. The Pivotal features an integrated and unique pivot system that allows the Pivotal to be installed on the wall, ceiling or sloped surface. Easy to specify, easy to install, the Pivotal is a universal edge-lit EXIT that is available in AC only, Self-Powered and Dual-Circuit configurations.

PRODUCT SPECIFICS

INTERNAL SPECIFICATIONS

AC ONLY: Standard configuration with high output, high efficiency red or green LEDs, 120/277VAC input.

TWO CIRCUIT: Two circuit design for direct connection to mains and separate back up source. High output, high efficiency red or green LEDs, 120/277VAC inputs.

SELF-POWERED: Standard configuration with high output, high efficiency red or green LEDs, 120/277VAC input. Nickel cadmium battery provides a minimum of 90 minutes emergency duration. Low voltage battery disconnect

EXTERNAL SPECIFICATIONS

The Pivotal series is designed with a minimalist inspired aluminum housing that is offered as standard in brushed aluminum or white finishes. The included canopy is constructed from thermoplastic and can be universally mounted and incorporates a pendant connection. The high clarity acrylic panel is available in single and double face configurations. Single face is offered in clear only. Double face is offered in mirror only. Field installable chevrons are standard. Accurate positioning is assured by using the chevron template

INSTALLATION

The Pivotal is suitable for surface ceiling, wall and end mounting using the included mounting canopy. Suitable for damp location / indoor installations.

MODERN DESIGN

The Pivotal series is designed around a pivoting system that allows the Pivotal to be surface mounted at almost any angle from 0 to 90 degrees. This allows the Pivotal to easily adapt to sloped ceilings or stairwells. The minimalist design blends well with any décor with the focus being on the crisp and evenly illuminated EXIT panel. The aluminum housing is available in a natural brushed aluminum finish or a durable powder coat white finish. A universal canopy is used to mount the Pivotal. The clear acrylic panel has soft, rounded edges and is offered in clear (single face), mirror (double face) configurations.

ELECTRICAL SPECIFICATIONS

The Pivotal series integrates high-efficiency, high-output LEDs. Standard input of 120/277VAC. The Pivotal series consumes less than two (2) watts nominal power.

BATTERY TECHNOLOGY

The Pivotal series self-powered version comes standard with an internally installed, maintenance free, nickel cadmium battery pack that will maintain operation of the Pivotal during a power failure for a period no less than 90 minutes. Complete recharge time of the batteries is within a 24 hour period.

SELF-POWERED VERSIONS

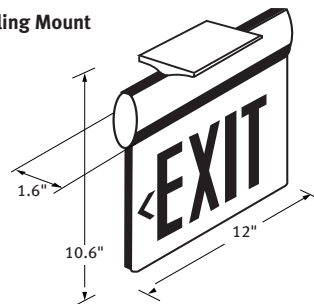
The Pivotal series can be ordered in a self-powered configuration for operation during a power failure. The battery and charger are completely self-contained within the Pivotal housing. Dimensions for the AC only and self-powered models are identical. The Pivotal series utilizes solid state transformer technology that eliminates the possibility of relay failure due to particle build up. The current status of self-powered versions is easily determined via an external monitor LED that indicates AC on. A push to test button allows for instant verification of emergency operation.

AUTOTEST DIAGNOSTICS

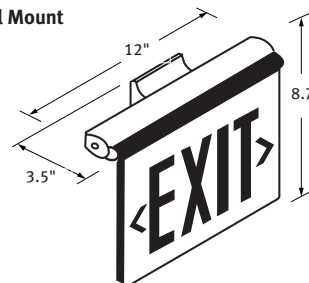
The Pivotal self-powered configuration comes standard with the Mule AUTOTEST diagnostic system. Featuring continuous monitoring of the units critical components and providing instant visual verification of unit status.



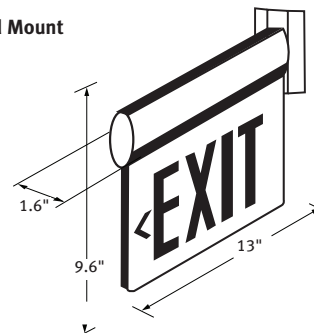
Ceiling Mount



Wall Mount



End Mount





AUTOTEST FEATURES:

- Monitor battery disconnection, charger failure, LED failure and transformer failure every 5 seconds without discharging the battery.
- Automatically indicates LED, battery and charger status by dual color LED indicator
- Factory preset AUTOTEST does not need to be field adjusted or reset for proper operation

AUTOTEST FUNCTIONS:

- Verifies battery disconnect, charger failure, LED failure and transformer failure every 5 seconds.
- One (1) minute AUTOTEST every month
- Thirty (30) minute AUTOTEST every six (6) months
- Ninety (90) minute AUTOTEST every twelve (12) months

AUTOTEST VISUAL ALERT:

- (1) BLINK red: Battery not connected
- (2) BLINKS red: Battery shorted and/or battery voltage drop
- (3) BLINKS red: Charger failure
- (4) BLINKS red: Transformer fault
- (7) BLINKS red: LED failure

AUTOTEST MANUAL FUNCTIONS:

- Press TEST button 1x (within 2 sec.) = 1 minute test
- Press TEST button 2x (within 2 sec.) = 5 minute test
- Press TEST button 3x (within 2 sec.) = 30 minute test
- Press TEST button 4x (within 2 sec.) = 90 minute test

WARRANTY

The Pivotal series comes with a 5-year factory warranty. Deliberate damage, misuse, improper installation effectively cancel the warranty.

ORDERING INFORMATION

MODEL	# OF FACES	OPERATION	LETTER COLOR	HOUSING COLOR
PVT	1 = Single Face	A = AC Only	R = Red	BA = Brushed Aluminum
	2 = Double Face	B = w/Battery	G = Green	WH = White
		DLC = Dual Circuit		

Ordering Example: PVT-1-A-R-WH