



Now, more is less. Economical retrofit downlights with more to offer. Available in standard or adjustable heads.

Color: White

Weight: 0.8 lbs

**Project:**

**Type:**

**Prepared By:**

**Date:**

### Driver Info

Type: Constant Current  
 120V: 0.078A  
 208V: N/A  
 240V: N/A  
 277V: N/A  
 Input Watts: 9W  
 Efficiency: 99%

### LED Info

Watts: 9W  
 Color Temp: 3000K  
 Color Accuracy: 91 CRI  
 L70 Lifespan: 50000  
 Lumens: 737  
 Efficacy: 81 LPW

## Technical Specifications

### Listings

#### UL Listing:

Suitable for damp locations

#### ENERGY STAR® V2.0:

This product is ENERGY STAR® Version 2.0 Certified.

#### IESNA LM-79 & IESNA LM-80 Testing:

RAB LED luminaires have been tested by an independent laboratory in accordance with IESNA LM-79 and 80, and have received the Department of Energy "Lighting Facts" label.

### Electrical

#### Driver:

Constant Current, Class 2, 50/60 Hz, 120V: 0.078A

#### Dimming:

TRIAC, ELV and 0-10V dimming compatibility.

#### THD:

25.43% at 120V

#### Power Factor:

95.9% at 120V

### LED Characteristics

#### LEDs:

Multi-chip, high-output, long-life LEDs

#### Lifespan:

50,000-hour LED lifespan based on IES LM-80 results and TM-21 calculations.

### Construction

#### Housing:

Precision, die-cast aluminum

#### Installation:

Torsion springs for secure installation

#### Socket Adapter:

Edison 26 Medium Base Socket adapter

#### Lens:

Frosted acrylic lens

#### Finish:

Chip and fade resistant polyester powder coat finish

#### Green Technology:

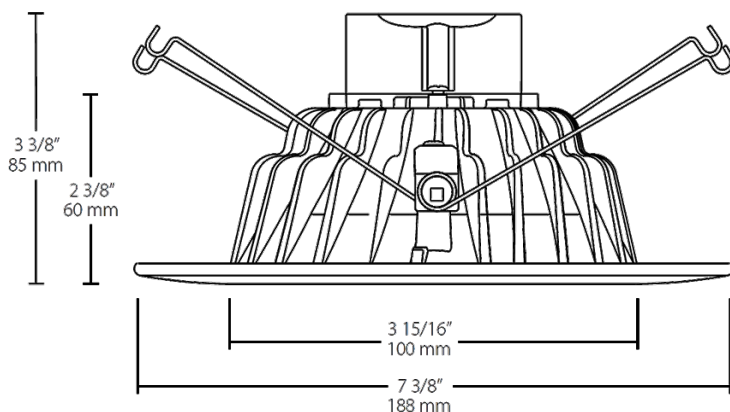
Mercury and UV free. RoHS compliant components.

### Other

#### Warranty:

RAB warrants that our LED products will be free from defects in materials and workmanship for a period of five (5) years from the date of delivery to the end user, including coverage of light output, color stability, driver performance and fixture finish.

## Dimensions



## Features

- Superior thermal management with heat-dissipating fins
- Specification-grade 90 CRI standard
- Edison E26 Medium Base socket adapter included
- 5 year no compromise warranty

## Ordering Matrix

| Family | Color Temp                    | Size   | Type  | Shape     | Watts    |
|--------|-------------------------------|--------|---|-----------|----------|
| DLED   | DLED                          | 6      |   | R         | 9        |
|        | Y = 3000K (Warm)              | 4 = 4" | Blank = Standard                            | R = Round | 9 = 9W   |
|        | YY = 2700K (Residential Warm) | 6 = 6" | A = Adjustable (11W in 4" & 14W in 6" only) |           | 11 = 11W |
|        | YN = 3500K (Warm Neutral)     |        |   |           | 14 = 14W |