



Dark Sky / Forward Throw All-Pack

The AL series is a configurable area light with multiple applications. It can be configured as a dark-sky compliant light, forward-throw light, or pole-mounted light.



"W" Optics;
Dark Sky Mounting Orientation;
Bronze Finish



"F" Optics;
Dark Sky Mounting Orientation;
White Finish



"W" Optics;
Forward Throw
Mounting Orientation;
Bronze Finish

Applications

- ❖ Wall Pack Lighting
- ❖ Flood Lighting
- ❖ Several mounting options
- ❖ Area Lighting
- ❖ Sign Lighting
- ❖ Numerous optic distributions



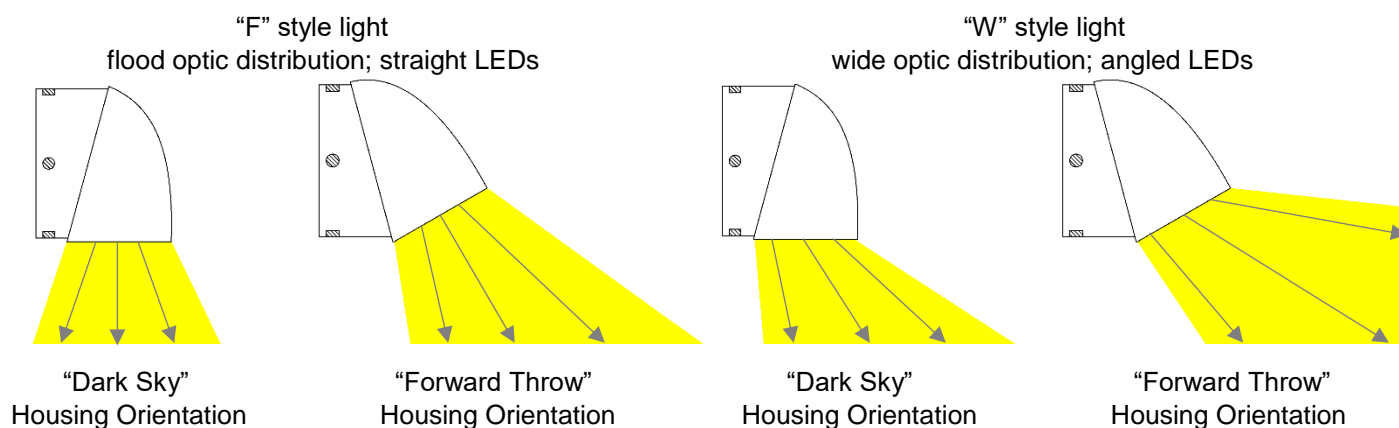
Ordering Information

AL	[X]	[Y]	[Z]
Reversible "All Pack" Product Series	Approximate Metal Halide Replacement	Optics – Orientation of LEDs (AL-100-, AL-250-, AL-320-)	Durable Powder Coat Finish *
AL	<p>[100] = replaces 100W metal halide fixture</p> <p>[250] = replaces 250W metal halide fixture</p> <p>[320] = replaces 320W metal halide fixture</p> <p>[400] = replaces 400W metal halide fixture *** AL-400 AVAILABLE IN W OPTICS ONLY ***</p>	<p>[W] = wide distribution; LEDs angled to throw light forward *** AL-400 AVAILABLE IN W OPTICS ONLY ***</p> <p>[F] = flood light (direct) distribution; LEDs angled to direct light straight ahead</p> <p>(Optics are ordered; orientation is chosen when installing – see diagram on next page.)</p>	<p>[BRZ] = bronze</p> <p>[WHT] = white</p> <p>* Contact Jarvis Lighting for additional color options.</p>

Optics & Mounting Orientation

The All-Pack is a reversible fixture; it can be put together in a “dark sky” or “forward throw” mounting orientation. The All-Pack ships in its “dark sky” orientation; this can be reversed and put into the “forward throw” orientation upon installation. Combined with LED optics, you can get a variety of light distribution patterns, as shown above. **W** and **F** refer to the **optics** created by the LED(s) inside the fixture (see chart above – AL-100, AL-250, and AL-320 available in **W** or **F** – AL-400 comes standard with **W** optics). *Any All-Pack orientation can also have a tenon slipfitter attached to the back for mounting on a light pole – flood, sign, and billboard lighting will likely use “F” optics except in the case of AL-400. Optics are specified when ordering; mounting orientation is specified when installing.*

Optics & Mounting Orientation Diagram



Construction & Compatibility

- ❖ Heavy-duty LEDs use less diodes to create equal or more light while consuming less power.
- ❖ Patented reversible two-part design combined with “wide” or “flood” orientation LEDs allows for a variety of optical distributions with one product. Metallic reflector on all models allows for maximum light output.
- ❖ In all orientations, the back plate is mounted separate from LED components, making for “hands-free” wiring. Conduit can also enter from all sides and/or back of fixture through ½” NPT knockouts.
- ❖ Available in two standard finishes – bronze and white. Contact your Jarvis Lighting representative for custom color options.
- ❖ Jarvis Lighting offers tenon slip fitters for the AL series, as well as a full line of compatible tenons, bullhorns and brackets for mounting them. Contact your Jarvis representative for more information.
- ❖ Compatible with 0-10V dimming controls.
- ❖ Compatible with many photocells and motion sensors. Consult Jarvis Lighting for specific compatibilities.

Certification & Qualification

- ❖ ETL Listed. Conforms to required UL 1598. Suitable for wet locations.
- ❖ DesignLights Consortium™ Qualified Product.
- ❖ Qualifies for many government and utility rebates.
- ❖ Meets Title 24 requirements when installed with controls. Contact Jarvis Lighting for more information.

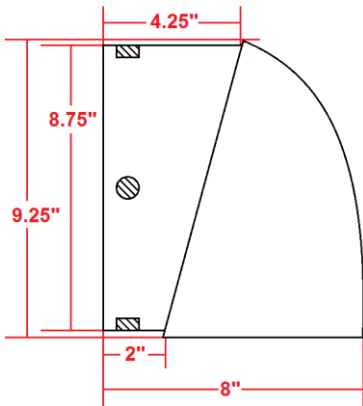


Electrical & Light Output Specifications

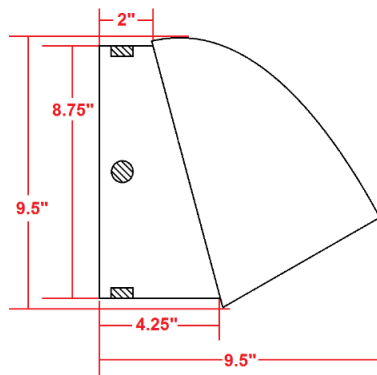
Model Number	AL-100	AL-250	AL-320	AL-400
High Efficiency Diodes	1	2	3	4
Input Power	28.84 W	59.95 W	76.78 W	104.88 W
Lumens	3,182 lm	6,354 lm	8,403 lm	11,780 lm
Typical Metal Halide Replacement	100W	250W	320W	400W
Electrical Input	120-277V, 50/60Hz Power supply automatically adjusts to line voltage within range			
Dimming	0-10V Dimming Compatible			
Color Temperature	5000K, Daylight White			
Color Accuracy (CRI)	>70			
Power Factor	>.9			
Lifetime	75,000-100,000 hours			
Warranty	5 years			

Dimensions

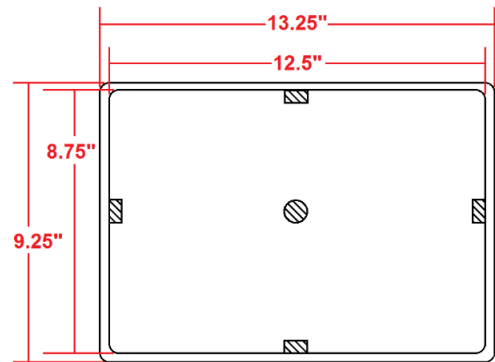
Hatched areas represent 1/2" NPT knockouts.



Side View
Dark Sky Position



Side View
Forward Throw Position



Back View



Intertek



AL-100
AL-250
AL-320
AL-400



ARRA Funding
Compliant



Assembled in the US of
US and Imported Parts