



SQ-80-LED Series



LED Low-Profile, Thermoplastic Emergency Light

PRODUCT SPECIFICATIONS

ILLUMINATION

- Long lasting, efficient ultra-bright white LEDs.
- High-performance chrome-plated metalized reflector and polycarbonate lens for optimal light distribution.
- Adjustable 1 Watt LED lamp heads provides optimal center-to-center spacing. Optional high-lumen heads (1.5 Watt) are available for increased center-to-center spacing.

ELECTRICAL

- Dual 120V/277V voltage.
- Charge rate/power "ON" LED indicator light and push to test switch for mandated code compliance testing.
- Long-life, maintenance-free, rechargeable NiCd battery.
- Internal solid-state transfer switch automatically connects the internal battery to LED board and LED lamp heads for minimum 90-minute emergency illumination.
- Fully automatic solid-state, two-rate charger initiates battery charging to recharge a discharged battery in 24 hours.

MOUNTING

- Surface mount via quick-connect back plate; fits most standard size junction boxes and snaps into place to make internal electrical connections.
- Conduit mount knockout on top of housing.
- Suitable for wall or ceiling mount.

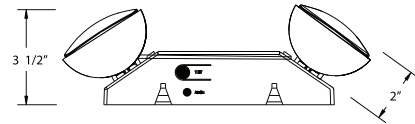
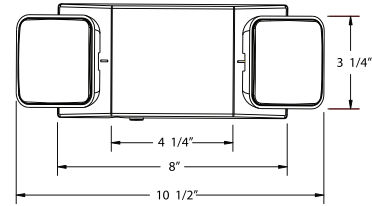
HOUSING

- Injection-molded, engineering-grade, 5VA flame retardant, high-impact, thermoplastic in white or black finish.

WARRANTY/LISTING

- Five year warranty on all electronics and housing. Batteries pro-rated for five years.
- UL listed for damp locations (0°-40°C/32°F-104°F standard).
- Meets UL924, NFPA101 Life Safety Code, NEC, OSHA, Local and State Codes.

PROJECT:
FIXTURE TYPE:
LOCATION:
CONTACT/PHONE:



SPACING CHART

2'	0.68	0.79	0.87	0.82	0.94	1.01	1.09	1.36	1.11	0.78
3'	0.96	1.02	1.08	1.14	1.09	1.30	1.40	1.10	0.92	0.85
4'	0.86	1.10	1.24	1.17	0.98	1.06	1.14	1.00	1.10	0.79
	3'	4'	5'	6'	7'	8'	9'	10'	11'	12'

Meets NFPA 101 fc requirements using 10' spacing on 3' path of egress

ELECTRICAL INFORMATION

	Supply Voltage	Max. Watts	Max. Amps
SQ-80-LED	120V/277V	1.8w	0.022A
SQ-80-LED-REM	120V/277V	2.1W	0.025A
SQ-80-LED-SD	120V/277V	1.6W	0.020A
SQ-80-LED-REM-SD	120V/277V	1.9W	0.020A

ORDERING INFORMATION

MODEL	HOUSING COLOR	OPTIONS	ACCESSORIES
SQ-80-LED (Standard)	W = All White B = All Black	SD = Self-Diagnostics HL = 12 LED Per Head REM* = Remote Capable	WG5 = Wire Guard VRS3 = Vandal Resistant Shield

Ordering Example: SQ-80-LED-W-SD

*Remote capacity to accommodate 2 additional remote LED lamp heads, not included



SQ-80-LED Series



PROJECT:
FIXTURE TYPE:
LOCATION:
CONTACT/PHONE:

LED REMOTE HEADS (ORDER SEPERATELY)

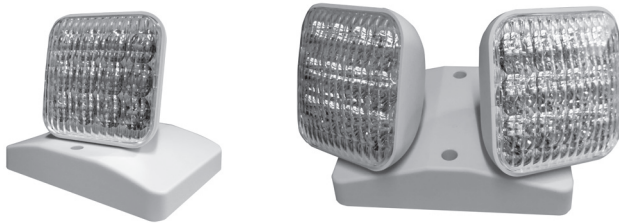
- Each lamp contains 12 long-life, efficient ultra-bright white LED's
- Available in Single or Double head configurations
- Indoor or Outdoor ratings available

MODEL	DESCRIPTION
RLED-1-3.6V	Single LED Remote Indoor
RLED-2-3.6V	Double LED Remote Indoor
RLED-1-SD-3.6V	Single LED Remote Indoor (Units w/ SD Option)
RLED-2-SD-3.6V	Double LED Remote Indoor (Units w/ SD Option)
RLED-1-WP-3.6V	Single LED Remote Outdoor
RLED-2-WP-3.6V	Double LED Remote Outdoor
RLED-1-SD-WP-3.6V	Single LED Remote Outdoor (Units w/ SD Option)
RLED-2-SD-WP-3.6V	Double LED Remote Outdoor (Units w/ SD Option)

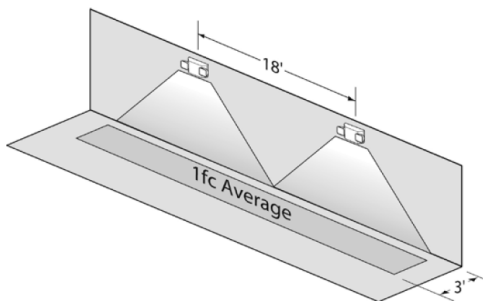
OUTDOOR REMOTE HEADS



INDOOR REMOTE HEADS



Using multiple units mounted at a typical 7.5' delivers 18' center-to-center spacing on a 3' wide egress path.



Using multiple units mounted at a typical 7.5' delivers 14' center-to-center spacing on a 6' wide egress path.

