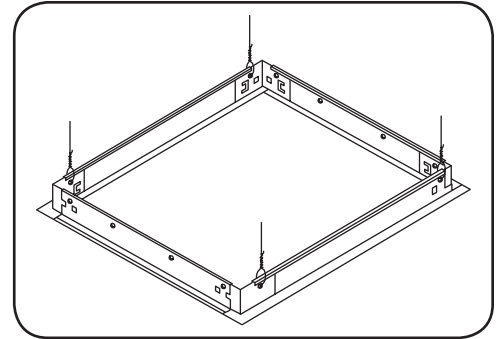


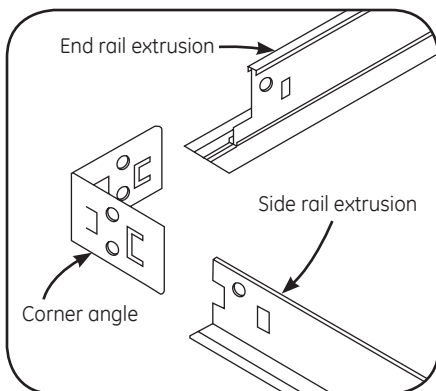
Drywall Framing Kit

Features

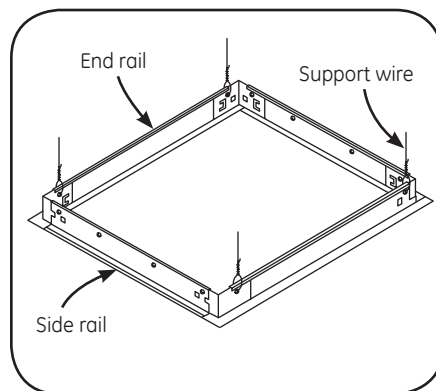
- Heavy-duty galvanized angle brackets secure end rail to side rail.
- Extruded aluminum end and side rails provide rigid structure to support fixture.
- Heavy-duty .050" thick extruded aluminum.
- Baked white enamel finish.
- Field assembled and installed into drywall ceiling independent of luminaire.



Installation



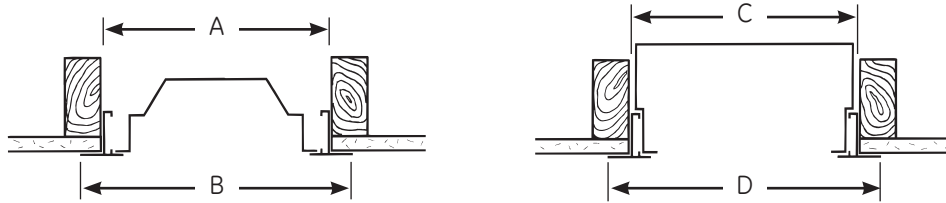
1 Insert corner angles into side and end rails.



2 Place the assembled frame into the ceiling opening and support with wire from rigid ceiling structure.



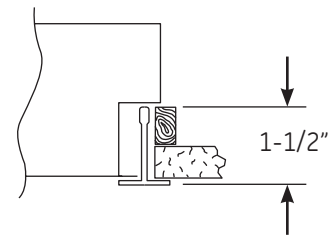
Ordering Information



Imperial Sizes

Catalog Number	Description Code	Nominal Size	Rough-In		Finish Trim Size		Type of Mounting
			Width (A)	Length (C)	Width (B)	Length (D)	
69068	GESK09	1' x 4'	12-3/8"	48-3/8"	13-5/16"	49-5/16"	Individual
67657	GESK07	2' x 2'	24-3/8"	24-3/8"	25-5/16"	25-5/16"	Individual
69523	GESK11	2' x 4'	24-3/8"	48-3/8"	25-5/16"	49-5/16"	Individual

Some fixtures' end plates extend over the top of the "T." When using these fixtures, the structure surrounding the DFK is to extend no more than 1-1/2" from the bottom of the "T" as shown.



GE Lighting Solutions • 1-888-MY-GE-LED • www.gelightingsolutions.com
1-888-69-43-533

GE Lighting Solutions, LLC is a subsidiary of the General Electric Company. The GE brand and logo are trademarks of the General Electric Company.
© 2012 GE Lighting Solutions, LLC. Information provided is subject to change without notice. All values are design or typical values when measured under laboratory conditions.