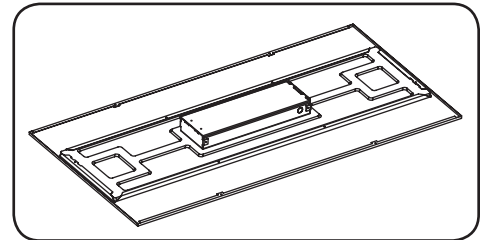


# Lumination™ LED Luminaire

(Series ET240)

## Features

- Long life (50,000 hour rated life)
- 5 year warranty
- Dry location rated



## BEFORE YOU BEGIN

Read these instructions completely and carefully.

### ⚠ WARNING/AVERTISSEMENT

#### RISK OF ELECTRIC SHOCK

- Turn power off before inspection, installation or removal.
- Properly ground electrical enclosure.

#### RISK OF FIRE

- Follow all NEC and local codes.
- Use only UL or IEC approved wire for input/output connections. Minimum size 18 AWG (0.75 mm<sup>2</sup>).
- Do not install insulation within 3 inches (76 mm) of luminaire top.

#### RISQUES DE DÉCHARGES ÉLECTRIQUES

- Coupez l'alimentation avant d'inspecter, installer ou déplacer le luminaire.
- Assurez-vous de correctement mettre à la terre le boîtier d'alimentation électrique.

#### RISQUES D'INCENDIE

- Respectez tous les codes NEC et codes locaux.
- N'utilisez que des fils approuvés par UL ou IEC pour les entrées/sorties de connexion. Taille minimum 18 AWG (0.75 mm<sup>2</sup>).
- Maintenir une distance de 76 mm (3 pouces) entre le luminaire et l'isolant.

## Save These Instructions

Use only in the manner intended by the manufacturer. If you have any questions, contact the manufacturer.

## Prepare Electrical Wiring



### Electrical Requirements

- The LED driver must be supplied with 120-277 VAC, 50/60 Hz and connected to an individual properly grounded branch circuit, protected by a 15 or 20 ampere circuit breaker. Use Min. 75°C Supply Conductor.



### Grounding Instructions

- The grounding and bonding of the overall system shall be done in accordance with National Electric Code (NEC) Article 600 and local codes.

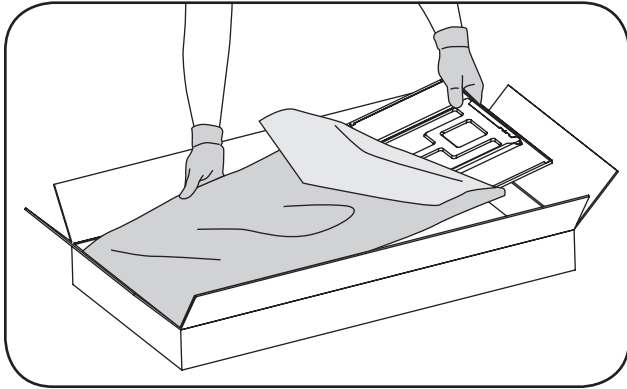
## Tools and components required:

Screwdriver, UL approved conduit fittings, UL approved twist-on wire connectors

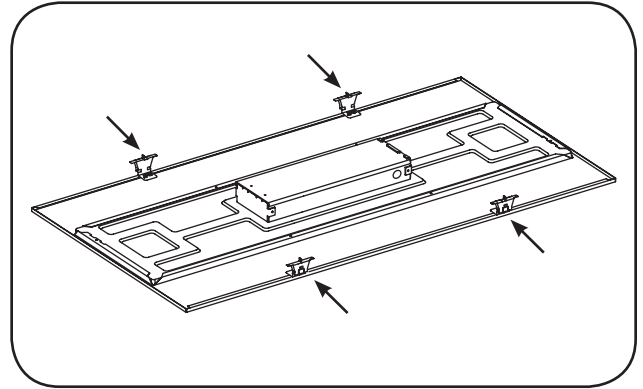


imagination at work

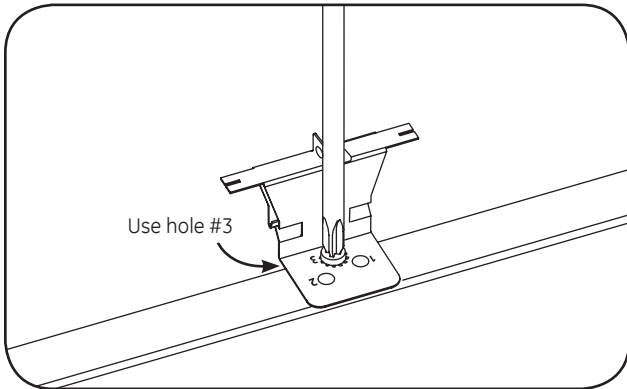
## Unit Installation



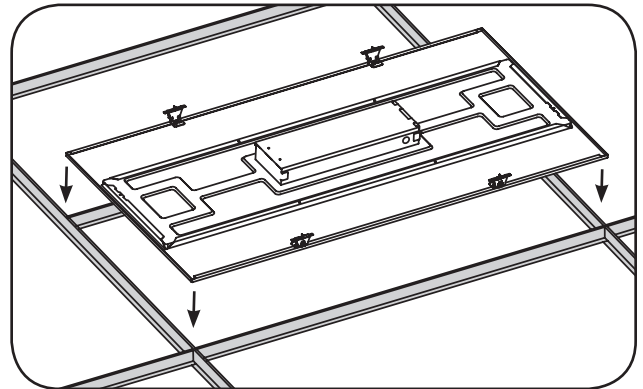
- 1 Carefully unpack unit and properly inspect for defects before installing. Wear work gloves to prevent dirt and oil from being transferred to the luminaire.



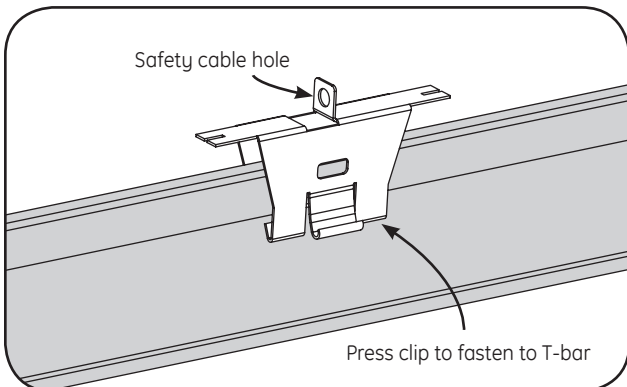
- 2 Position four mounting clips along the sides of luminaire.



- 3 Fasten mounting clips to luminaire by tightening screw in hole No. 3 with star washer.



- 4 Insert LED Fixture into T-bar ceiling grid. Press clips to fasten to T-bar. To ensure a consistent appearance, align fixtures in the same orientation throughout the ceiling pattern.



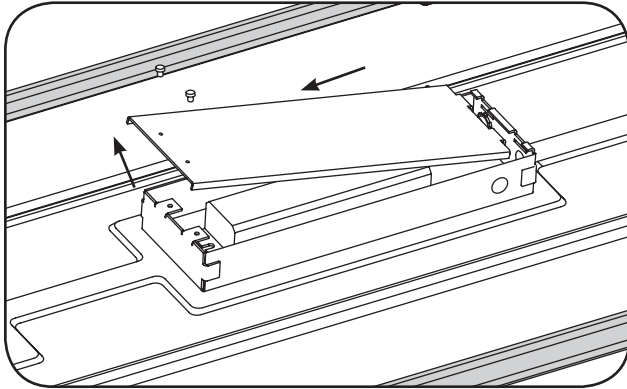
- 5 Secure safety cable to connection hole as needed to meet local seismic requirements. Safety cable and method of attachment to the building provided by contractor according to local building codes.

### **⚠ WARNING/AVERTISSEMENT**

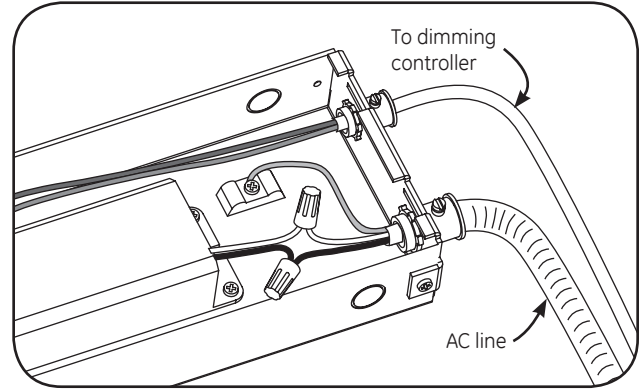
**Risk of Fire.** Do not install insulation within 3 inches (76 mm) of luminaire top.

**Risques d'incendie.** Ne pas installer d'isolation à moins de 76 mm (3 pouces) au-dessus du luminaire.

## Electrical Connections

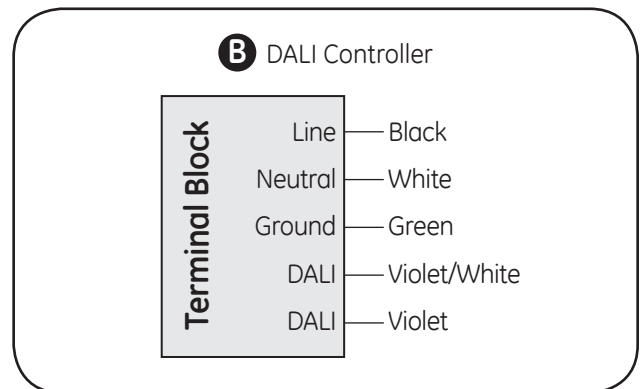
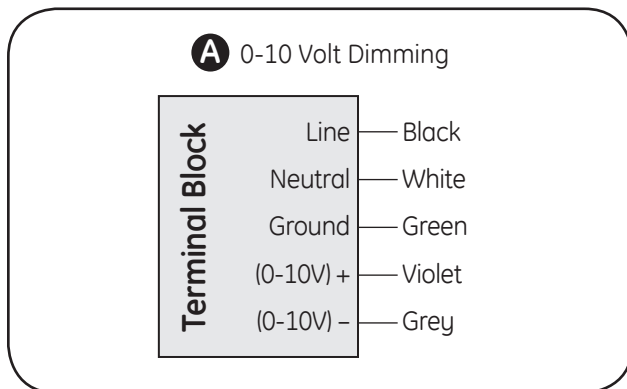


- 1** Remove electrical enclosure cover. Carefully remove knockout for AC line input wires. Install listed electrical fittings in the knockout holes for wire protection.



- 2** Connect the AC line to the black (line) and white (neutral) input wires of the LED Driver using 18-14 AWG (0.75-2.5 mm<sup>2</sup>) twist-on wire connectors. Connect green wire to green grounding screw. When connecting dimming controller, wires must run through a separate knockout hole equipped with an appropriate electrical fitting.
- Replace electrical enclosure cover. Remove protective film from the face of the luminaire.

## Optional Installation: 0-10 Volt Dimming or DALI Lighting Controller



- 3** **Option for Step 2:** Follow Diagram A for 0-10V or Diagram B for DALI. Run wires from controller through a different knockout than the AC input wire. At output side of LED Driver, make appropriate connections using twist-on wire connectors. Follow lighting controller installation instructions.

## Specifications

Input Current (mA)	120V - 450mA, 277V - 210mA
Input Power (W)	54W
Input Frequency (Hz)	50/60Hz
Lumen Output (Lm)	4200Lm @3000K, 4200Lm @3500K, 4500Lm @4000K
Input Voltage (V)	120-277V
CCT	3000K, 3500K or 4000K
Power Factor	>0.9
CRI	80
Control	0-10V & DALI
Ceilings	9/16" T-Grid, 15/16" T-Grid
Warranty	5 year limited warranty
Dimensions (with electrical enclosure)	23.8 in. x 47.8 in. x 2.5 in.
Light Fixture Weight	24.5 lbs. (<11 kg)
Environmental Operating Temperature Range	-10°C to +35°C
Environmental Rating	Dry location rated
Environmental Storage Temperature Range	-40°C to +60°C

Conforms to the following standards:



GE Lighting Solutions • 1-888-MY-GE-LED • [www.gelightingsolutions.com](http://www.gelightingsolutions.com)  
1 - 8 8 8 - 6 9 - 4 3 - 5 3 3

GE Lighting Solutions, LLC is a subsidiary of the General Electric Company. Lumination is a trademark of GE Lighting Solutions, LLC. The GE brand and logo are trademarks of the General Electric Company.  
© 2012 GE Lighting Solutions, LLC. Information provided is subject to change without notice. All values are design or typical values when measured under laboratory conditions.

IND016-120312