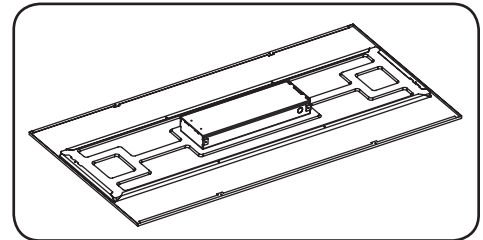


Lumination™ LED Luminaire

(Series ET247)

Features

- Long life (50,000 hour rated life)
- 5 year warranty
- IP30
- Dry location rated



BEFORE YOU BEGIN

Read these instructions completely and carefully.

⚠ WARNING/AVERTISSEMENT

RISK OF ELECTRIC SHOCK

- Turn power off before inspection, installation or removal.
- Properly ground electrical enclosure.

RISK OF FIRE

- Follow all NEC and local codes.
- Use only UL or IEC approved wire for input/output connections. Minimum size 18 AWG (0.75mm²).
- Do not install insulation within 3 inches (76 mm) of luminaire top.

RISQUES DE DÉCHARGES ÉLECTRIQUES

- Coupez l'alimentation avant d'inspecter, installer ou déplacer le luminaire.
- Assurez-vous de correctement mettre à la terre le boîtier d'alimentation électrique.

RISQUES D'INCENDIE

- Respectez tous les codes NEC et codes locaux.
- N'utilisez que des fils approuvés par UL ou IEC pour les entrées/sorties de connexion. Taille minimum 18 AWG (0.75mm²).
- Maintenir une distance de 76 mm (3 pouces) entre le luminaire et l'isolant.

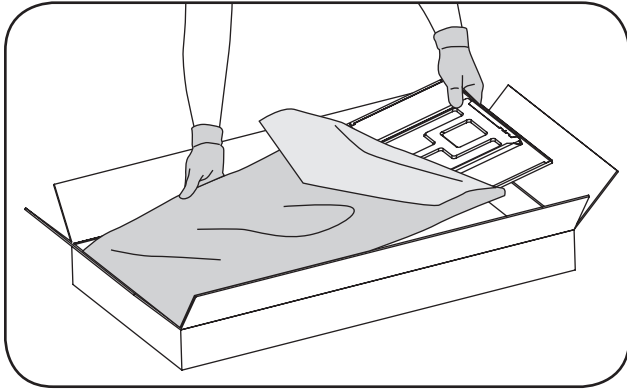
Save These Instructions

Use only in the manner intended by the manufacturer. If you have any questions, contact the manufacturer.

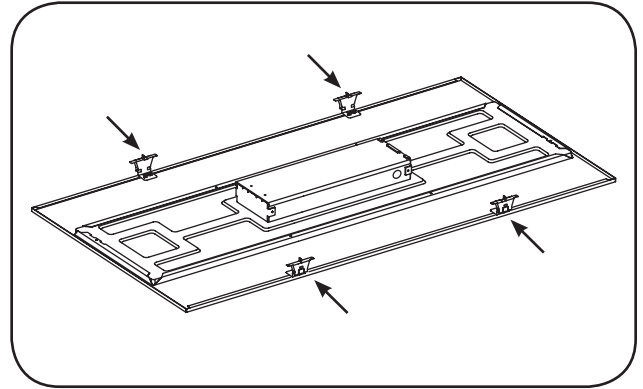


imagination at work

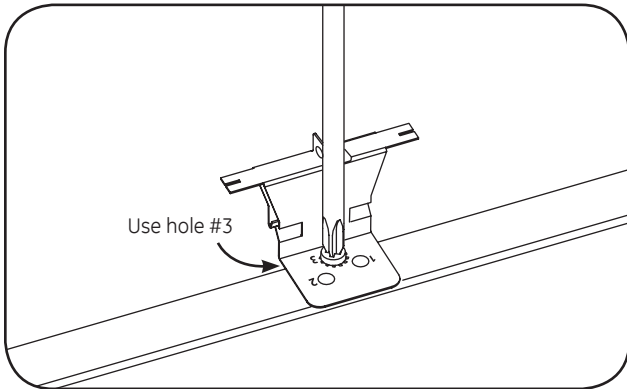
Unit Installation



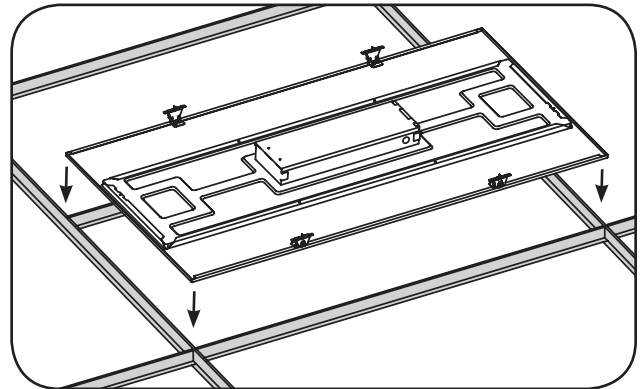
- 1 Carefully unpack unit and properly inspect for defects before installing. Wear work gloves to prevent dirt and oil from being transferred to the luminaire.



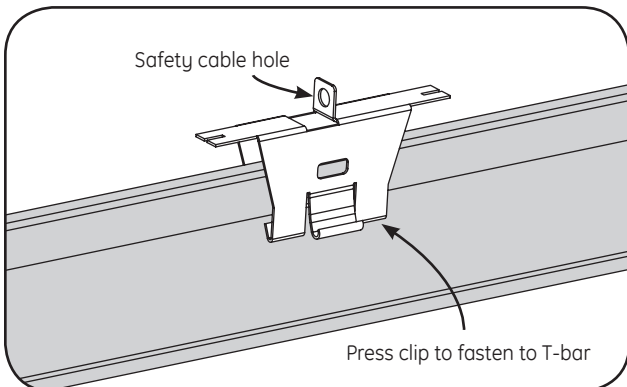
- 2 Position four mounting clips along the sides of luminaire.



- 3 Fasten mounting clips to luminaire by tightening screw in hole No. 3 with star washer.



- 4 Insert LED Fixture into T-bar ceiling grid. Press clips to fasten to T-bar. To ensure a consistent appearance, align fixtures in the same orientation throughout the ceiling pattern.



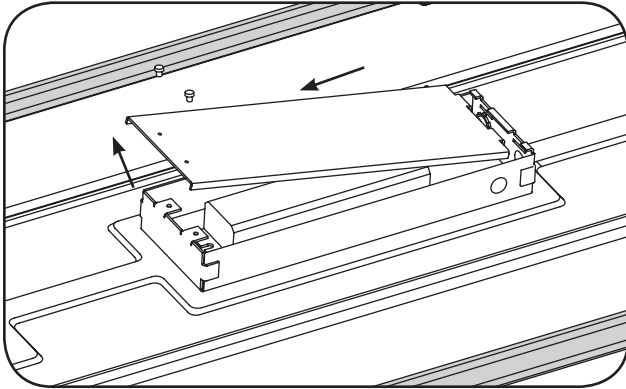
- 5 Secure safety cable to connection hole as needed to meet local seismic requirements. Safety cable and method of attachment to the building provided by contractor according to local building codes.

⚠ WARNING/AVERTISSEMENT

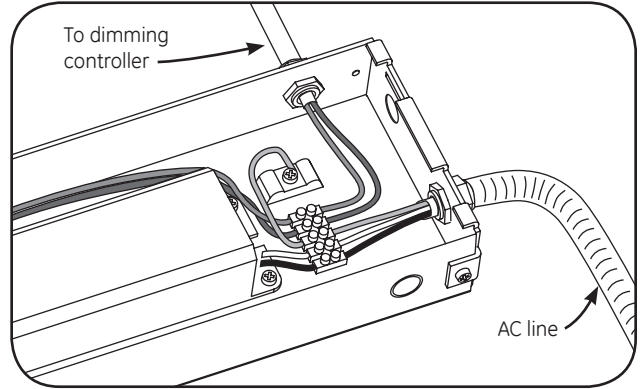
Risk of Fire. Do not install insulation within 3 inches (76 mm) of luminaire top.

Risques d'incendie. Ne pas installer d'isolation à moins de 76 mm (3 pouces) au-dessus du luminaire.

Electrical Connections



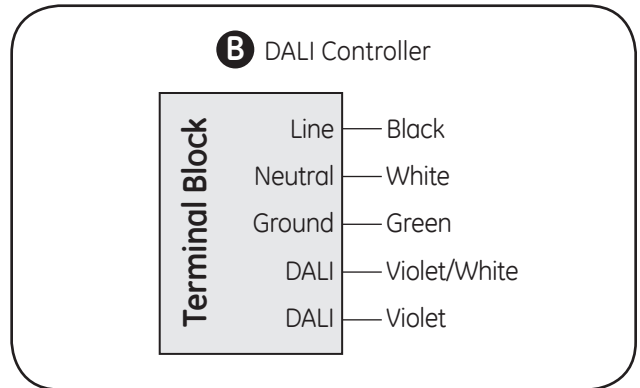
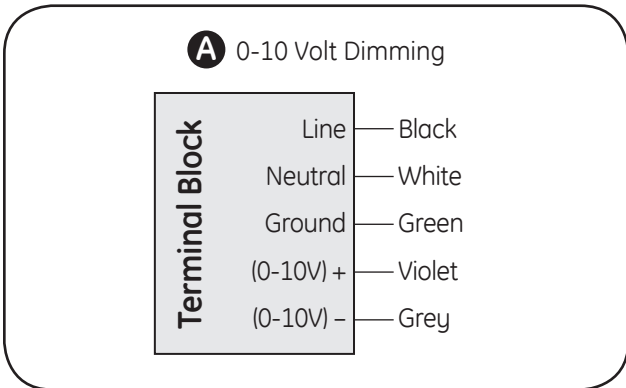
1 Remove electrical enclosure cover. Carefully remove knockout for AC line input wires. Install listed electrical fittings in the knockout holes for wire protection.



2 Connect the black (line), white (neutral), and green wires of the AC line to the terminal block. When connecting dimming controller, wires must be run through a separate knockout hole equipped with cable gland. Use smaller knockout holes for dimming and supply connections.

Replace electrical enclosure cover. Remove protective film from the face of the luminaire.

Optional Installation: 0-10 Volt Dimming or DALI Lighting Controller



3 Option for Step 2: Follow Diagram A for 0-10V or Diagram B for DALI. Run wires from controller through a different knockout than the AC input wire. At output side of LED Driver, make appropriate connections using twist-on wire connectors. Follow lighting controller installation instructions.

Specifications

	ET24-A Series	ET24-C Series
Input Power (W)	47W	54W
Input Current (mA)	120V - 400mA 240V - 196mA	120V - 450mA 240V - 225mA
Lumen Output (Lm)	3750Lm @3000K 3750Lm @3500K 4000Lm @4000K	4200Lm @3000K 4200Lm @3500K 4500Lm @4000K
Input Voltage (V)	120-240V	
Input Frequency (Hz)	50/60Hz	
CCT	3000K, 3500K or 4000K	
Power Factor	>0.9	
CRI	80	
Control	0-10V & DALI	
Ceilings	9/16" T-Grid, 15/16" T-Grid	
Warranty	5 year limited warranty	
Dimensions (with electrical enclosure)	1195 mm x 595 mm x 63 mm	
Light Fixture Weight	24.5 lbs. (<11 kg)	
Environmental Operating Temperature Range	-10°C to +35°C	
Environmental Rating	IP30	
Environmental Storage Temperature Range	-40°C to +60°C	

Conforms to the following standards:



GE Lighting Solutions • 1-888-MY-GE-LED • www.gelightingsolutions.com
1 - 8 8 8 - 6 9 - 4 3 - 5 3 3

GE Lighting Solutions, LLC is a subsidiary of the General Electric Company. Lumination is a trademark of GE Lighting Solutions, LLC. The GE brand and logo are trademarks of the General Electric Company.
© 2012 GE Lighting Solutions, LLC. Information provided is subject to change without notice. All values are design or typical values when measured under laboratory conditions.

IND016-120312