

Lumination™ LED Luminaires

2' x 4' Recessed Troffer
ET24 Series Powered by Intrinsic™



Project name _____

Date _____

Type _____

Product Description:

The Lumination ET Series recessed LED troffer with Intrinsic technology is a commercial luminaire utilizing an advanced LED optical system to achieve superior performance. It provides high uniformity, excellent efficiency, improved spacing criteria, and reduced glare. The ultra thin profile, and improved lumen maintenance of 82% of initial lumens at 50,000 hours of operation, allows for ease of installation and lower maintenance costs over time. It is suitable for indoor general lighting.

Performance Summary:

Features GE Intrinsic™ technology

Distribution: Medium

Delivered Light Output: 3800-4500 Lm

System Input Power: 47-54 W

Efficacy: 77-85 LPW

Input Voltage: 120-277V

Standard Dimming Control: 0-10V, DALI

Dimming Compatibility: refer to Lutron.com, Leviton.com

CCT: 3000K, 3500K, 4000K

CRI: 80, R9: >0

Color Consistency: 4 Step MacAdam Ellipse

Lifetime Rating: 50,000 Hours @ L82

Input Frequency (Hz): 50/60Hz

Power Factor: >0.9

Unified Glare Rating: <19/22 depending on beam pattern for office applications in compliance of EN 12464

Mounting: Standard 9/16" & 15/16" T-grid drop ceilings

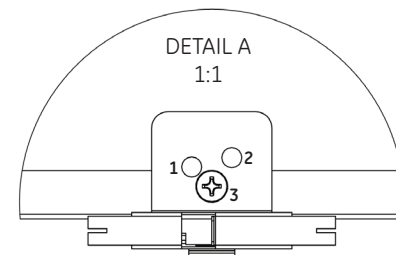
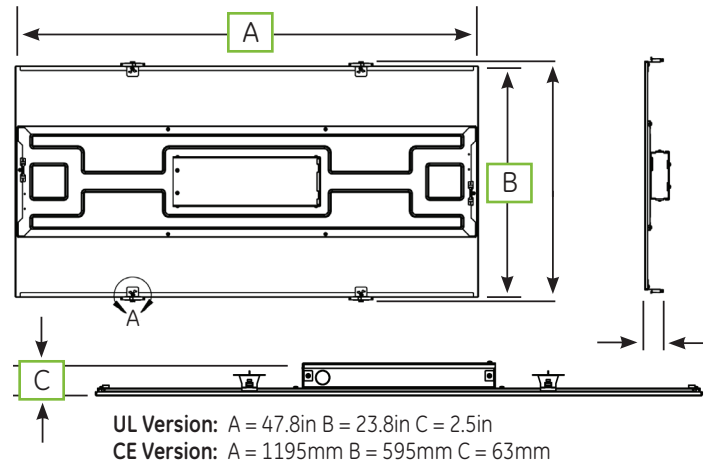
Weight: <25 lbs

IC rating: Non-IC Rated

Warranty: 5 Years standard or 10 years available

Files Available: LM79, LM80, IES

Product Dimensions:



Certified by:

a product of
ecomagination™



Ordering Information:

E T - **24** - - - - **A** - - - - **WHITE** - - - -

INTERNAL CODE	FIXTURE TYPE (NOMINAL)	VOLTAGE	OPTICAL CODE	MOUNTING	CONTROLLER	FINISH	OPTIONS
E = Edge Lighting T = Troffer	24 = 2' X 4' (600x120mm)	0 = 120-277V (UL Version) 7 = 120-240V (CE Version)		A = Lay-in T-Grid	V = 0-10V D = DALI	WHITE = White	Blank if no options E = Lutron Ecosystem Module (integrated into luminaire) H = Chicago Plenum, CCEA EH = Lutron Ecosystem Module & Chicago Plenum, CCEA EL = Emergency battery backup (1400 Lm) Contact your local GE representative for special orders and product modifications.

OPTICAL CODE	TYPE	CRI	COLOR TEMP (K)	TYPICAL LUMENS	SYSTEM WATTAGE
A1	Medium	80	3000	3800	47
A2	Medium	80	3500	3800	47
A3	Medium	80	4000	4000	47
C1	Medium	80	3000	4200	54
C2	Medium	80	3500	4200	54
C3	Medium	80	4000	4500	54

ACCESSORIES	DESCRIPTION CODE	PRODUCT CODE
Drywall Mount Kit (Imperial)	GESK11	69523



Photometric Data: Lumination™ 2' x 4' Recessed Troffer ET 24 Series

Medium: ET-24-X-C3-X-X-XXXX (4000K 400MA).IES

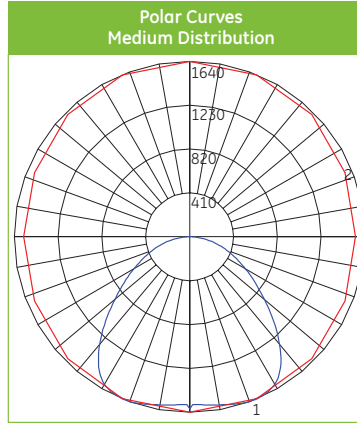
CANDLEPOWER SUMMARY			
Angle	0°	45°	90°
45°	2131	2073	2059
55°	1883	1739	1708
65°	1595	1484	1481
75°	1310	1310	1337
85°	847	1058	1182

ZONAL LUMEN SUMMARY	
Zone	Lumens
10	154.21
10-20	458.44
20-30	729.63
30-40	889.28
40-50	852.33
50-60	684.41
60-70	481.87
70-80	278.03
80-90	84.29
90-100	0.61
100-110	0.42
110-120	0.41
120-130	0.47
130-140	0.59
140-150	0.61
150-160	0.53
160-170	0.37
170-180	0.13

COEFFICIENTS OF UTILIZATION																										
RC	80%					70%					50%					30%					10%					0%
RW	70%	50%	30%	10%	70%	50%	30%	10%	50%	30%	10%	50%	30%	10%	50%	30%	10%	50%	30%	10%	0%					
0	119	119	119	119	116	116	116	116	111	111	111	106	106	106	102	102	102	102	102	102	100					
1	109	104	100	97	106	102	98	95	98	95	92	94	91	89	90	88	87	84	84	84	84					
2	100	92	85	79	97	90	84	78	86	81	77	83	79	75	80	76	73	71	71	71	71					
3	91	81	73	67	89	79	72	66	76	70	65	73	68	64	71	66	62	60	60	60	60					
4	84	72	63	57	81	70	62	56	68	61	56	66	60	55	63	58	54	52	52	52	52					
5	77	64	56	49	75	63	55	49	61	54	48	59	53	48	57	52	47	45	45	45	45					
6	71	58	49	43	69	57	49	43	55	48	42	54	47	42	52	46	42	40	40	40	40					
7	66	53	44	38	64	52	44	38	50	43	38	49	42	37	48	42	37	35	35	35	35					
8	61	48	40	34	60	47	39	34	46	39	34	45	38	33	44	38	33	31	31	31	31					
9	57	44	36	31	56	44	36	30	42	35	30	41	35	30	40	34	30	28	28	28	28					
10	54	41	33	28	53	40	33	28	39	32	28	38	32	27	37	32	27	26	26	26	26					

NOTE: Floor Reflectance : 20%

ZONAL LUMEN SUMMARY			
Zone	Lumens	% of Lamp	% of Fixture
0-20	612.66	NA	13.30%
0-30	1342.29	NA	29.10%
0-40	2231.57	NA	48.30%
0-60	3768.31	NA	81.60%
0-80	4528.22	NA	98.10%
0-90	4612.5	NA	99.90%



Product Specifications:

Optical System:

Lumination LED Luminaires use Intrinsic™ technology to deliver superior performance and greater control of how the light is distributed. This allows for better spacing of fixtures while still providing good uniformity on the task plane and face of the luminaire. Intrinsic™ helps to create a space that feels brighter, cleaner and more modern with improved efficiency and reducing the "cave effect" associated with recessed luminaires.

- Precision formed optical assembly comprised of injection molded high specular reflectors, and an injection molded conformal transmissive lens.
- High optical grade acrylic providing good efficiency and impact resistance
- LED light engine consists of a precision die-cast aluminum heat sink, a Metal Core Printed Circuit Board Assembly (MCPCB)
- Beam Uniformity: Du'v' = 0.0008
- Luminance Uniformity: 2:1 max to min
- No visible diodes

Construction:

- Durable, long lasting bezel construction. Steel, Electrogalvanized, Cold-rolled, Commercial quality coated with Electrostatic Powder Coat Paint
- IP Rating: IP30
- Impact Resistance: IK=3

Electrical System:

- Class 1, replaceable, high efficiency LED driver rated for 100,000 hours when used within operating conditions.
- Audible Noise - Per 29CFR 1910 sub part G: <24 dba (1 foot)
- Thermal overload protection shuts down the luminaire when system temperatures exceed designed operating conditions
- THD: <20%
- Transient Protection: 100 kHz ring wave, 2.5 kV level
- Environmental Testing: High Temperature High Humidity: 60°C /90% (non-condensing)
- Electronic Vibration Testing: Multi Axis, Random Vibration Profile: 2-2000 Hz, 5Gs on electronics
- Input Current: 120V/54W - 450mA
230V/54W - 240mA
277V/54W - 210mA

Installation:

- Drivers and internal components accessed via plenum. Driver box may be removed from fixture during service.
- T-grid mounting brackets provided with luminaire. Mounting holes provided for hanging wire.
- Integrated galvanized PSU enclosure delivers low profile and ease of installation
- Seismic Rating: Earthquake/Hurricane clips provided standard. Bracket security test per UL1598 Fixture mounted to grid and inverted for 60 sec.
- Luminaire Vibration Testing: Luminaire test to 1.5 G, 100,000 cycles per axis, 2 axis

For more information and access to all of our resources, including our design tool visit: www.gelighting.com



GE Lighting • 1-888-MY-GE-LED (1-888-69-43-533) • www.gelighting.com

GE Lighting Solutions, LLC is a subsidiary of the General Electric Company. The GE brand, logo, Lumination and Intrinsic are trademarks of the General Electric Company. © 2014 GE Lighting Solutions, LLC. Information provided is subject to change without notice. All values are design or typical values when measured under laboratory conditions.