



General Specification



Commercial Grade,

360° Passive Infrared Occupancy

High Bay Ceiling Sensors

Model No. : MPC-50H

Description

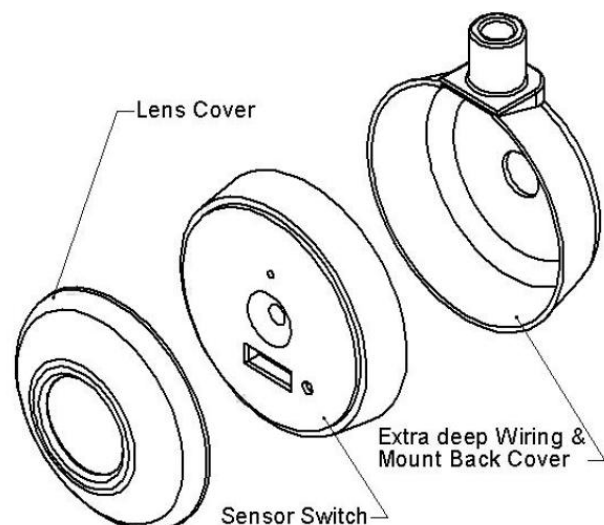
The passive infrared sensors work by detecting the difference between heat emitted from the human body in motion and the background space. The sensor switch can turn a load on and hold it as long as the sensor detects occupancy. After no motion is detected for the set time delay, the load turned off automatically. MPC-50H has one relay to be installed as standalone switch or in series with snap type switch(s), also includes Ambient Light Level Sensor.

Features

- When installed standalone, it is a fully automatic switch which will make decision on its own to turn On and Hold the load On while occupancy detected, and also turns off the load after the set time vacancy
- When install in series with snap switch, if the snap switch stays ON, it Turn lights ON/OFF automatically (works like Occupancy Sensor), if the snap switch is OFF, Manual ON / automatically OFF (works like Vacancy Mode)
- Time Delay is adjustable from 15 seconds (test mode) to 30 minutes
- Single relays for single feed & single output
- Two levels of sensitivity settings:
50% & 100%
- Light level is adjustable
- Exchangeable Lens and Mask to meet different field requirements
- Compatible all electronic ballast
- Neutral wire required
- Low power consumption
- Zero Crossing for long relay life

Testing & Code Compliance

- UL/CUL Listed device
- California Title 24



Coverage:

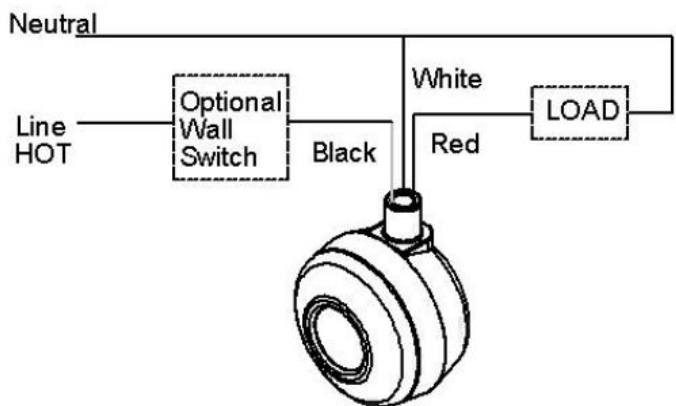
Covering Maximum Area of 54 feet in diameter when installed at 18 feet high
 Installation from 18 feet to 36 feet high, 360° view

Specifications:

Voltage120/277 Vac, 60 Hz
 Incandescent800W
 Fluorescent800VA@120Vac / 1600VA@277Vac
 Motor1/4 HP
 Time Delay15 Sec to 30 Mins
 Light Level30 Lux – Datlight
 Operation Temperating32 F to 131 F

Installation & wiring:

Black wire leads to Line Hot, Red wire to Load, White wire to Neutral



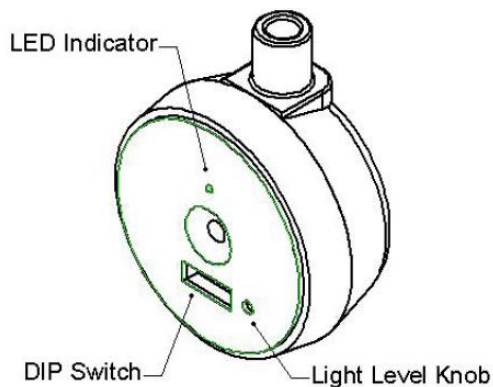
Installation Mounting

Direct mount to fixture

Controls

Light Level Knob:

Factory default at Maximum,
 counter clockwise to step down



Dip Switch					
1		2	3	4	
Off	50% Sensitivity	OFF	OFF	OFF	Time Delay 15 Second
On	100% Sensitivity *	OFF	OFF	ON	Time Delay 3 Minutes *
		OFF	ON	OFF	Time Delay 5 Minutes
		OFF	ON	ON	Time Delay 10 Minutes
		ON	OFF	OFF	Time Delay 15 Minutes
		ON	OFF	ON	Time Delay 20 Minutes
		ON	ON	OFF	Time Delay 25 Minutes
		ON	ON	ON	Time Delay 30 Minutes

Note: * is Factory Default