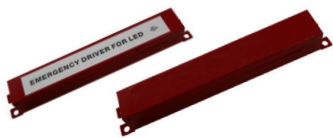




- Easily replace CFL lamps with long-lasting, energy efficient LEDs.
- Replaces 42W CFL lamps.
- Easily switch between CCTs via a switch on the lamp.
- Up to 1400 lumen output.
- Suitable for damp environments.
- Not for use in enclosed fixtures.
- Quad tube design provides omni-directional light distribution.
- Hybrid driver allows operation on line voltage or with a compatible ballast.
- For dimensions and ballast compatibility see pg 2.

..... FLEXCOLOR SWITCH BETWEEN 3 CCTs

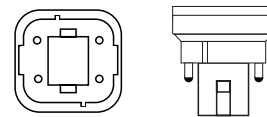
EMERGENCY LIGHTING OPTIONS
(AVAILABLE SEPARATELY)



WORKS W/ LED-EMG-05WCP



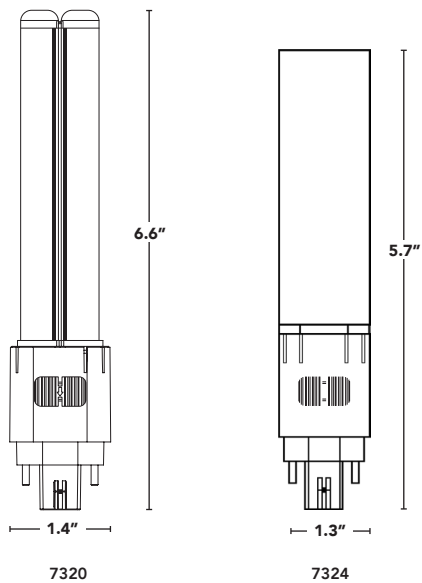
G24Q BASE



PART #	UPC	REPLACES	WATTAGE	LUMENS	FLEXCOLOR	BASE
LED-7320-FC1-G4	197810000419	42W 4 Pin	10W	1400	3000K/3500K/4000K	G24q/GX24q
LED-7320-FC2-G4	197810004080				2700K/4000K/5000K	
LED-7324-FC1-G4*	197810004073		9W		3000K/3500K/4000K	
LED-7324-FC2-G4*	197810004097				2700K/4000K/5000K	

*7324 IN STOCK DECEMBER 2024





BALLAST COMPATIBILITY LIST

	COMPATIBLE BALLASTS	1 LAMP / 120V	1 LAMP / 277V	2 LAMP / 120V	2 LAMP / 277V
PHILIPS / ADVANCE	2S13-H1-LD	✓	✓	✓	✓
	2S18-H1-LD	✓	✓	✓	✓
	2S26-H1-LD	✓	✓	✓	✓
	2S42-M2-LD	✓	✓	✓	✓
UNIVERSAL / TRIAD	C213UNVME	✓	✓	✓	✓
	C218UNVME	✓	✓	✓	✓
	C2642UNVME	✓	✓	✓	✓
OSRAM / SYLVANIA	QTP1/2X18CF/UN DM	✓	✓	✓	✓
	QTP 2X26CF/UNV DM	✓	✓	✓	✓
KEYSTONE	KTEB-226-UV-TP-PIC-DW	✓	✓	✓	✓

✓ = COMPATIBLE