



LED DOUBLE RING FLUSHMOUNT

► **DESIGN** - LED DOUBLE RING FLUSHMOUNT has a modern, multipurpose design and a stylish look with efficient lighting. Durable housing resistant to rust and impact along with an acrylic lens provide many years of use. It is designed to operate on 120V or 120-277V circuits.

► **COLOR SELECTABLE** - You can choose either a 2,700K soft white, 3,000K warm white, 3,500K neutral white, 4,000K cool white, or 5,000K daylight color temperature.

► **BATTERY BACK-UP** - The built-in battery back-up provide 90 minutes of power in case of emergency.

► **MOTION SENSOR** - The built-in microwave motion sensor will turn the fixture off automatically when no motion is detected.

► **DIMMING** - Smooth triac dimming capabilities ranging from 10% to 100% with modern LED dimmers allow you to control the look and feel of your space.

► **APPLICATION** - The fixture provides bright, yet smooth lighting for your family room, bedroom, hallway, corridor, or any other common areas. 2.75" and 3.5" mounting holes help you expand your installation options. This fixture is also Damp Locations rated.

► **ADVANTAGES** - With a lifespan of 50,000 hours, these fixtures are made to last decades under normal operation! ASD provides a 5-year limited warranty along with ETL and Energy Star certifications to guarantee top quality products and safety.

Catalog number	
Notes	
Type	



Finish: Nickel Bronze Black

Model	Size	Watts	Voltage	Dimmable	Lumens	CCT	Finish	Dimensions (LxWxH)
LFMDR								
ASD-LFMDR-10D16CC-NK	10 inch	16W	120 V	TRIAC	up to 1,041 lm	3CCT (3,000/4,000/5,000 K)	Nickel	10-5/16" x 10-5/16" x 3-1/2"
ASD-LFMDR-12D15CC-NK	12 inch	15W	120 V	TRIAC	up to 1,094 lm	3CCT (3,000/4,000/5,000 K)	Nickel	11-13/16" x 11-13/16" x 3-1/8"
ASD-LFMDR-12D20CC-NK	12 inch	20W	120 V	TRIAC	up to 1,532 lm	3CCT (3,000/4,000/5,000 K)	Nickel	11-13/16" x 11-13/16" x 3-1/8"
ASD-LFMDR-MV-12D20CC-NK	12 inch	20W	120-277 V	TRIAC	up to 1,580 lm	3CCT (3,000/4,000/5,000 K)	Nickel	11-13/16" x 11-13/16" x 3-1/8"
ASD-LFMDR-12D20CC-BK	12 inch	20W	120 V	TRIAC	up to 1,532 lm	3CCT (3,000/4,000/5,000 K)	Black	11-13/16" x 11-13/16" x 3-1/8"
ASD-LFMDR-14D21CC-NK	14 inch	21W	120 V	TRIAC	up to 1,675 lm	3CCT (3,000/4,000/5,000 K)	Nickel	14" x 14" x 3-9/16"
ASD-LFMDR-MV-14D21CC-NK	14 inch	21W	120-277 V	TRIAC	up to 1,725 lm	3CCT (3,000/4,000/5,000 K)	Nickel	14" x 14" x 3-9/16"
ASD-LFMDR-14D21CC-BZ	14 inch	21W	120 V	TRIAC	up to 1,675 lm	3CCT (3,000/4,000/5,000 K)	Oil rubbed bronze	14" x 14" x 3-9/16"
ASD-LFMDR-14D21CC-BK	14 inch	21W	120 V	TRIAC	up to 1,675 lm	3CCT (3,000/4,000/5,000 K)	Black	14" x 14" x 3-9/16"
ASD-LFMDR-16D24CC-NK	16 inch	24W	120 V	TRIAC	up to 1,854 lm	3CCT (3,000/4,000/5,000 K)	Nickel	15-3/4" x 15-3/4" x 3-3/4"
ASD-LFMDR-MV-16D24CC-NK	16 inch	24W	120-277 V	TRIAC	up to 2,118 lm	3CCT (3,000/4,000/5,000 K)	Nickel	15-3/4" x 15-3/4" x 3-3/4"
ASD-LFMDR-16D24CC-BZ	16 inch	24W	120 V	TRIAC	up to 1,854 lm	3CCT (3,000/4,000/5,000 K)	Oil rubbed bronze	15-3/4" x 15-3/4" x 3-3/4"
ASD-LFMDR-16D24CC-BK	16 inch	24W	120 V	TRIAC	up to 1,854 lm	3CCT (3,000/4,000/5,000 K)	Black	15-3/4" x 15-3/4" x 3-3/4"
ASD-LFMDR-18D28CC-NK	18 inch	28W	120 V	TRIAC	up to 2,230 lm	3CCT (3,000/4,000/5,000 K)	Nickel	17-11/16" x 17-11/16" x 4-1/16"
ASD-LFMDR-MV-18D28CC-NK	18 inch	28W	120-277 V	TRIAC	up to 2,744 lm	3CCT (3,000/4,000/5,000 K)	Nickel	17-11/16" x 17-11/16" x 4-1/16"
ASD-LFMDR-18D28CC-BZ	18 inch	28W	120 V	TRIAC	up to 2,230 lm	3CCT (3,000/4,000/5,000 K)	Oil rubbed bronze	17-11/16" x 17-11/16" x 4-1/16"
ASD-LFMDR-18D28CC-BK	18 inch	28W	120 V	TRIAC	up to 2,230 lm	3CCT (3,000/4,000/5,000 K)	Black	17-11/16" x 17-11/16" x 4-1/16"
FMOV								
ASD-FMOV-24D38NK	24 inch	38W	120 V	TRIAC	up to 3,289 lm	5CCT (2,700/3,000/3,500/4,000/5,000 K)	Nickel	24" x 13-9/16" x 4-5/16"
ASD-FMOV-24D38BK	24 inch	38W	120 V	TRIAC	up to 3,289 lm	5CCT (2,700/3,000/3,500/4,000/5,000 K)	Black	24" x 13-9/16" x 4-5/16"
ASD-FMOV-32D50NK	32 inch	50W	120 V	TRIAC	up to 4,195 lm	5CCT (2,700/3,000/3,500/4,000/5,000 K)	Nickel	35-5/16" x 18-1/8" x 4-5/16"
ASD-FMOV-32D50BK	32 inch	50W	120 V	TRIAC	up to 4,195 lm	5CCT (2,700/3,000/3,500/4,000/5,000 K)	Black	35-5/16" x 18-1/8" x 4-5/16"
LFMOV								
ASD-LFMOV-MV-32D45CC-NK	32 inch	45W	120-277 V	TRIAC	up to 3,750 lm	3CCT (3,000/4,000/5,000 K)	Nickel	32-7/16" x 18-1/8" x 4-13/16"
ASD-LFMOV-MV-32D45CC-BZ	32 inch	45W	120-277 V	TRIAC	up to 3,750 lm	3CCT (3,000/4,000/5,000 K)	Oil rubbed bronze	32-7/16" x 18-1/8" x 4-13/16"
ASD-LFMOV-MV-32D45CC-BK	32 inch	45W	120-277 V	TRIAC	up to 3,750 lm	3CCT (3,000/4,000/5,000 K)	Black	32-7/16" x 18-1/8" x 4-13/16"
LFMDR-MS WITH MOTION SENSOR								
ASD-LFMDR-MV-12N15CC-MS-NK	12 inch	15W	120-277 V	-	up to 1,402 lm	3CCT (3,000/4,000/5,000 K)	Nickel	12" x 12" x 3-1/8"
ASD-LFMDR-MV-14N21CC-MS-NK	14 inch	21W	120-277 V	-	up to 1,725 lm	3CCT (3,000/4,000/5,000 K)	Nickel	14" x 14" x 3-1/2"
LFMDR-EM WITH BATTERY BACK-UP								
ASD-LFMDR-MV-12D20CC-EM-NK	12 inch	20W	120-277 V	TRIAC	up to 1,876 lm	3CCT (3,000/4,000/5,000 K)	Nickel	11-13/16" x 11-13/16" x 4-5/16"
ASD-LFMDR-MV-14D21CC-EM-NK	14 inch	21W	120-277 V	TRIAC	up to 1,854 lm	3CCT (3,000/4,000/5,000 K)	Nickel	13-3/4" x 13-3/4" x 4-11/16"
ASD-LFMDR-MV-16D24CC-EM-NK	16 inch	24W	120-277 V	TRIAC	up to 2,116 lm	3CCT (3,000/4,000/5,000 K)	Nickel	15-3/4" x 15-3/4" x 4-3/4"

For detailed luminous flux information please refer to Annex, page 7.

For most up-to-date spec sheets please refer to asd-lighting.com



LED DOUBLE RING FLUSHMOUNT

PRODUCT SPECIFICATIONS:

Construction & Materials						
Housing	Steel	for FMOV models: Metal				
Lens	Acrylic	for FMOV models: PC				
Finish	Nickel, Oil rubbed bronze, Black					
Weight	ASD-LFMDR-10D16CC-NK	1.3 lbs (0.6 kg)	ASD-LFMDR-16D24CC-NK	3 lbs (1.4 kg)	ASD-FMOV-32D50NK	3.1 lbs (1.4 kg)
	ASD-LFMDR-12D15CC-NK	1.7 lbs (0.8 kg)	ASD-LFMDR-MV-16D24CC-NK		ASD-FMOV-32D50BK	
	ASD-LFMDR-12D20CC-NK		ASD-LFMDR-16D24CC-BZ		ASD-LFMOV-MV-32D45CC-NK	
	ASD-LFMDR-MV-12D20CC-NK	1.6 lbs (0.7 kg)	ASD-LFMDR-16D24CC-BK	4.3 lbs (2 kg)	ASD-LFMOV-MV-32D45CC-BZ	6.9 lbs (3.1 kg)
	ASD-LFMDR-12D20CC-BK	1.7 lbs (0.8 kg)	ASD-LFMDR-18D28CC-NK		ASD-LFMOV-MV-32D45CC-BK	
	ASD-LFMDR-14D21CC-NK	2.5 lbs (1.1 kg)	ASD-LFMDR-MV-18D28CC-NK	1.7 lbs (0.8 kg)	ASD-LFMDR-MV-12N15CC-MS-NK	1.8 lbs (0.8 kg)
	ASD-LFMDR-MV-14D21CC-NK		ASD-LFMDR-18D28CC-BZ		ASD-LFMDR-MV-14N21CC-MS-NK	2.6 lbs (1.2 kg)
	ASD-LFMDR-14D21CC-BZ	2.5 lbs (1.1 kg)	ASD-LFMDR-18D28CC-BK		ASD-LFMDR-MV-12D20CC-EM-NK	2.4 lbs (1.1 kg)
	ASD-LFMDR-14D21CC-BK		ASD-FMOV-24D38NK	ASD-LFMDR-MV-14D21CC-EM-NK	4.1 lbs (1.9 kg)	
				ASD-FMOV-24D38BK	ASD-LFMDR-MV-16D24CC-EM-NK	4.9 lbs (2.2 kg)
Environmental system						
Work environment	Suitable for Damp Locations					
Operating temperature	-4°F to 113°F (-20°C to 45°C)		for FMOV models: -4°F to 104°F (-20°C to 40°C)			
L-70 Life	> 50,000 hrs					
Optical system						
Color temperature	3CCT switch (3,000/4,000/5,000 K), 3,000 K by default					
	5CCT switch (2,700/3,000/3,500/4,000/5,000 K), 3,000 K by default					
CRI	> 80					
Electrical system						
Input voltage	120 V					
	for MV models: 120-277 V					
Max input current	ASD-LFMDR-10D16CC-NK	0.175 A	ASD-LFMDR-16D24CC-NK	0.25 A	ASD-FMOV-32D50NK	0.19 A
	ASD-LFMDR-12D15CC-NK	0.15 A	ASD-LFMDR-MV-16D24CC-NK	0.6 A	ASD-FMOV-32D50BK	
	ASD-LFMDR-12D20CC-NK	0.19 A	ASD-LFMDR-16D24CC-BZ	0.25 A	ASD-LFMOV-MV-32D45CC-NK	
	ASD-LFMDR-MV-12D20CC-NK	0.6 A	ASD-LFMDR-16D24CC-BK		ASD-LFMOV-MV-32D45CC-BZ	0.7 A
	ASD-LFMDR-12D20CC-BK	0.19 A	ASD-LFMDR-18D28CC-NK	0.5 A	ASD-LFMOV-MV-32D45CC-BK	
	ASD-LFMDR-14D21CC-NK	0.2 A	ASD-LFMDR-MV-18D28CC-NK		ASD-LFMDR-MV-12N15CC-MS-NK	0.15 A
	ASD-LFMDR-MV-14D21CC-NK	0.6 A	ASD-LFMDR-18D28CC-BZ	0.25 A	ASD-LFMDR-MV-14N21CC-MS-NK	0.35 A
	ASD-LFMDR-14D21CC-BZ	0.2 A	ASD-LFMDR-18D28CC-BK		ASD-LFMDR-MV-12D20CC-EM-NK	0.18 A
	ASD-LFMDR-14D21CC-BK			ASD-FMOV-24D38NK	0.13 A	ASD-LFMDR-MV-14D21CC-EM-NK
			ASD-FMOV-24D38BK	ASD-LFMDR-MV-16D24CC-EM-NK		
Inrush current (Action time)	ASD-LFMDR-10D16CC-NK	0.13 A (0.1 S)	ASD-LFMDR-16D24CC-NK	0.2 A (0.1 S)	ASD-FMOV-32D50NK	0.5 A (0.02 S)
	ASD-LFMDR-12D15CC-NK	0.125 A (0.1 S)	ASD-LFMDR-MV-16D24CC-NK	0.3 A (0.1 S)	ASD-FMOV-32D50BK	
	ASD-LFMDR-12D20CC-NK	0.167 A (0.1 S)	ASD-LFMDR-16D24CC-BZ	0.2 A (0.1 S)	ASD-LFMOV-MV-32D45CC-NK	0.36 A (0.1 S)
	ASD-LFMDR-MV-12D20CC-NK	0.2 A (0.1 S)	ASD-LFMDR-16D24CC-BK		ASD-LFMOV-MV-32D45CC-BZ	
	ASD-LFMDR-12D20CC-BK	0.167 A (0.1 S)	ASD-LFMDR-18D28CC-NK	0.23 A (0.1 S)	ASD-LFMOV-MV-32D45CC-BK	
	ASD-LFMDR-14D21CC-NK	0.175 A (0.1 S)	ASD-LFMDR-MV-18D28CC-NK	0.25 A (0.1 S)	ASD-LFMDR-MV-12N15CC-MS-NK	0.12 A (0.1 S)
	ASD-LFMDR-MV-14D21CC-NK	0.2 A (0.1 S)	ASD-LFMDR-18D28CC-BZ	0.23 A (0.1 S)	ASD-LFMDR-MV-14N21CC-MS-NK	0.17 A (0.1 S)
	ASD-LFMDR-14D21CC-BZ	0.175 A (0.1 S)	ASD-LFMDR-18D28CC-BK		ASD-LFMDR-MV-12D20CC-EM-NK	0.17 A (0.1 S)
	ASD-LFMDR-14D21CC-BK			ASD-FMOV-24D38NK	0.4 A (0.02 S)	ASD-LFMDR-MV-14D21CC-EM-NK
			ASD-FMOV-24D38BK	ASD-LFMDR-MV-16D24CC-EM-NK		
Off state power	0W					
Power consumption	ASD-LFMDR-10D16CC-NK	16W	ASD-LFMDR-16D24CC-NK	24W	ASD-FMOV-32D50NK	50W
	ASD-LFMDR-12D15CC-NK	15W	ASD-LFMDR-MV-16D24CC-NK		ASD-FMOV-32D50BK	
	ASD-LFMDR-12D20CC-NK	20W	ASD-LFMDR-16D24CC-BZ		ASD-LFMOV-MV-32D45CC-NK	
	ASD-LFMDR-MV-12D20CC-NK		ASD-LFMDR-16D24CC-BK	ASD-LFMOV-MV-32D45CC-BZ	45W	
	ASD-LFMDR-12D20CC-BK	21W	ASD-LFMDR-18D28CC-NK	ASD-LFMOV-MV-32D45CC-BK		
	ASD-LFMDR-14D21CC-NK		ASD-LFMDR-MV-18D28CC-NK	ASD-LFMDR-MV-12N15CC-MS-NK	15W	
	ASD-LFMDR-MV-14D21CC-NK	21W	ASD-LFMDR-18D28CC-BZ	ASD-LFMDR-MV-14N21CC-MS-NK	21W	
	ASD-LFMDR-14D21CC-BZ		ASD-LFMDR-18D28CC-BK	ASD-LFMDR-MV-12D20CC-EM-NK	20W	
	ASD-LFMDR-14D21CC-BK		ASD-FMOV-24D38NK	38W	ASD-LFMDR-MV-14D21CC-EM-NK	21W
			ASD-FMOV-24D38BK		ASD-LFMDR-MV-16D24CC-EM-NK	24W
Power factor	> 0.9 for ASD-FMOV-24D38NK, ASD-FMOV-24D38BK models: > 0.8					

For most up-to-date spec sheets please refer to asd-lighting.com

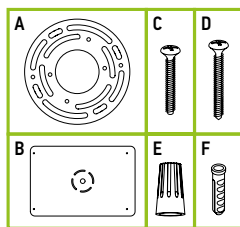


LED DOUBLE RING FLUSHMOUNT

Electrical system									
Output voltage	ASD-LFMDR-10D16CC-NK	-	ASD-LFMDR-16D24CC-NK	-	ASD-FMOV-32D50NK	120 V			
	ASD-LFMDR-12D15CC-NK		ASD-LFMDR-MV-16D24CC-NK	25-40 V	ASD-FMOV-32D50BK				
	ASD-LFMDR-12D20CC-NK	25-40 V	ASD-LFMDR-16D24CC-BZ	-	ASD-LFMOV-MV-32D45CC-NK	0.36 V			
	ASD-LFMDR-MV-12D20CC-NK		ASD-LFMDR-16D24CC-BK	ASD-LFMOV-MV-32D45CC-BZ					
	ASD-LFMDR-12D20CC-BK	-	ASD-LFMDR-18D28CC-NK	-	ASD-LFMOV-MV-32D45CC-BK	30-38 V			
	ASD-LFMDR-14D21CC-NK		ASD-LFMDR-MV-18D28CC-NK	25-37 V	ASD-LFMDR-MV-12N15CC-MS-NK				
	ASD-LFMDR-MV-14D21CC-NK	25-40 V	ASD-LFMDR-18D28CC-BZ	-	ASD-LFMDR-MV-14N21CC-MS-NK	36 V			
	ASD-LFMDR-14D21CC-BZ	-	ASD-LFMDR-18D28CC-BK	-	ASD-LFMDR-MV-12D20CC-EM-NK				
ASD-LFMDR-14D21CC-BK	ASD-FMOV-24D38NK		ASD-FMOV-24D38BK	120 V	ASD-LFMDR-MV-14D21CC-EM-NK	25-37 V			
				ASD-LFMDR-MV-16D24CC-EM-NK					
Max output current	ASD-LFMDR-10D16CC-NK	-	ASD-LFMDR-16D24CC-NK	-	ASD-FMOV-32D50NK	175 A			
	ASD-LFMDR-12D15CC-NK		ASD-LFMDR-MV-16D24CC-NK	0.6 A	ASD-FMOV-32D50BK				
	ASD-LFMDR-12D20CC-NK	0.6 A	ASD-LFMDR-16D24CC-BZ	-	ASD-LFMOV-MV-32D45CC-NK	1 A			
	ASD-LFMDR-12D20CC-BK	-	ASD-LFMDR-16D24CC-BK	-	ASD-LFMOV-MV-32D45CC-BZ				
	ASD-LFMDR-14D21CC-NK		ASD-LFMDR-18D28CC-NK	ASD-LFMOV-MV-32D45CC-BK	0.7 A	ASD-LFMDR-MV-12N15CC-MS-NK	0.35 A		
	ASD-LFMDR-MV-14D21CC-NK	ASD-LFMDR-MV-18D28CC-NK	ASD-LFMDR-MV-14N21CC-MS-NK	-		ASD-LFMDR-MV-14N21CC-MS-NK		0.58 A	
	ASD-LFMDR-MV-14D21CC-BZ	ASD-LFMDR-18D28CC-BZ	ASD-LFMDR-MV-12D20CC-EM-NK		135 A	ASD-LFMDR-MV-12D20CC-EM-NK			
	ASD-LFMDR-14D21CC-BK	ASD-LFMDR-18D28CC-BK	ASD-LFMDR-MV-14D21CC-EM-NK	ASD-FMOV-24D38NK		ASD-LFMDR-MV-14D21CC-EM-NK	0.6 A		
	ASD-FMOV-24D38BK	ASD-LFMDR-MV-16D24CC-EM-NK	ASD-FMOV-24D38BK		ASD-LFMDR-MV-16D24CC-EM-NK				
Surge protection DM/CM	1.25 kV / 1.25 kV		for MV models: 1.5 kV / 1.5 kV		for FMOV models: 0.5 kV / 0.5 kV				
Dimming compatible controls				Dimming compatible controls for FMOV					
Brand	Lutron		Leviton		Brand	Lutron	Leviton		
Models	MACL-153MLH-WH	DVCL-153PR	R02-DW6HD-2RW	DSL06	Models	CTCL-153PDH-WH-C	PWCL-153PH	MACL-153M	RDL06
	STCL-153PH-WH	P-PKG1W	R00-RNL06-0TW			DVCL-153PR-WH	DVELV-300P	DVRF-6L	
	PD-6WCL-WH-R		R68-06674-POT			S-600H-WH-CSA			
Dimming range									
10-100%									
Regular and voluntary certifications									
5-year limited warranty									
Energy Star listed (except EM, FMOV models)									
cETLus certified 4001256									
cETLus certified 5026992 (for FMOV models)									

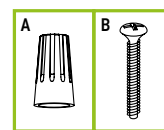
PACKAGE CONTENTS LFMOV:

Description	Q-ty
LED Oval Double Ring Flushmount	1
Mounting plate (A)	1
Template (B)	1
Screw (C)	4
Self-taping screw (D)	4
Wire nut (E)	3
Anchor (F)	4
Box	1



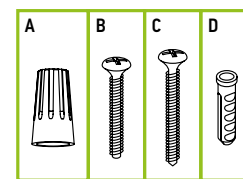
PACKAGE CONTENTS LFMDR:

Description	Q-ty
LED Double Ring Flushmount	1
Wire nut (A)	3
Screw (B)	2
Box	1



PACKAGE CONTENTS FMOV:

Description	Q-ty
LED Oval Double Ring Flushmount	1
Wire nut (A)	3
Fixture screw (B)	2
Self-taping screw (C)	4
Anchor (D)	4
Box	1



For most up-to-date spec sheets please refer to asd-lighting.com



LED DOUBLE RING FLUSHMOUNT

BUILT-IN MOTION SENSOR INFORMATION

Specifications	
Operating voltage	120-277 V
Switching capacity	max 200W (control gear) max 400W (incandescent lamp)
Standby power	< 1W
Detection area	10 %/50 %/75 %/100 %
Hold-time	5 s/90 s/5 min/15 min
Daylight threshold	2 lux (0.2 fc)/10 lux (0.9 fc)/50 lux (4.7 fc)/disable
Microwave frequency	5.8 GHz ± 75 MHz
Microwave power	< 0.3 mW
Interfaces	4-pole pluggable clamp terminal (L,N,N,L) for 1.5 mm 2 cable
Mounting height	max 39.4 ft (11.9 m)
Detection range	max 52.5 x 39.4 ft (15.8 x 11.9 m) ceiling mounted
Operating temperature	-4 to 158°F (-20 to 70°C)

 RF interference may affect the operation of this sensor.

DEFAULT SETTING:

Detection area	Hold time	Daylight sensor	Stand-by period	Stand-by dim level
100 %	10 min	Disable	0 S	10 %

ON ↑	1		2	
	I	ON	ON	100 %
II	-	ON	75 %	
III	ON	-	50 %	
IV	-	-	10 %	

ON ↑	3		4	
	I	ON	ON	5 s
II	-	ON	90 s	
III	ON	-	5 min	
IV	-	-	15 min	

ON ↑	5		6	
	I	ON	ON	Disable
II	-	ON	50 lux (4.7 fc)	
III	ON	-	10 lux (0.9 fc)	
IV	-	-	2 lux (0.2 fc)	

Detection area:

Detection area means detection coverage. It can be adjusted by combining DIP switches for specific application.

Hold time:

Hold-time is the time period the light will be ON after the last detection.

Daylight threshold:

Daylight sensor priors to motion sensor. Set threshold for specific needs. If set on 'Disable' only the motion sensor will work.

BUILT-IN BATTERY BACK-UP INFORMATION

Model	Battery watts	Lumens in emergency mode	Battery capacity	Emergency mode	Charging time
ASD-LFMDR-MV-12D20CC-EM-NK	12W	1000 lm	2,200 mAh	> 90 min	8 hours
ASD-LFMDR-MV-14D21CC-EM-NK	12W	826 lm	2,200 mAh	> 90 min	8 hours
ASD-LFMDR-MV-16D24CC-EM-NK	12W	826 lm	2,200 mAh	> 90 min	8 hours

Operating condition	Charging	Emergency mode	Test switch
 ON	 Blinking	 OFF	

- Indicator light is ON: Battery back-up fully charged and device is using circuit power.
- Indicator light is Blinking: Battery back-up recharging and device is using circuit power.
- Indicator light is OFF: Device is using battery back-up power.
- In order to test the battery back-up press the test switch one time. To turn off the emergency power state press test switch one more time.

Specifications	
Input voltage	100-277 V 50/60 Hz
AC Input current	max 110 mA
AC Input power rating	max 5.0W
Output current (voltage)	200 mA (20-36 Vdc) 360 mA (20-36 Vdc)
Output power	6W 12W
Lumens	400 lm 800 lm
Emergency time	min 90 minutes
Indicator light	Illuminated test switch
Battery	Li-ion battery - 11.1 V/2200 mAh
Battery charging current	440 mA
Charging time	8 hours
Temperature rating (Ambient)	32°F to 113°F (0°C to 45°C)
Warranty	5 years

INSTALLATION GUIDE

IMPORTANT SAFETY INFORMATION:

Please read all the instructions below before installation.

- Make sure that the supply voltage corresponds to the rated product voltage.
- The product must be installed by a qualified electrician in accordance with the National Electrical Code and corresponding local codes.
- If the product is damaged, do not use it.

WARNING

RISK OF PERSONAL INJURY – READ and follow all WARNINGS and installation instructions. Keep or give to the owner for future reference.

Risk of cuts: Wear gloves to prevent cuts or abrasions when removing from carton, handling, installing, and maintaining this product.

Risk of electric shock: This product must be installed in accordance with the applicable installation code by a person familiar with the construction and operation of the product and the hazards involved.

Risk of Fire: Minimum 194°F supply conductors. Consult a qualified electrician to ensure correct branch circuit conductor.

ASD® assumes no responsibility for claims arising out of improper or careless installation or handling of this product.

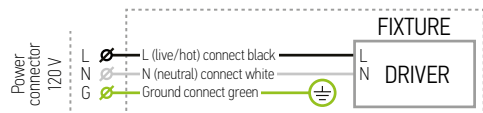
For most up-to-date spec sheets please refer to asd-lighting.com



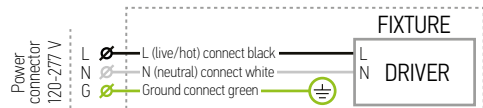
LED DOUBLE RING FLUSHMOUNT

ELECTRICAL SCHEMATIC DIAGRAM:

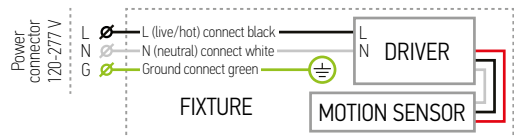
LFMDR, FMOV



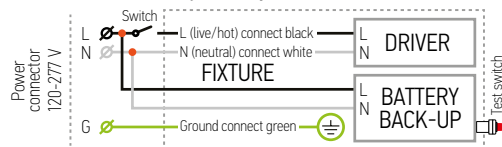
LFMDR-MV, LFMOV



LFMDR-MS with motion sensor

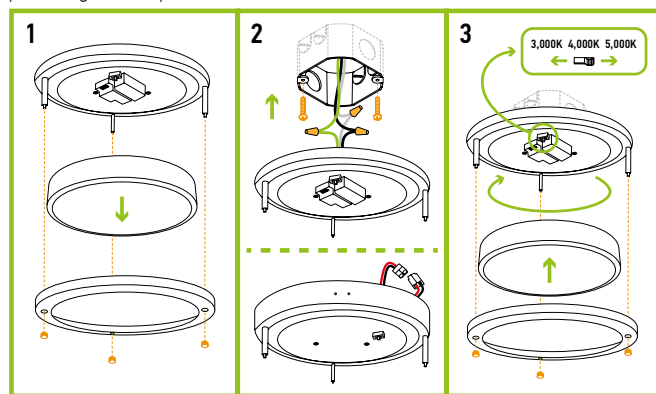


LFMDR-EM with battery back-up



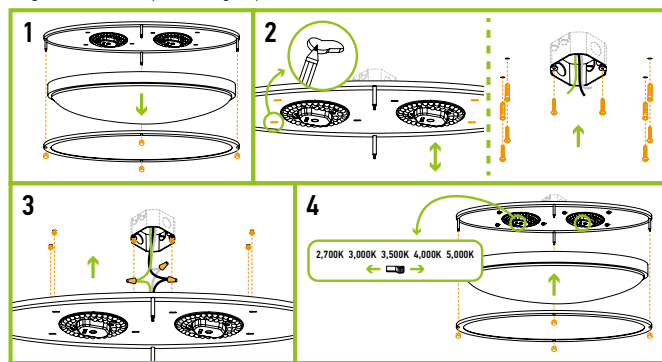
INSTALLATION STEPS LFMRD:

1. Unscrew three cap nuts counter-clockwise, remove the metal ring and the lens.
2. Attach two screws to the outlet box. Connect the wires: Black to Black, White to White, Ground to Ground. Carefully tuck all the wires back into the outlet box. In fixtures with Emergency battery connect the LED Emergency controller to the battery back-up.
3. Place the fixture pan over the outlet box and feed fixture screws through keyhole slots. Rotate the fixture pan clockwise until screws lock into the narrow end of the keyhole slots and tighten screws firmly. Choose either 3,000K, 4,000K or 5,000K with a simple switch.



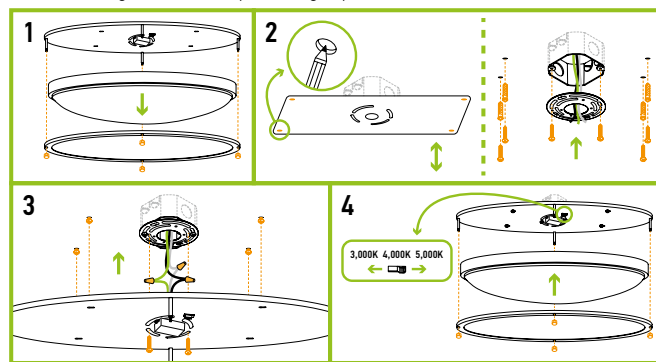
INSTALLATION STEPS FMOV:

1. Unscrew cap nuts counter-clockwise and remove the metal ring and the lens.
2. Attach the back plate to the outlet box and mark the location of the holes for the anchors. Remove the back plate and drill four appropriate sized holes for anchors, insert anchors into the holes, twist the four self-tapping screws into the anchors and two fixture screws into the outlet box.
3. Connect the wires: Black to Black, White to White, Ground to Ground. Attach the back plate to the ceiling by feeding self-tapping screws and fixture screws through the keyhole slots and then tighten them in the narrow end of the keyhole slots.
4. Choose either 2,700K, 3,000K, 3,500K, 4,000K or 5,000K with simple switches on both LED drivers. The fixture is set to 3000K by default. Secure the lens and metal ring to the fixture pan using cap nuts.



INSTALLATION STEPS LFMOV:

1. Unscrew cap nuts counter-clockwise and remove the metal ring and the lens.
2. Attach the mounting plate to the outlet box using two screws. Attach the template to the mounting plate and mark the location of the holes for the wall anchors. Remove the template and drill four appropriate sized holes for anchors, insert anchors into the holes, twist the four self-tapping screws into the anchors.
3. Connect the wires: Black to Black, White to White, Ground to Ground. Attach the back plate to the ceiling by feeding self-tapping screws through the keyhole slots and then tightening the self-tapping screws in the narrow end of the keyhole slots. Secure the fixture to the mounting plate using two screws.
4. Choose either 3,000K, 4,000K or 5,000K with a simple switch. Secure the lens and metal ring to the fixture pan using cap nuts.



For most up-to-date spec sheets please refer to asd-lighting.com



LED DOUBLE RING FLUSHMOUNT

ORDERING INFORMATION

Model	UPC	Pcs. per carton	Carton size	Carton weight	GTIN 14
LFMDR					
ASD-LFMDR-10D16CC-NK	810050731706	4	16.3" x 12" x 12.2"	9.9 lbs	10810050731703
ASD-LFMDR-12D15CC-NK	810050735728	4	15.6" x 13.2" x 13.4"	11.7 lbs	10810050735725
ASD-LFMDR-12D20CC-NK	810050735735	4	15.6" x 13.2" x 13.4"	11.7 lbs	10810050735732
ASD-LFMDR-MV-12D20CC-NK	810050732826	4	15.6" x 13.2" x 13.4"	11.6 lbs	10810050732823
ASD-LFMDR-12D20CC-BK	810128111669	4	15.6" x 13.2" x 13.4"	11.7 lbs	10810128111666
ASD-LFMDR-14D21CC-NK	810050736084	4	15.9" x 15.9" x 15.7"	16.4 lbs	10810050736081
ASD-LFMDR-MV-14D21CC-NK	819201027927	4	15.9" x 15.9" x 15.7"	16.4 lbs	10819201027924
ASD-LFMDR-14D21CC-BZ	810050736091	4	15.9" x 15.9" x 15.7"	16.4 lbs	10810050736098
ASD-LFMDR-14D21CC-BK	810128111676	4	15.9" x 15.9" x 15.7"	16.4 lbs	10810128111673
ASD-LFMDR-16D24CC-NK	810050736107	2	17.7" x 8.7" x 17.7"	10.3 lbs	20810050736101
ASD-LFMDR-MV-16D24CC-NK	810050730587	2	17.7" x 8.7" x 17.7"	10.3 lbs	20810050730581
ASD-LFMDR-16D24CC-BZ	810050736114	2	17.7" x 8.7" x 17.7"	10.3 lbs	20810050736118
ASD-LFMDR-16D24CC-BK	810128111683	2	17.7" x 8.7" x 17.7"	10.3 lbs	20810128111687
ASD-LFMDR-18D28CC-NK	810050735551	2	20.1" x 9.5" x 20.1"	13.9 lbs	20810050735555
ASD-LFMDR-MV-18D28CC-NK	810050730402	2	20.1" x 9.5" x 20.1"	14 lbs	20810050730406
ASD-LFMDR-18D28CC-BZ	810050735940	2	20.1" x 9.5" x 20.1"	13.9 lbs	20810050735944
ASD-LFMDR-18D28CC-BK	810128111690	2	20.1" x 9.5" x 20.1"	13.9 lbs	20810128111694
FMOV					
ASD-FMOV-24D38NK	810128113793	2	26.4" x 15.4" x 12.2"	6.3 lbs	10810128113790
ASD-FMOV-24D38BK	810128113809	2	26.4" x 15.4" x 12.2"	6.3 lbs	10810128113806
ASD-FMOV-32D50NK	810128113816	2	34.7" x 19.9" x 12.2"	9.7 lbs	10810128113813
ASD-FMOV-32D50BK	810128113823	2	34.7" x 19.9" x 12.2"	9.7 lbs	10810128113820
LFMOV					
ASD-LFMOV-MV-32D45CC-NK	810050732055	2	35.2" x 11.8" x 21.5"	21.3 lbs	20810050732059
ASD-LFMOV-MV-32D45CC-BZ	810050732567	2	35.2" x 11.8" x 21.5"	21.3 lbs	10810050732564
ASD-LFMOV-MV-32D45CC-BK	810128111706	2	35.2" x 11.8" x 21.5"	21.3 lbs	10810128111703
LFMDR-MS WITH MOTION SENSOR					
ASD-LFMDR-MV-12N15CC-MS-NK	810050733519	4	15.4" x 13.4" x 13.4"	12.1 lbs	10810050733516
ASD-LFMDR-MV-14N21CC-MS-NK	810050733526	4	15.9" x 15.9" x 15.9"	16.9 lbs	10810050733523
LFMDR-EM WITH BATTERY BACK-UP					
ASD-LFMDR-MV-12D20CC-EM-NK	810128112536	4	22.1" x 13.6" x 13.6"	15 lbs	10810128112533
ASD-LFMDR-MV-14D21CC-EM-NK	819201027996	4	15.9" x 15.9" x 22"	24.2 lbs	10819201027993
ASD-LFMDR-MV-16D24CC-EM-NK	819201028009	4	23.4" x 17.9" x 17.9"	31.3 lbs	10819201028006

For most up-to-date spec sheets please refer to asd-lighting.com



LED DOUBLE RING FLUSHMOUNT

ANNEX 1

Model	Watts	2,700 K	3,000 K	3,500 K	4,000 K	5,000 K
ASD-LFMDR-10D16CC-NK	16W	-	965 lm	-	1,041 lm	1,016 lm
ASD-LFMDR-12D15CC-NK	15W	-	1,050 lm	-	1,094 lm	1,045 lm
ASD-LFMDR-12D20CC-NK ASD-LFMDR-12D20CC-BK	20W	-	1,400 lm	-	1,532 lm	1,474 lm
ASD-LFMDR-MV-12D20CC-NK	20W	-	1,400 lm	-	1,580 lm	1,450 lm
ASD-LFMDR-14D21CC-NK ASD-LFMDR-14D21CC-BZ ASD-LFMDR-14D21CC-BK	21W	-	1,470 lm	-	1,675 lm	1,654 lm
ASD-LFMDR-MV-14D21CC-NK ASD-LFMDR-MV-14N21CC-MS-NK	21W	-	1,500 lm	-	1,725 lm	1,621 lm
ASD-LFMDR-16D24CC-NK ASD-LFMDR-16D24CC-BZ ASD-LFMDR-16D24CC-BK	24W	-	1,680 lm	-	1,843 lm	1,854 lm
ASD-LFMDR-MV-16D24CC-NK	24W	-	1,895 lm	-	2,118 lm	1,968 lm
ASD-LFMDR-18D28CC-NK ASD-LFMDR-18D28CC-BZ ASD-LFMDR-18D28CC-BK	28W	-	1,960 lm	-	2,230 lm	2,190 lm
ASD-LFMDR-MV-18D28CC-NK	28W	-	2,458 lm	-	2,744 lm	2,563 lm
ASD-FMOV-24D38NK ASD-FMOV-24D38BK	38W	2,990 lm	2,993 lm	3,289 lm	3,160lm	2,927 lm
ASD-FMOV-32D50NK ASD-FMOV-32D50BK	50W	3,776 lm	3,966 lm	3,936 lm	4,195 lm	3,614 lm
ASD-LFMOV-MV-32D45CC-NK ASD-LFMOV-MV-32D45CC-BZ ASD-LFMOV-MV-32D45CC-BK	45W	-	3,360 lm	-	3,750 lm	3,540 lm
ASD-LFMDR-MV-12N15CC-MS-NK	15W	-	1,300 lm	-	1,402 lm	1,346 lm
ASD-LFMDR-MV-12D20CC-EM-NK	20W	-	1,618 lm	-	1,876 lm	1,760 lm
ASD-LFMDR-MV-14D21CC-EM-NK	21W	-	1,656 lm	-	1,854 lm	1,789 lm
ASD-LFMDR-MV-16D24CC-EM-NK	24W	-	1,889 lm	-	2,116 lm	1,964 lm

For most up-to-date spec sheets please refer to asd-lighting.com