

IMPORTANT SAFEGUARDS

When using electrical equipment, basic safety precautions should always be followed including the following:

READ AND FOLLOW ALL SAFETY INSTRUCTIONS

1. To reduce the risk of electrical shock, turn off power supply before installation or servicing.
2. This luminaire must be installed in accordance with the NEC or your local electrical code. If you are not familiar with these codes and requirements, consult a qualified electrician.
3. This luminaire must be supported by main runners or other building structure that is capable of supporting fixture weight.
4. This luminaire is thermally protected. Do not install insulation within 3 inches (76 mm) of luminaire sides or junction box nor above luminaire in such a manner as to entrap heat.
5. Blinking LED may indicate fixture is too close to insulation.

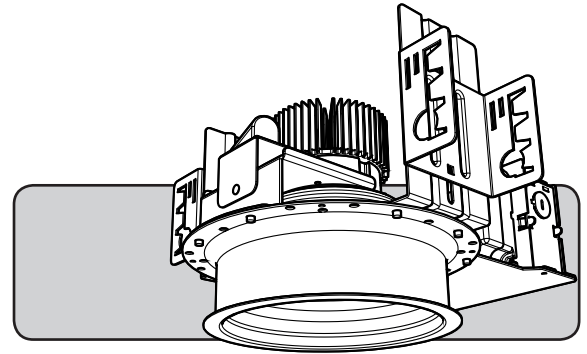
SAVE THESE INSTRUCTIONS FOR FUTURE REFERENCE

DIMMING INFORMATION

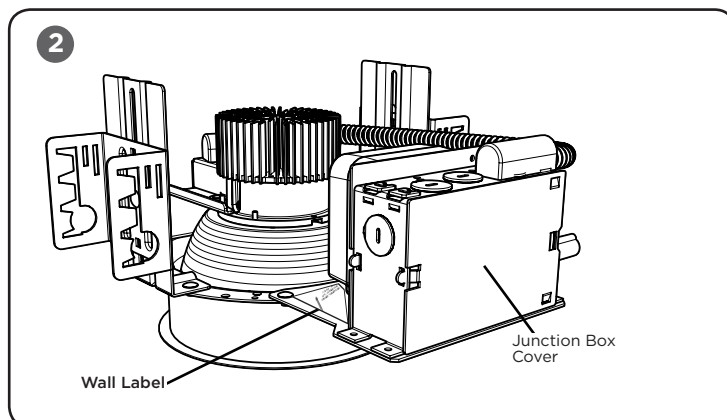
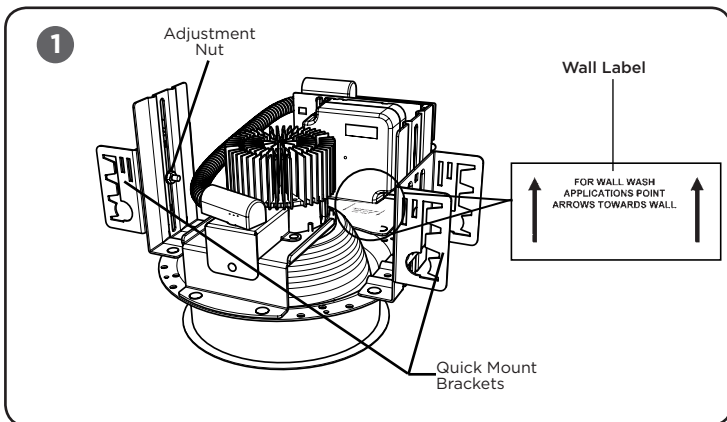
NOTE: The LMH2 850 and 1250 lumen light sources combined with the LMD125 120V drivers work with standard leading and trailing edge dimming technologies to reduce light levels down to 5%.
The LMH2 2000 and 3000 lumen light sources combined with the LMD300 120/277V drivers work with 0/1-10V dimming.

For the most current list of compatibles dimmers see the KR Document Library at the following link:
<http://www.cree.com/lighting>

INSTALLATION INSTRUCTIONS



TO INSTALL:



LUMINAIRE INSTALLATION

STEP 1:

Mark the intended location of the luminaire and cut a 6.5in. (16.5cm) diameter opening in the ceiling.

STEP 2:

Thread rigid conduit, bar stock, wire or C-channel (supplied by others) through quick-mount brackets at the sides of the fixture. See **Figure 1**.

NOTE: For Wall Wash application orientate luminaire as indicated on Wall Label. See **Figure 1**.

STEP 3:

Attach mounting means to structure capable of supporting the luminaire's weight.

STEP 4:

Adjust mounting height by loosening adjustment nut, see **Figure 1**, and then position bracket so that the bottom of the plaster ring is flush with the bottom of the opening of the finished ceiling.

STEP 5:

Tighten adjustment nut.

STEP 6:

Remove one of the junction box covers and bring in appropriate power supply to the junction box using one of the knock-outs. See **Figure 2**.

STEP 7:

Wire luminaire per "**Electrical Connections**" section and refer to trim installation sheet to install trim.

**ELECTRICAL CONNECTIONS-
850 AND 1250 LUMEN WITH 120V/277V DRIVER**

NOTE: Luminaire is intended to be wired to a specific voltage. Make sure that supply voltage matches voltage on electrical label next to the junction box. Connecting fixture to voltage other than that specified on the label may result in fixture damage and/or improper fixture operation.

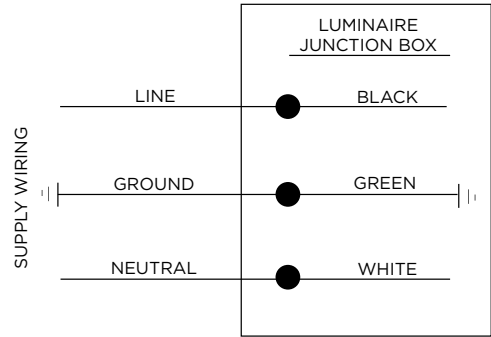
STEP 1:

Supply connections can be brought to the junction box using customer supplied conduit or cord.

STEP 2:

Using customer supplied 90°C minimum rated wire connectors, make the following electrical connections within the junction box.

- a. Connect supply ground wire to fixture ground (green).
- b. Connect supply line conductor to fixture hot (black).
- c. Connect supply neutral conductor to fixture neutral (white).



**ELECTRICAL CONNECTIONS-
2000 AND 3000 LUMEN WITH 120/277V DRIVER**

NOTE: Luminaire is intended to be wired to a specific voltage. Make sure that supply voltage matches voltage on electrical label next to the junction box. Connecting fixture to voltage other than that specified on the label may result in fixture damage and/or improper fixture operation.

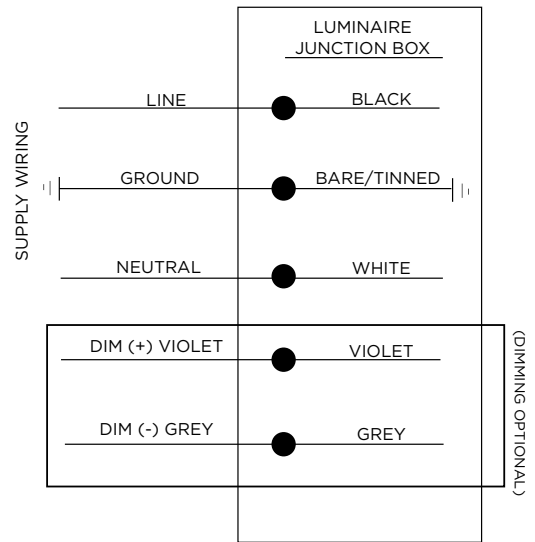
STEP 1:

Supply connections can be brought to the junction box using customer supplied conduit or cord.

STEP 2:

Using customer supplied 90°C minimum rated wire connectors, make the following electrical connections within the junction box.

- a. Connect the black fixture lead to the voltage supply lead.
- b. Connect white fixture lead to the neutral supply lead.
- c. Connect the green or green/yellow ground lead to the supply ground lead.
- d. If 0/1-10v Dimming is used, connect the violet lead to the supply positive dimming lead.
- e. If 0/1-10v Dimming is used, connect the gray lead to the supply negative dimming lead.



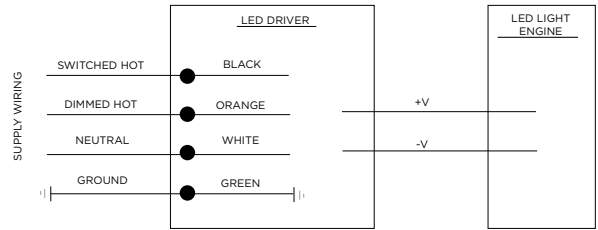
ELECTRICAL CONNECTIONS- LUTRON 3-WIRE DIMMING

NOTE: Luminaire is intended to be wired to a specific voltage. Make sure that supply voltage matches voltage on electrical label next to the junction box. Connecting fixture to voltage other than that specified on the label may result in fixture damage and/or improper fixture operation.

STEP 1:

Using customer supplied 90°C minimum rated wire connectors, make the following electrical connections within the junction box.

- Connect supply switched hot conductor to driver black.
- Connect supply dimmed hot conductor to driver orange.
- Connect supply neutral conductor to driver white.
- Connect supply ground wire to driver ground (green).



ELECTRICAL CONNECTIONS- LUTRON ECOSYSTEM DIGITAL

NOTE: Luminaire is intended to be wired to a specific voltage. Make sure that supply voltage matches voltage on electrical label next to the junction box. Connecting fixture to voltage other than that specified on the label may result in fixture damage and/or improper fixture operation.

STEP 2:

Using customer supplied 90°C minimum rated wire connectors, make the following electrical connections within the junction box.

- Connect the black fixture lead to the voltage supply lead.
- Connect white fixture lead to the neutral supply lead.
- Connect the green ground lead to the supply ground lead.
- Connect the E1 violet lead to the supply positive dimming lead.
- Connect the E2 violet lead to the supply negative dimming lead.

