



**DIRECT DRIVE LED**  
LINE VOLTAGE T8 TUBES



# KT-LED14.5T8EM-48GC-8CSJ-D

## T8 EMERGENCY BACKUP LED TUBE

### DESCRIPTION

14.5W T8 Emergency Backup LED Tube | 2000 Lumens Standard / 500 Lumens Emergency | 4 ft | Color Select: 3000/3500/4000/5000/6500K | 120-277V Input | Individually Boxed



RoHS  
Compliant



5 YEAR  
WARRANTY

**LAMP TYPE:** Emergency Linear

**BULB TYPE:** T8 LED

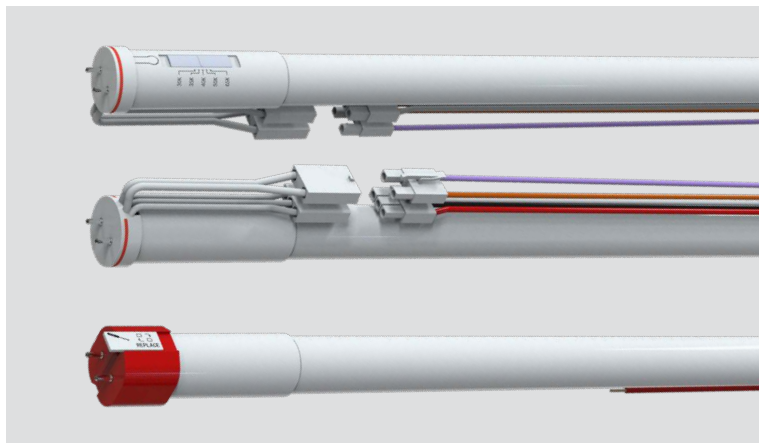
**BASE TYPE:** G13 (Medium Bi-Pin)

**WATTAGE:** 14.5W

**COLOR TEMPERATURE:** 3000/3500/4000/5000/6500K

**COLOR RENDERING INDEX (CRI):** > 80

**WARRANTY:** 5 Years

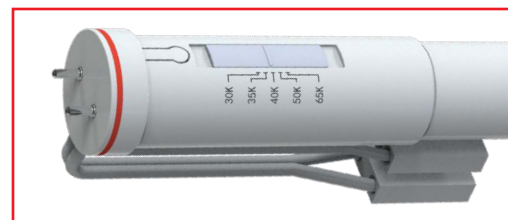


### PRODUCT FEATURES

- Designed to provide an emergency solution for T8 linear fixtures
- Fully code compliant; including UL924, UL1598C, and CEC Title 20
- 2000 lumens in standard operation mode
- 500 lumens in emergency mode for 90+ minutes
- Requires permanent installation to meet UL 924
- Operating Temperature: -20°C/-4°F to 45°C/113°F
- Storage Temperature: -30°C/-22°F to 60°C/140°F
- Not rated for use in Vapor Tight style fixtures
- Meets FCC Part 15, Class B
- 50,000+ hour lifetime
- UL Classified
- Product includes: (1) 4' lamp, (1) Test Switch, (1) Locking Socket adaptor, and (2) spare G13 snap in sockets (in case existing are damaged or brittle.)
- Battery Chemistry: Ternary Lithium

### COLOR SELECT (CCT) ADJUSTMENT

- This fixture is equipped with field-adjustable Keystone Color Select technology.
- Adjustable CCT (3000/3500/4000/5000/6500K).
- Adjust slide switch to desired setting (preset to 4000K CCT).



### ELECTRICAL SPECIFICATIONS

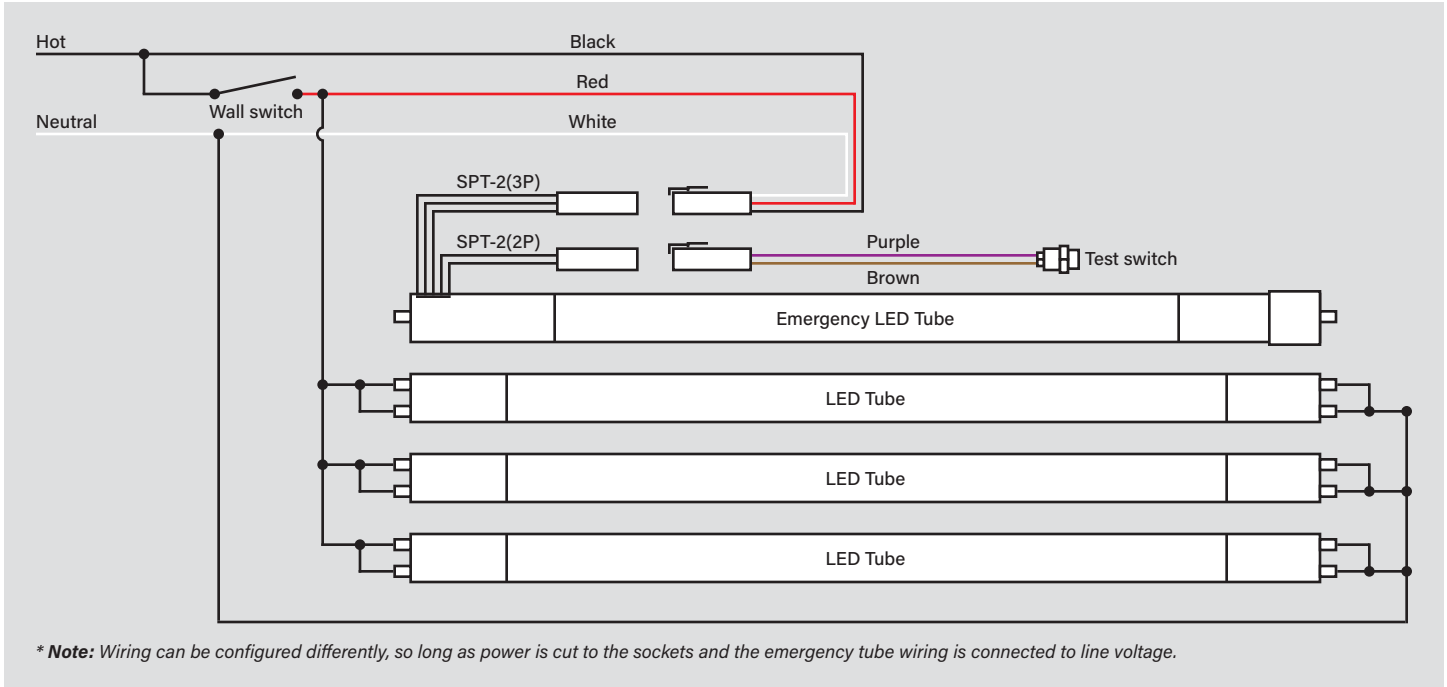
Input Voltage	Power Consumption	CCT*	Lumen Output	Efficacy	CRI	Beam Angle	Visible Light Area	Power Factor	THD	Input Current	Lifetime
120-277 Vac 60Hz	14.5W	3,000K	1,900	131 lm/W	>80	170°	325°	> 0.5	> 35%	125mA @120V 65mA @277V	50,000 hrs
		3,500K	1,900	131 lm/W							
		4,000K	2,000	138 lm/W							
		5,000K	2,000	138 lm/W							
		6,500K	2,000	138 lm/W							

\* Preset to 4000K CCT; Color Uniformity: CCT (Correlated Color Temperature) range as per guidelines outlined in ANSI C78.377-2017

# KT-LED14.5T8EM-48GC-8CSJ-D

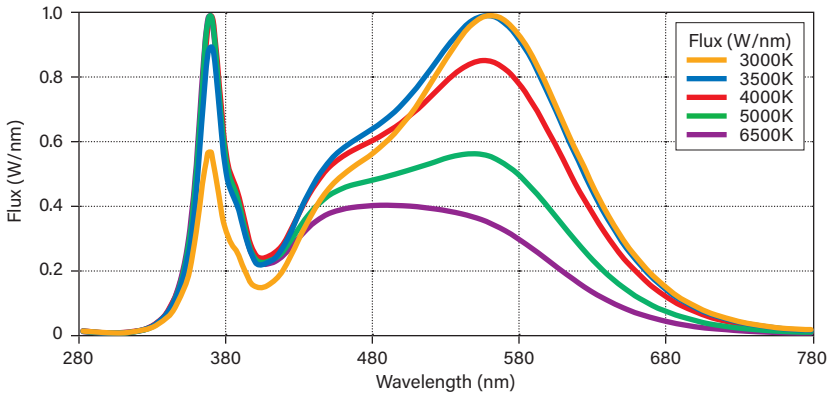
## T8 EMERGENCY BACKUP LED TUBE

### WIRING DIAGRAM\*



### PHOTOMETRIC SPECIFICATIONS

#### SPECTRAL DISTRIBUTION

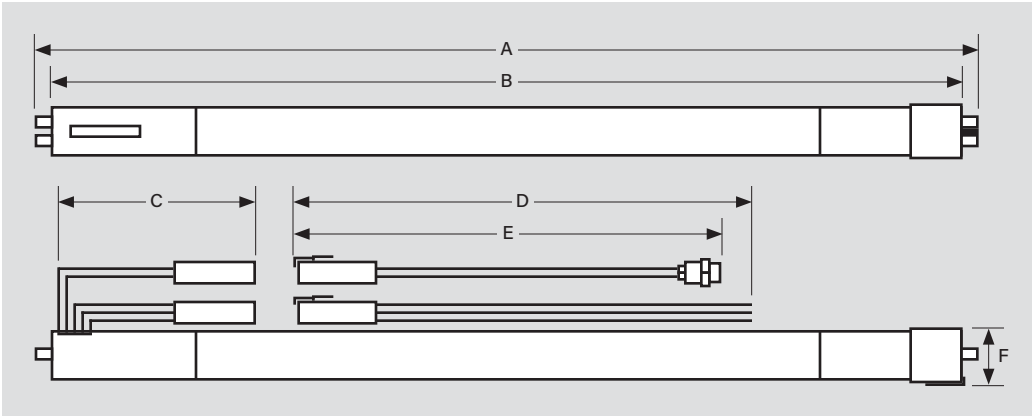




# KT-LED14.5T8EM-48GC-8CSJ-D

## T8 EMERGENCY BACKUP LED TUBE

### PHYSICAL SPECIFICATIONS



### LAMP DIMENSIONS

	Minimum	Maximum
A	47.67"	47.78"
B	—	47.22"
C	3.93"	5.91"
D	30.71"	32.28"
E	26.77"	28.35"
F	1.24"	1.32"

**NOMINAL LENGTH:** 48"  
**BASE TYPE:** G13 (Medium Bi-Pin)

### ORDERING INFORMATION

ORDER CODE	CARTON QUANTITY	UPC	EASY CODE
KT-LED14.5T8EM-48GC-8CSJ-D	6 pcs	843654161303	VWA-17

### CATALOG NUMBER BREAKDOWN

# KT-LED14.5T8EM-48GC-8CSJ-D

1 2 3 4 5 6 7 8 9 10 11

- 1 Keystone Technologies
- 2 LED Lamp
- 3 Wattage
- 4 Lamp Type
- 5 Emergency Backup
- 6 Nominal Length (Inches)
- 7 Glass Construction
- 8 CRI
- 9 Color Select
- 10 Color Select Designation
- 11 DirectDrive

### 10 Color Select Designation

J	3000/3500/4000/5000/6500K
---	---------------------------