



KTLD-SC-ADPT-1C / G2

PROGRAMMING ACCESSORIES

DESCRIPTION

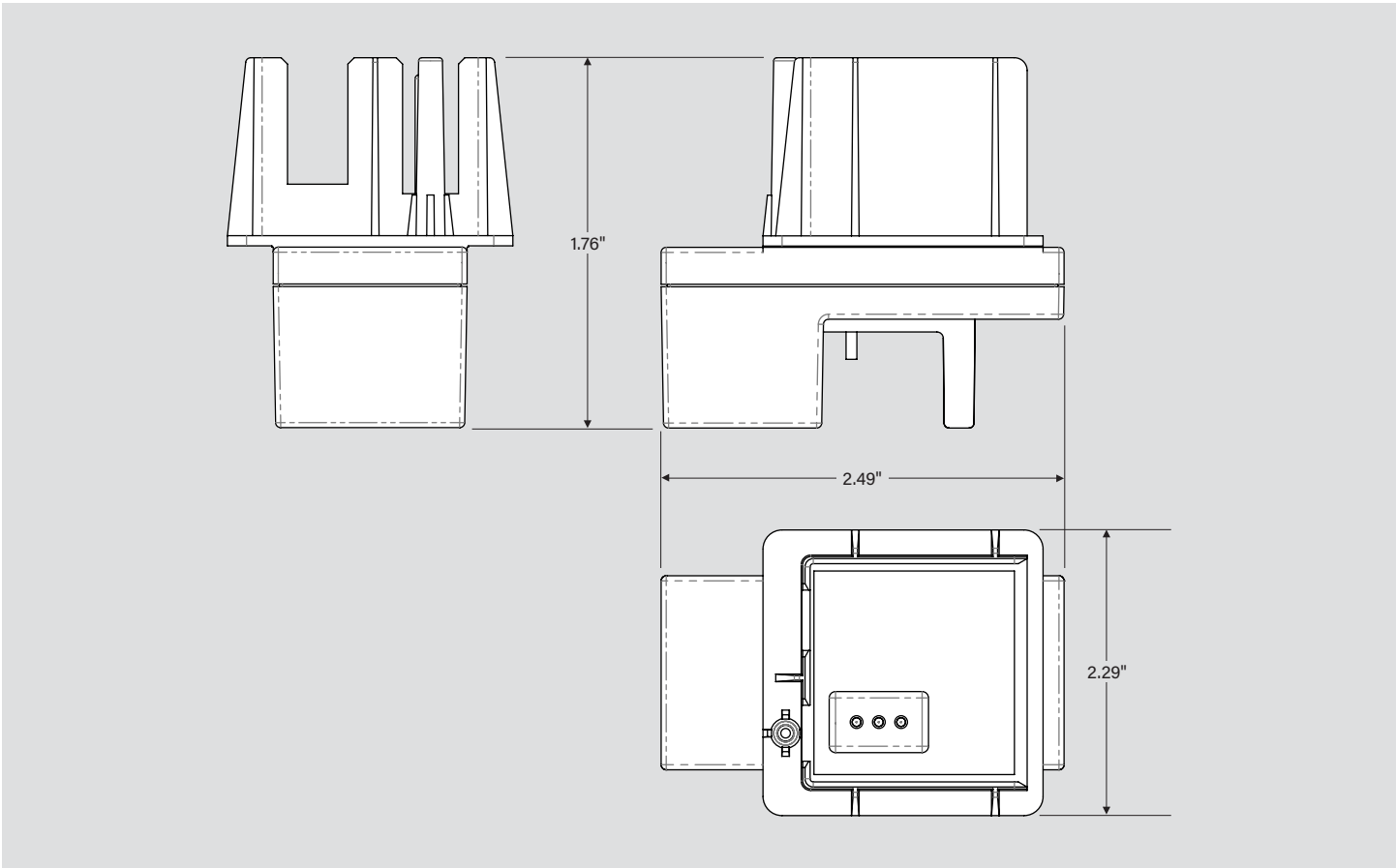
Programming Jig Adapter for Keystone Smart Current LED Driver |
Used in Conjunction with KTLD-SC-PGMR-1 / G2

APPLICATION

For use with AF1 and AF4 Case Drivers



PHYSICAL SPECIFICATIONS





KTLD-SC-ADPT-1C / G2

PROGRAMMING ACCESSORIES

CATALOG NUMBER BREAKDOWN

KTLD-SC-ADPT-1C / G2

1

2

3

4

5

6

- 1 Keystone Technologies LED Driver
- 2 Smart Current
- 3 Adapter
- 4 Works with Programming Jig Revision 1
- 5 Shape/Type
- 6 Second Generation