



## KTLD-SC-PGMR-1 / G2

### PROGRAMMING ACCESSORIES

#### DESCRIPTION

Smart Current Cradle | Programming Jig for  
Keystone Smart Current LED Driver, U5 and U4 Case

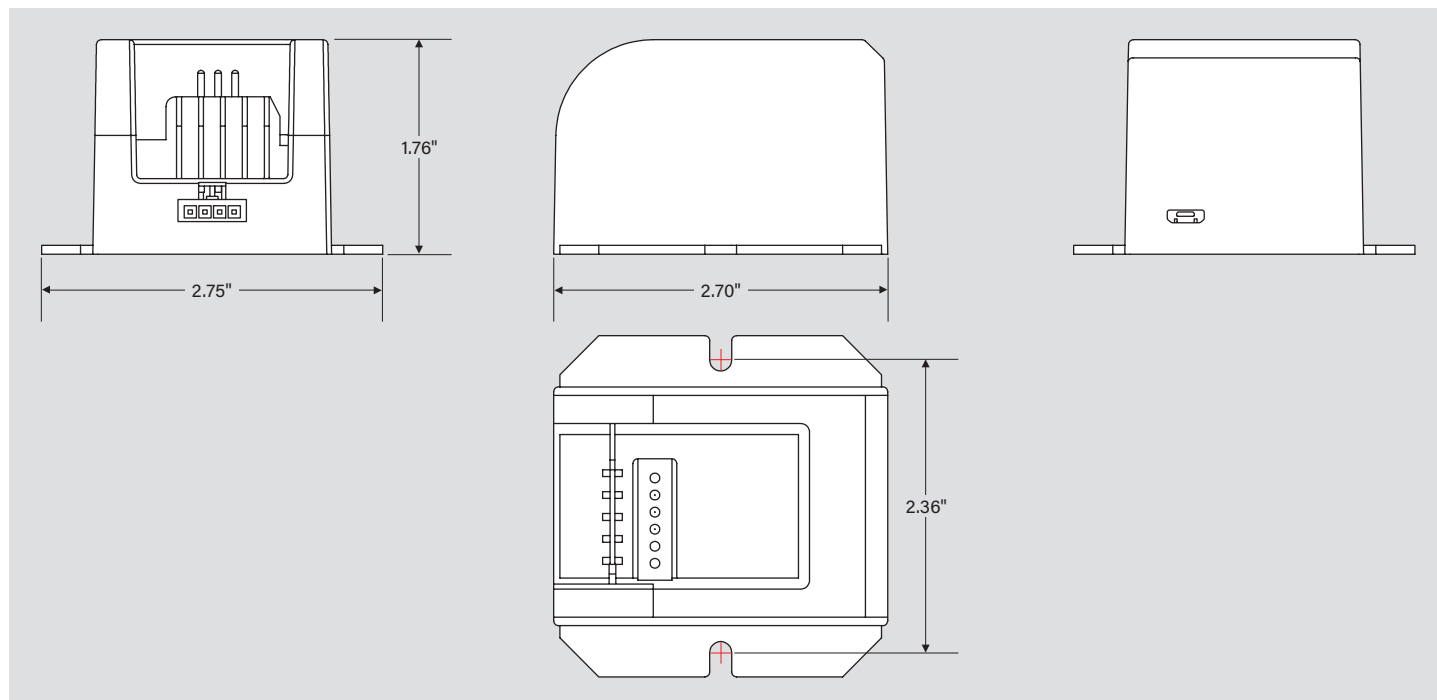
#### APPLICATION

For use with W1 Case Drivers



**5 YEAR**  
WARRANTY

#### PHYSICAL SPECIFICATIONS



#### CATALOG NUMBER BREAKDOWN

## KTLD-SC-PGMR-1 / G2

1

2

3

4

5

- 1 Keystone Technologies LED Driver
- 2 Smart Current
- 3 Programmer
- 4 Revision 1
- 5 Second Generation