



Flex Series

Recessed Canless Downlight

The **Flex Downlight Series** is designed to satisfy a wide range of general illumination applications up to 4600 lumens. Available in 4", 6", and 8" apertures with selectable lumen and CCT for easy changes at installation. The integral 120–277V driver provides 0–10V and ELV/Triac phase dimming making it ideal for a wide range of applications

CONSTRUCTION

Reflector:	Spun aluminum
Lens:	Diffuse Polycarbonate
Paint:	Powder coat white
Weights:	Up to 1.8 lbs (0.82 kg)
Optical Assembly:	Custom engineered reflectors for wide distribution

CONTROLS

Dimming:	Multi-Dim 0–10V to 1% and ELV/Triac Phase Dimming to 5%
-----------------	---

OPTICAL SYSTEM

Lumens:	Selectable, 750–4600 lm See ordering logic below
Distribution:	Very Wide (90°) with 1.1 Spacing Criteria
Efficacy:	Up to 106 LPW
CCT:	Selectable 2700K/3000K/ 3500K /4000K/5000K <i>Bold indicates switch default</i>
CRI:	90 CRI

AMBIENT TEMPERATURE

TYPE	TEMPERATURE RATE
Operating Temperature	25° C

LUMEN MAINTENANCE

L80 > 54,000 hrs
L70 > 54,000 hrs

ELECTRICAL

Input Voltage:	120–277V
Input Frequency:	50/60Hz
Power Factor (PF)*:	PF>0.9
Total Harmonic Distortion (THD)*:	<20%

* PF and THD may vary with options

MOUNTING

- New construction, Remodel, and Retrofit
- Install from below
- Optional frame kits for new construction

DESIGN LIFE & WARRANTY

- ETL Listed, 4" model IC rated; 6" and 8" models are Non-IC; Air-tight rated, JA-8 (4" only)
- **Current's Limited 5-year Warranty:** Please see website.



Ordering Information Module

LRX

X

9

SW

FAMILY	SHAPE/SIZE	LUMENS ¹	CRI	CCT	DIMMING	OPTIONS
LRX = Lumination® Flex Downlight	R4 = 4" Round Downlight	1X = 750/1100/ 1500	9 = 90	SW = Selectable CCT (2700K/3000K/ 3500K /4000K/5000K)	Standard with Multi-Dim 0-10V to 1% and ELV/Triac Phase Dimming to 5%	Standard without Emergency Ready EL = Emergency Ready ²
	R6 = 6" Round Downlight	2X = 1100/1500/ 2500				
	R8 = 8" Round Downlight	4X = 3000/4000/ 4600				

Notes:

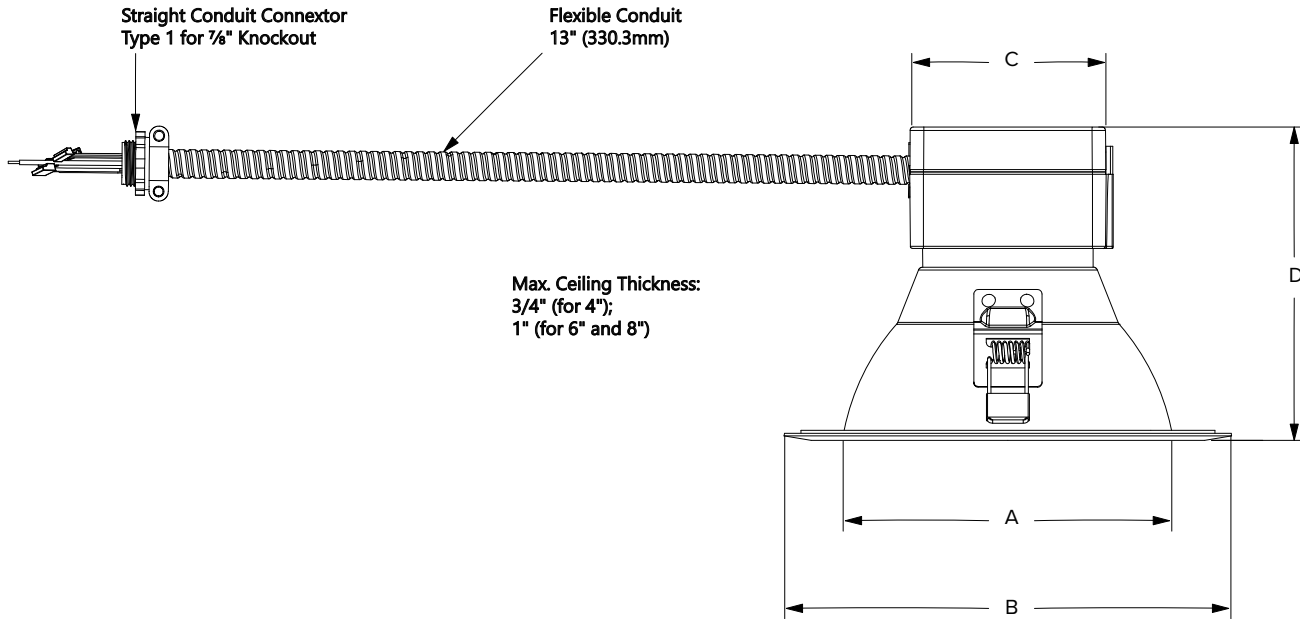
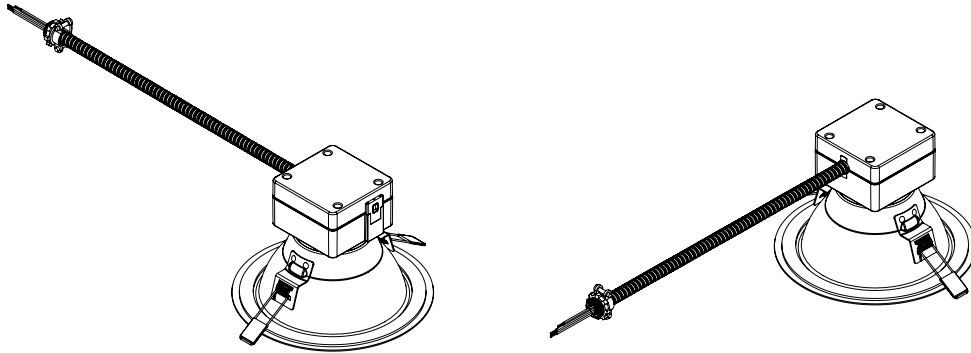
1. Default settings are in **BOLD**.
2. EL Emergency Ready must be ordered with EMBB Accessory Kits (see Accessories section for compatibility details).

ACCESSORIES

All Accessories are ordered separately

CATALOG STRING	PRODUCT DESCRIPTION	NOTES
FRAME KITS		
FRAME4R-HB/J-BOX	Frame Kit, New Construction, 4" Round	Includes J-Box and Bar Hangers
FRAME6R-HB/J-BOX	Frame Kit, New Construction, 6" Round	Includes J-Box and Bar Hangers
FRAME8-HB/J-BOX	Frame Kit, New Construction, 8" Round	Includes J-Box and Bar Hangers
EMBB KITS		
LDEMBBKIT07	Emergency Battery Backup Kit, Remote Mount	
COLOR TRIM RINGS		
LRXTRIMR4WH	Trim Ring, Snap-In, 4" Round, White	Non-Conductive
LRXTRIMR4BL	Trim Ring, Snap-In, 4" Round, Black	Non-Conductive
LRXTRIMR4SV	Trim Ring, Snap-In, 4" Round, Silver	Non-Conductive
LRXTRIMR6WH	Trim Ring, Snap-In, 6" Round, White	Non-Conductive
LRXTRIMR6BL	Trim Ring, Snap-In, 6" Round, Black	Non-Conductive
LRXTRIMR6SV	Trim Ring, Snap-In, 6" Round, Silver	Non-Conductive
LRXTRIMR8WH	Trim Ring, Snap-In, 8" Round, White	Non-Conductive
LRXTRIMR8BL	Trim Ring, Snap-In, 8" Round, Black	Non-Conductive
LRXTRIMR8SV	Trim Ring, Snap-In, 8" Round, Silver	Non-Conductive

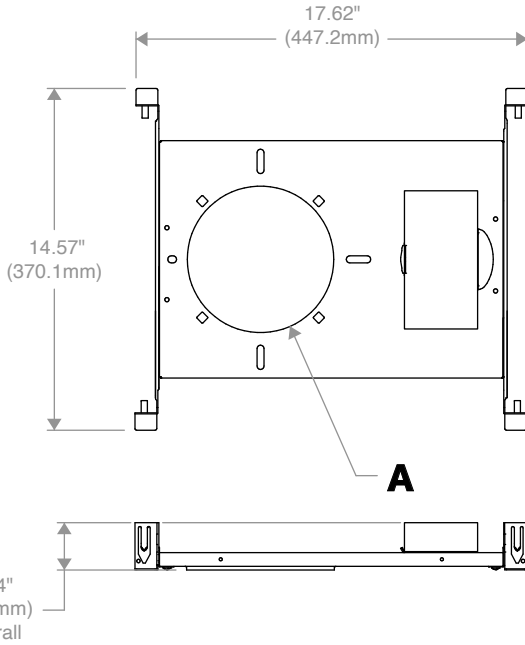
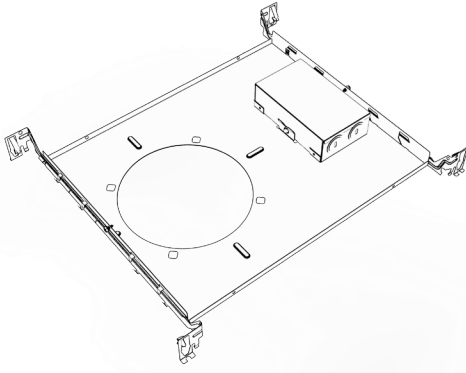
LUMINATION® FLEX DOWNLIGHTS



APERTURE	CEILING CUTOUT MIN.-MAX.
4"	4.7" ~ 5.0" (119.4mm ~ 127.0mm)
6"	6.0" ~ 6.7" (152.4mm ~ 170.2mm)
8"	7.8" ~ 8.8" (198.1mm ~ 223.5mm)

NOMINAL APERTURE	"A" APERTURE DIAMETER	"B" OVERALL TRIM DIAMETER	"C" OVERALL MODULE HEAT SINK	"D" OVERALL HEIGHT (ASSEMBLED)
4"	3.98" (101.2mm)	5.6" (142.3mm)	3.40" (86.4mm)	4.68" (118.8mm)
6"	5.59" (141.9mm)	7.75" (196.8mm)	3.40" (86.4mm)	5.43" (137.8mm)
8"	7.43" (188.6mm)	9.75" (247.6mm)	3.40" (86.4mm)	6.02" (152.8mm)

OPTIONAL FRAME KITS



Shown with J-BOX after snap-in field installation
(ships uninstalled)

ACCESSORY	DESCRIPTION	"A" DIAMETER
FRAME4R-HB/J-BOX	4" Round	4.88" (123.8mm)
FRAME6R-HB/J-BOX	6" Round	6.63" (168.3mm)
FRAME8-HB/J-BOX	8" Round	8.07" (205mm)

PERFORMANCE TABLE

NOMINAL APERTURE	SWITCHABLE LUMEN SETTING	NOMINAL LUMENS	CAT #	CCT	CRI	DELIVERED LUMENS	WATTS	LPW
4"	Low	750	LRXR41X9SW	27K	90	773	8.8W	88
				30K		780	8.8W	89
				35K		787	8.8W	90
				40K		795	8.7W	92
				50K		807	8.8W	92
	Med	27K		1100		1090	12.8W	85
		30K				1105	12.8W	86
		35K				1119	12.8W	87
		40K				1133	12.9W	88
		50K				1153	12.9W	89
	High	27K		1500		1521	18.9W	80
		30K				1539	19.1W	81
		35K				1560	19.1W	82
		40K				1572	19.1W	83
		50K				1583	19.1W	83
6"	Low	1100	LRXR62X9SW	27K	90	1160	13.4W	87
				30K		1183	13.4W	89
				35K		1205	13.3W	91
				40K		1227	13.3W	92
				50K		1258	13.3W	95
	Med	27K		1500		1470	17.4W	84
		30K				1506	17.5W	86
		35K				1540	17.5W	88
		40K				1570	17.5W	90
		50K				1613	17.5W	92
	High	27K		2500		2351	30.8W	76
		30K				2403	30.8W	78
		35K				2455	30.7W	80
		40K				2502	30.7W	82
		50K				2543	30.5W	83
8"	Low	3000	LRXR84X9SW	27K	90	3032	29.7W	102
				30K		3074	29.8W	103
				35K		3096	29.8W	104
				40K		3118	29.7W	105
				50K		3132	29.5W	106
	Med	27K		4000		3973	41.5W	96
		30K				4011	41.4W	97
		35K				4074	41.5W	98
		40K				4101	41.6W	99
		50K				4116	41.5W	99
	High	27K		4600		4477	48.7W	92
		30K				4527	48.6W	93
		35K				4568	48.5W	94
		40K				4596	48.4W	95
		50K				4611	48.2W	96

Photometric Data

4" Round

3000K

1500 LM

Selectable

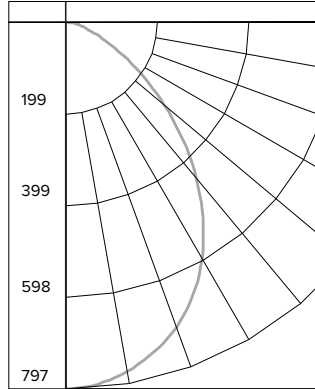
LRXR41X9SW

Beam Angle: 90°

Spacing Criterion: 1:14

ZONAL LUMEN SUMMARY

Zone	Lumens	% Luminaire
0-40	914	59.4
0-60	1383	89.9
0-90	1539	100.0
0-180	1539	100.0



CANDELA DISTRIBUTION

Degree	Candela
0	797
5	790
15	744
25	657
35	522
45	362
55	208
65	94
75	42
85	10

LUMINANCE DATA*

Vertical Angle	Average
45°	63029
55°	44731
65°	27368
75°	19860
85°	14525

*Candela/Square Meter

6" Round

3000K

2500 LM

Selectable

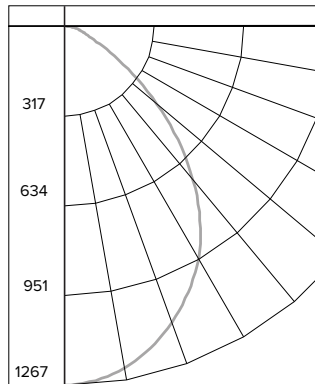
LRXR62X9SW

Beam Angle: 90°

Spacing Criterion: 1:14

ZONAL LUMEN SUMMARY

Zone	Lumens	% Luminaire
0-40	1464	60.9
0-60	2194	91.3
0-90	2403	100.0
0-180	2403	100.0



CANDELA DISTRIBUTION

Degree	Candela
0	1267
5	1255
15	1178
25	1037
35	840
45	571
55	298
65	117
75	58
85	15

LUMINANCE DATA*

Vertical Angle	Average
45°	44257
55°	28493
65°	15117
75°	12283
85°	9402

*Candela/Square Meter

8" Round

3000K

4600 LM

Selectable

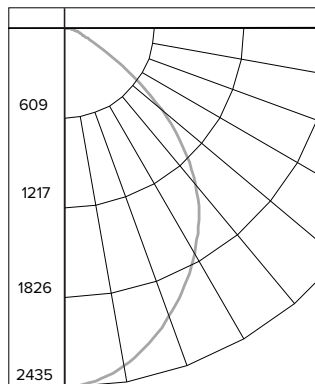
LRXR84X9SW

Beam Angle: 90°

Spacing Criterion: 1:12

ZONAL LUMEN SUMMARY

Zone	Lumens	% Luminaire
0-40	2753	60.8
0-60	4189	92.5
0-90	4527	100
0-180	4527	100



CANDELA DISTRIBUTION

Degree	Candela
0	2435
5	2407
15	2222
25	1940
35	1608
45	1156
55	600
65	198
75	92
85	24

LUMINANCE DATA*

Vertical Angle	Average
45°	50384
55°	32245
65°	14448
75°	10910
85°	8482

*Candela/Square Meter

Dimmer Compatibility List

Important Notice

Because dimming equipment, applications, and conditions of use are many, varied, and beyond Current's control, this information necessarily is based on limited samples sizes and testing. This list only included dimmers that have been tested with the Current's luminaires listed. There may be other dimmers on the market that are compatible with these Current's luminaires. If you have a question about a particular dimmer that is not on the list, please contact Current to see if the model has been tested, or to arrange testing.

1. Adjust the dimmer to the lowest setting.
2. Locate the trim adjustment and set to the lowest light level where the light output is stable.
3. Turn fixture off and on to ensure proper operation. If it is not operating as expected, adjust the trim up slightly and retest.

DIMMER TYPE	DIMMER MANUFACTURER	DIMMER SERIES/MODELS
0-10V	Current	PSD0108-UNV
	Current	RSD710
	Leviton	IPL06-10Z
	Leviton	6674-P0W
	Leviton	DSM10-ILZ
	Leviton	IP710
	Lutron	NTSTV-DV
	Lutron	DVSTV
	Lutron	DVTV
	Synergy	ISD BC 120/277
	Cooper	SF10P-W
	Enerlites	51300L
Eaton	DF10P-C1	
Triac	Lutron	CTCL-153P-WH
	Lutron	S2-LH
	Lutron	DV-600P
	Lutron	DV-603P-LA
	Lutron	CT-603P(R)-WH
	Lutron	DVCL-153P
	Legrand	HCL453PTCCCV6
	Synergy/Leviton	ISD 600 I 120 / IPI06
	Leviton	6633-PA
	Leviton	6631-PLW
	Leviton	6613-PLA
	Lutron	NLV-600-WH
ELV	Current	RSDE06
	Lutron	DVELV-300P-AL
	Lutron	NTELV-300-WH
	Lutron	SELV-300P
	Insteon	2477D
	Lutron	PD-5NE