

Project Name:	Type:
Part Number:	Date:

EXTERNAL DRIVER T5

FEATURES

- Replaces 2' / 3' / 4' T5 & 4' T5HO Fluorescent lamp
- **Compatible with GREEN CREATIVE external drivers only**
- Flicker Free (percent flicker and flicker index are less than one percent)
- Utilizes existing lamp holders – shunted or non-shunted
- Ultra-high efficacy up to 155 LPW
- Opaque plastic lens reduces glare
- 270° wide light emitting area
- 0-10V dimming (dims to 10%)
- Parallel output driver requires no minimum lamp load to operate properly
- Suitable for use in enclosed fixture and damp location
- Meets NSF Requirements (use of a shatter guard required)
- Fixture operating temperature: -4°F to 95°F (-20°C to 35°C)
- Lamp ambient temperature: -4°F to 113°F (-20°C to 45°C)
- Rated lifetime(L70) up to: 60,000hrs
- 5 year limited warranty* / 10 year available
(see EXTENDED WARRANTIES table for information)
- Suitable for indoor general lighting & industrial high bay application
- Lamp and driver DLC listed as a system (4' T5 lamp based systems only;
DLC does not qualify 2' or 3' T5 lamps at this time)



072324



SPECIFICATIONS - LAMP

Product	Model	Nominal Length	Equiv.	Life (hrs)	Wattage	Lumens	CCT	CRI	Efficacy (LPW)	Beam Angle	DLC	DOE
98321	22T5HO/4F/830/EXT	4'	54W	50,000	22	3,200	3000K	82	145	120°	√	√
98322	22T5HO/4F/835/EXT	4'	54W	50,000	22	3,200	3500K	82	145	120°	√	√
98323	22T5HO/4F/840/EXT	4'	54W	50,000	22	3,400	4000K	82	155	120°	√	N.A.
98324	22T5HO/4F/850/EXT	4'	54W	50,000	22	3,400	5000K	82	155	120°	√	N.A.
98312	13.5T5HE/4F/830/EXT	4'	28W	60,000	13.5	1,800	3000K	82	133	120°	√	√
98313	13.5T5HE/4F/835/EXT	4'	28W	60,000	13.5	1,850	3500K	82	137	120°	√	√
98314	13.5T5HE/4F/840/EXT	4'	28W	60,000	13.5	2,000	4000K	82	148	120°	√	√
98310	11T5HE/3F/835/EXT	3'	21W	60,000	11	1,550	3500K	82	141	120°	N.A.	√
98311	11T5HE/3F/840/EXT	3'	21W	60,000	11	1,650	4000K	82	150	120°	N.A.	√
98307	9.5T5HE/2F/835/EXT	2'	14W	60,000	9.5	1,400	3500K	82	147	120°	N.A.	√
98308	9.5T5HE/2F/840/EXT	2'	14W	60,000	9.5	1,500	4000K	82	158	120°	N.A.	√

* Please visit www.greencreative.com for Limited Warranty terms.



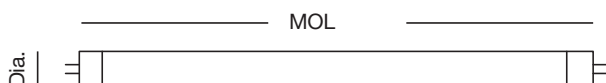
EXTERNAL DRIVER T5

SPECIFICATIONS - EXTERNAL DRIVER											
Product	Model	Max. Lamp Quantity	Input Voltage (V)	Input Freq. (Hz)	Max. Input Current (A)	Output Voltage (V)	Output Current (A)	Dim.	Max Case Temperature (°C/°F)	Power Factor	THD
98259	15T8T5HEDRIVER/2CH/R	2	120-277	50/60	0.31	DC 30-48	0.30 * 2	0-10V	90/194	0.9	<20%
98260	15T8T5HEDRIVER/4CH/R	4	120-277	50/60	0.60	DC 30-48	0.30 * 4	0-10V	90/194	0.9	<20%
98261	24T5HODRIVER/2CH/R	2	120-277	50/60	0.48	DC 24-42	0.55 * 2	0-10V	90/194	0.9	<20%
98262	24T5HODRIVER/4CH/R	4	120-277	50/60	0.94	DC 24-42	0.55 * 4	0-10V	85/185	0.9	<20%

SPECIFICATIONS - LAMP & DRIVER SYSTEM											
External Driver Information			98259				98260				
			15T8T5HEDRIVER/2CH/R				15T8T5HEDRIVER/4CH/R				
Lamp Information			1 Lamp		2 Lamps		3 Lamps		4 Lamps		
			Product	Model	CCT	System Power	Flux	System Power	Flux	System Power	Flux
98312	13.5T5HE/4F/830/EXT	3000K	15	1,800	30	3,600	45	5,400	60	7,200	
98313	13.5T5HE/4F/835/EXT	3500K	15	1,850	30	3,700	45	5,550	60	7,400	
98314	13.5T5HE/4F/840/EXT	4000K	15	2,000	30	4,000	45	6,000	60	8,000	
98310	11T5HE/3F/835/EXT	3500K	13	1,550	26	3,100	39	4,650	52	6,200	
98311	11T5HE/3F/840/EXT	4000K	13	1,650	26	3,300	39	4,950	52	6,600	
98307	9.5T5HE/2F/835/EXT	3500K	12	1,400	24	2,800	36	4,200	48	5,600	
98308	9.5T5HE/2F/840/EXT	4000K	12	1,500	24	3,000	36	4,500	48	6,000	

External Driver Information			98261				98262				
			24T5HODRIVER/2CH/R				24T5HODRIVER/4CH/R				
Lamp Information			1 Lamp		2 Lamps		3 Lamps		4 Lamps		
			Product	Model	CCT	System Power	Flux	System Power	Flux	System Power	Flux
98321	22T5HO/4F/830/EXT	3000K	26	3,200	52	6,400	78	9,600	104	12,800	
98322	22T5HO/4F/835/EXT	3500K	26	3,200	52	6,400	78	9,600	104	12,800	
98323	22T5HO/4F/840/EXT	4000K	26	3,400	52	6,800	78	10,200	104	13,600	
98324	22T5HO/4F/850/EXT	5000K	26	3,400	52	6,800	78	10,200	104	13,600	

DIMENSION & WEIGHT



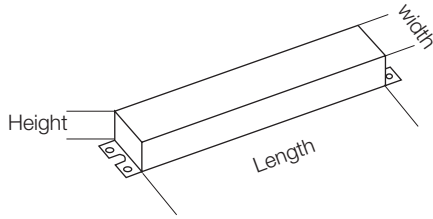
Model	9.5T5HE/2F/xxx/EXT	11T5HE/3F/xxx/EXT	13.5T5HE/4F/xxx/EXT 22T5HO/4F/xxx/EXT
Base	G5	G5	G5
MOL	22"	34"	45-3/4"
Dia.	11/16"	11/16"	11/16"
Weight	0.17lb	0.26lb	0.33lb

Where xxx means 824-965 which indicates CRI and color temperature



EXTERNAL DRIVER T5

DIMENSION & WEIGHT



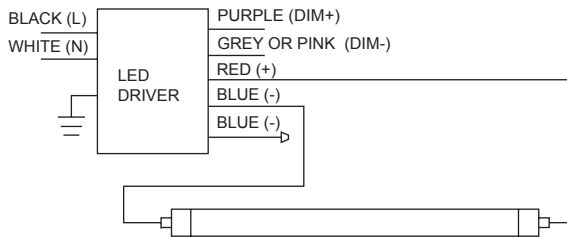
Model	15T8T5HEDRIVER/2CH/R 15T8T5HEDRIVER/4CH/R 24T5HODRIVER/2CH/R	24T5HODRIVER/4CH/R
Length	9-1/2"	9-1/2"
Width	1-5/16"	1-3/4"
Height	1-3/16"	1-3/16"
Weight	1.0 lb	1.4 lb

INSTALLATION

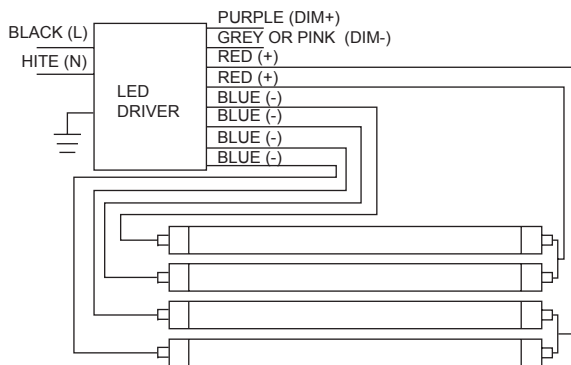
Double-ended Installation

- For shunted & non-shunted lamp holders
- Not polarity sensitive, lamps can be wired at either end

1 LAMP



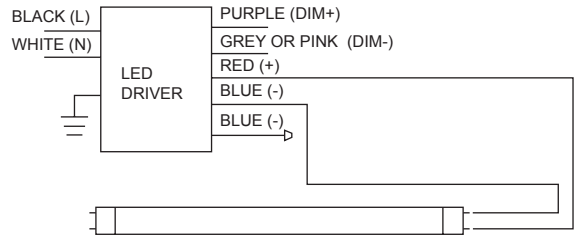
4 LAMPS



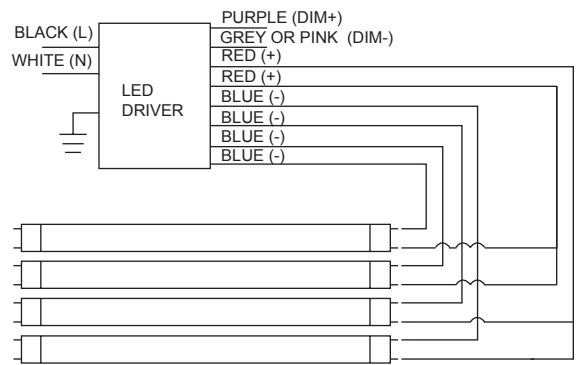
Single-ended Installation

- For non-shunted lamp holders only
- Not polarity sensitive, lamps can be wired at either end

1 LAMP



4 LAMPS

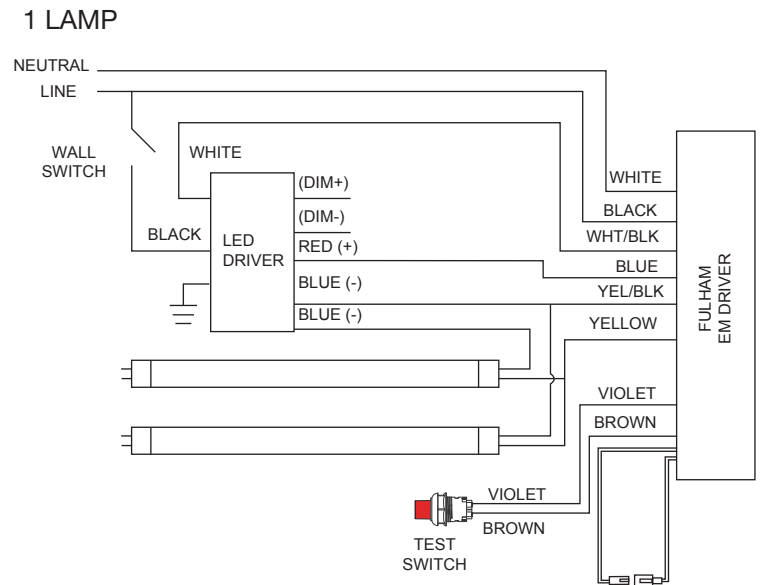
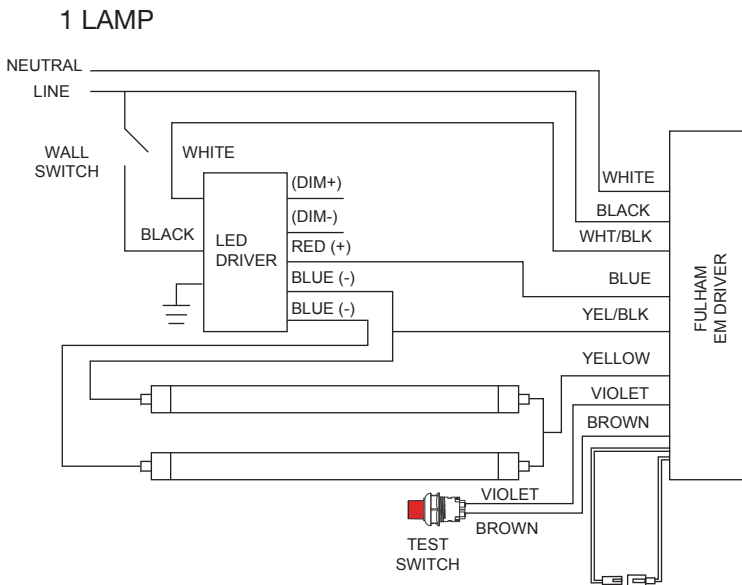




EXTERNAL DRIVER T5

ACCESSORY ORDERING INFORMATION					
Product	Model	Description	Pictures	Dimensions	Compatible Skus
35797	FU10W/T5T8/EXT/EMDRIVER	FHSCP-UNV-10.7WL			9.5T5HE/2F/8xx/EXT 11T5HE/3F/8xx/EXT 13.5T5HE/4F/8xx/EXT 22T5HO/4F/8xx/EXT
35799	FU17W/T5T8/EXT/EMDRIVER	FHSCP-UNV-17WL			22T5HO/4F/8xx/EXT
37934	8EMINVERTER	California Title 20 Compliant 8W Emergency LED Inverter (Field Installation)			9.5T5HE/2F/8xx/EXT 11T5HE/3F/8xx/EXT 13.5T5HE/4F/8xx/EXT
37935	21EMINVERTER	California Title 20 Compliant 21W Emergency LED Inverter (Field Installation)			9.5T5HE/2F/8xx/EXT 11T5HE/3F/8xx/EXT 13.5T5HE/4F/8xx/EXT 22T5HO/4F/8xx/EXT

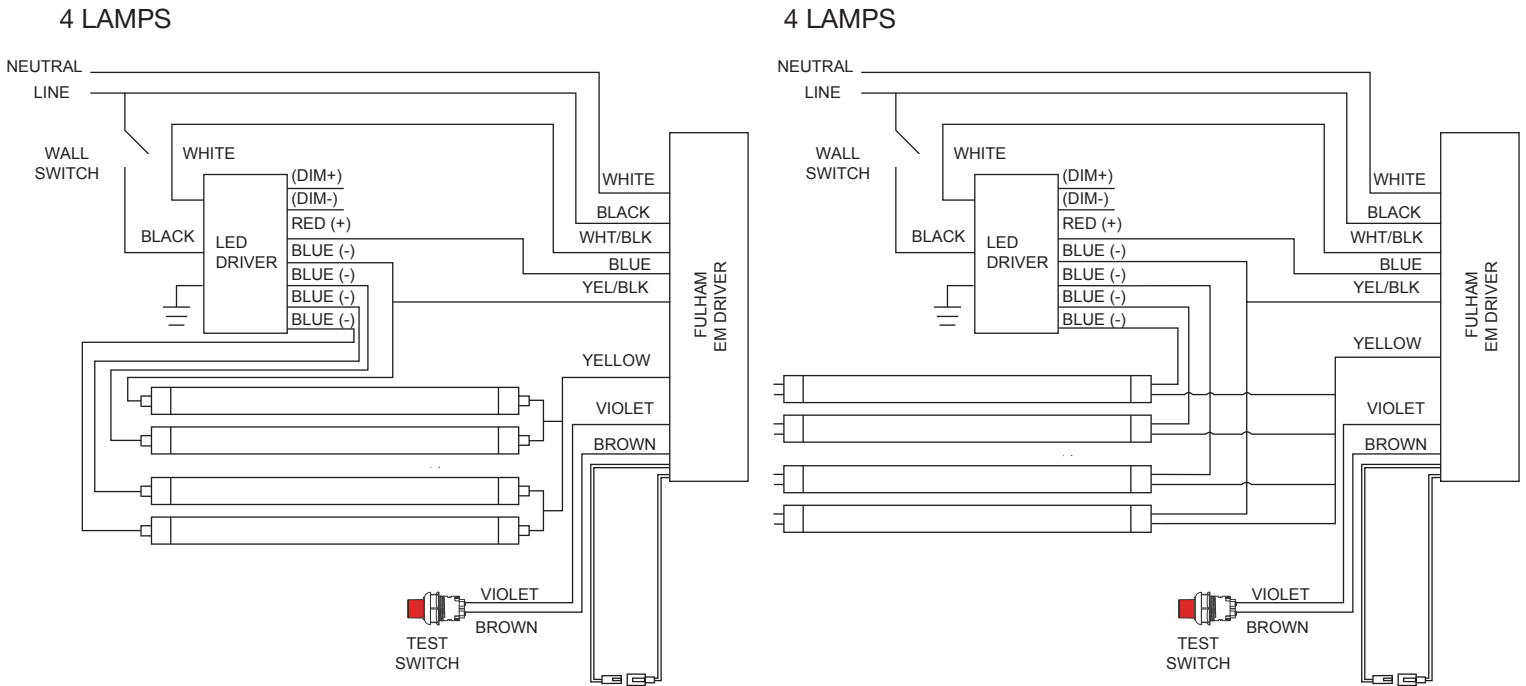
FULHAM EMERGENCY DRIVER INSTALLATION





EXTERNAL DRIVER T5

FULHAM EMERGENCY DRIVER INSTALLATION



COMPATIBILITY WITH FULHAM EMERGENCY DRIVER

Type	Model No	FULHAM EM DRIVER	
		Lumen output level at EM mode	
		FHSCP-UNV-10.7WL	FHSCP-UNV-17WL
T5	9.5T5HE/2F/8XX/EXT	113%	-
	11T5HE/3F/8XX/EXT	97%	-
	13.5T5HE/4F/8XX/EXT	79%	-
	22T5HO/4F/8XX/EXT	49%	77%

EXTENDED WARRANTIES**

Model	Description***
9.5T5/2F/EXT/10YEARWARRANTY	10 Year warranty for 9.5T5HE/2F/8xx/EXT/yy
11T5/3F/EXT/10YEARWARRANTY	10 Year warranty for 11T5HE/3F/8xx/EXT/yy
13.5T5/4F/EXT/10YEARWARRANTY	10 Year warranty for 13.5T5HE/4F/8xx/EXT/yy
15T8T5HEDRIVER/10YEARWARRANTY/2CH	10 Year warranty for 15T8T5HEDRIVER/2CH/yy
15T8T5HEDRIVER/10YEARWARRANTY/4CH	10 Year warranty for 15T8T5HEDRIVER/4CH/yy

** Warranty based on a maximum of 4,368 annual operating hours (per year for ten years) and exposure to a maximum fixture operating temperature of 80°F / 27°C.
 *** xx – Refers to the CCT yy – Refers to model generations within the same nominal performance. Typically blank, 'R', or 'RC'



EXTERNAL DRIVER T5

DLC KITS REFERENCES

T5HO 4'				
Model No. (DLC)	Lamp Model	Lamp Qty	External Driver Model	DLC Product ID
22T5HO/4F/830/EXT/A3/R	98321 22T5HO/4F/830/EXT	3	98262 24T5HODRIVER/4CH/R	PL6C5CCAYO3C
22T5HO/4F/830/EXT/A4/R		4		PLC02Y2ZAY2S
22T5HO/4F/835/EXT/A3/R	98322 22T5HO/4F/835/EXT	3		PLATC4QDA2S4
22T5HO/4F/835/EXT/A4/R		4		PLUOIFXM0YOP
22T5HO/4F/840/EXT/A3/R	98323 22T5HO/4F/840/EXT	3		PLJ3TT7VKL1U
22T5HO/4F/840/EXT/A4/R		4		PLNKVT1MU06L
22T5HO/4F/850/EXT/A3/R	98324 22T5HO/4F/850/EXT	3		PLXPLB8246MP
22T5HO/4F/850/EXT/A4/R		4		PL115NT0GDQQ
T5HE 4'				
Model No. (DLC)	Lamp Model	Lamp Qty	External Driver Model	DLC Product ID
13.5T5HE/4F/830/EXT/A2/R	98312 13.5T5HE/4F/830/EXT	2	98259 15T8T5HEDRIVER/2CH/R	PLQFJ83IDHDQ
13.5T5HE/4F/830/EXT/A3/R		3	98260 15T8T5HEDRIVER/4CH/R	PL7N81F0RZFL
13.5T5HE/4F/830/EXT/A4/R		4		PL0H6OO7SJRI
13.5T5HE/4F/835/EXT/A2/R	98313 13.5T5HE/4F/835/EXT	2	98259 15T8T5HEDRIVER/2CH/R	PLVVMTXBJMXL
13.5T5HE/4F/835/EXT/A3/R		3	98260 15T8T5HEDRIVER/4CH/R	PLBB5GGWZZWE
13.5T5HE/4F/835/EXT/A4/R		4		PL75DXO9CJ1J
13.5T5HE/4F/840/EXT/A2/R	98314 13.5T5HE/4F/840/EXT	2	98259 15T8T5HEDRIVER/2CH/R	PLO5CL5SYVU0
13.5T5HE/4F/840/EXT/A3/R		3	98260 15T8T5HEDRIVER/4CH/R	PLFUGKQ21ZB0
13.5T5HE/4F/840/EXT/A4/R		4		PLX6Y4NYQNWD

ORDERING INFORMATION

Model	Master Carton			Shipping Carton		
	Case Qty	Case Dimensions (LxWxH)	Case Weight	Case Qty	Case Dimensions (LxWxH)	Case Weight
9.5T5HE/2F/xxx/EXT	6PCS	23" x 2-1/2" x 1-3/4"	1.4lb	24PCS	25-3/16" x 5-13/16" x 4-13/16"	6.2lb
11T5HE/3F/xxx/EXT	6PCS	34-13/16" x 2-1/2" x 1-3/4"	2.1lb	24PCS	37" x 5-13/16" x 4-13/16"	9.3lb
13.5T5HE/4F/xxx/EXT	6PCS	46-5/8" x 2-1/2" x 1-3/4"	2.7lb	24PCS	48-13/16" x 5-13/16" x 4-13/16"	12.3lb
22T5HO/4F/xxx/EXT	6PCS	46-5/8" x 2-1/2" x 1-3/4"	2.7lb	24PCS	48-13/16" x 5-13/16" x 4-13/16"	12.3lb
15T8T5HEDRIVER/2CH/R	6PCS	10-1/4" x 5-11/16" x 3-1/8"	4.85lb	24PCS	12-3/16" x 10-5/8" x 6-7/8"	20.5lb
15T8T5HEDRIVER/4CH/R	6PCS	10-1/4" x 5-11/16" x 3-1/8"	4.85lb	24PCS	12-3/16" x 10-5/8" x 6-7/8"	20.5lb
24T5HODRIVER/2CH/R	6PCS	10-1/4" x 5-11/16" x 3-1/8"	6.17lb	24PCS	12-3/16" x 10-5/8" x 6-7/8"	22.49lb
24T5HODRIVER/4CH/R	6PCS	10-1/4" x 5-11/16" x 3-1/8"	6.17lb	24PCS	12-3/16" x 10-5/8" x 6-7/8"	22.49lb

Where xxx means 824-965 which indicates CRI and color temperature

Note: All rights reserved. All sizes and specifications are subject to change at any time without notice.