

# L-Trim SOL XLE Select

LED Downlight | Selectable Wattage & CCT



## Key Features

- Versatile LED downlight engineered for both new construction and retrofit projects.
- Selectable switch for wattage and CCT.
- Diffused lens helps to provide comfortable, uniform light distribution.
- Suitable for use in outdoor wet locations.

## Electrical

- 120-277VAC input; 0-10V dimming standard.
- Power factor: >0.70 and THD <20%.
- Operating temperature: -30°C to 40°C (-22°F to 104°F).

## Mounting

- Mounts directly into ceiling with spring action clips (IC rated).

## Construction

- Die-cast aluminum and polycarbonate housing offers a deep baffle configuration.
- Includes integrated singular trim ring in a white matte finish.
- Includes pre-installed flex conduit lead.
- Frosted plastic lens reduces glare.

## Optics

- Industry-leading LEDs with selectable CCT via switch in the field: 2700K, 3500K, and 5000K CCT (minimum 90 CRI).
- 100° Beam Angle
- Lumen Maintenance: ≥ 60,000 hours (L70) <sup>1</sup>

## Warranty

- Backed by US LED's Five-Year Warranty.

Project \_\_\_\_\_ Date \_\_\_\_\_

Catalog Number \_\_\_\_\_ Type \_\_\_\_\_

## Product Performance Summary

<b>Lumen Output</b>	Up to 1,500 lumens
<b>Efficacy</b>	Up to 94 LPW
<b>CRI</b>	≥ 90 CRI
<b>Available CCT</b>	Selectable CCT: 2700K, 3500K, & 5000K
<b>Warranty</b>	Five-Year Warranty

## Product Overview

The L-Trim SOL XLE Select is an all-in-one LED downlight solution that delivers both value and performance for retrofits and new construction. It comes standard with selectable wattage and CCT allowing for in-the-field customization. The L-Trim SOL XLE Select is an ideal LED lighting solution for restaurants, retail, healthcare, educational facilities, and other commercial applications.

## Product Applications

- Restaurants
- Office Spaces
- Conference Rooms
- Hallways/Corridors
- Hospitality
- Healthcare
- Retail Areas
- General Commercial

## Product Certifications

- ETL Listed
- Complies with UL1598 and CSA 22.2
- Suitable for wet locations
- Energy Star Certified
- IC Rated for direct contact with insulation
- RoHS compliant



## Ordering Information

Example: LTR4-6R-UNV-1-SCCT-WH

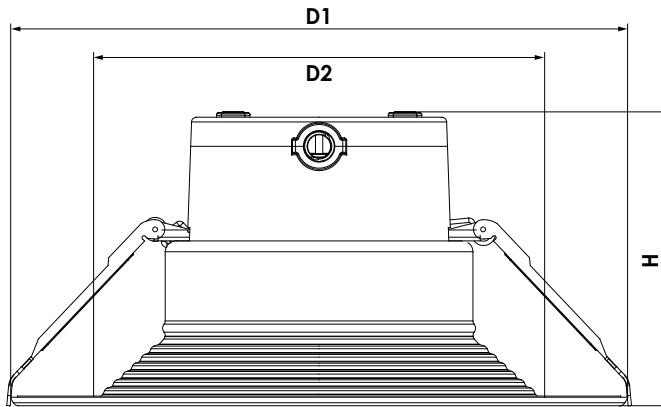
Series	Size	Input Voltage	Variant	Selectable CCT	Trim Color
LTR4					
<b>4R</b>	4" Round	<b>UNV</b> 120-277V	<b>1</b> Standard	<b>SCCT</b> Selectable CCT: 2700K, 3500K, & 5000K	<b>WH</b> White
<b>6R</b>	6" Round				

1. US LED product 'lifetimes' refer only to the LED light engine, not the power source, and are based on the Illuminating Engineering Society's TM21 Projected Lumen Maintenance methodology at a 25° C / 77° F ambient temperature. The lifetimes are solely meant to be a guide for expected LED degradation and not a warranty or predictive of their actual life, which can be affected by ambient temperatures and other factors.

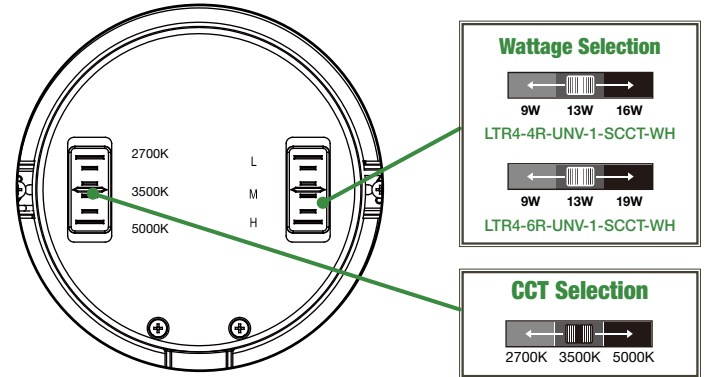
# L-Trim SOL XLE Select

LED Downlight | Selectable Wattage & CCT

## Dimensions



Diameter Size	D1	D2	H	Cut-Out	
				Min.	Max.
4" Round	5 15/16"	4 7/8"	4 1/16"	∅ 4 15/16"	∅ 5 7/8"
6" Round	8 7/16"	5 7/8"	4 7/16"	∅ 6 1/8"	∅ 7 3/16"

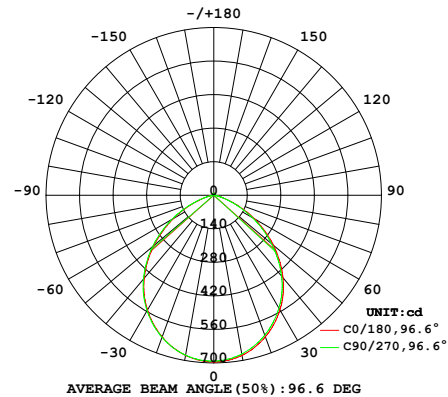


## Performance Data

### Luminaire Photometric Data

Model Number	<b>LTR4-6R-UNV1-SCCT-WH</b>
Issue Date	<b>04/02/2020</b>
IESNA	<b>LM-63-2002</b>
Lamp	<b>LED</b>
Total Input Watts	<b>18.7</b>
Total Lumens	<b>1,568.5</b>
Efficacy	<b>83.8 LPW</b>

### Luminous Intensity Distribution Diagram



Model	Diameter Size	System Level Power	Delivered Lumens	Efficacy	Adjustable CCT	L70 Calculate Life
<b>LTR4-4R-UNV-1-SCCT-WH</b>	4" Round	9W	650	72 LPW	2700K/3500K/5000K	≥ 60,000 Hours
		13W	1,000	77 LPW	2700K/3500K/5000K	≥ 60,000 Hours
		16W	1,500	94 LPW	2700K/3500K/5000K	≥ 60,000 Hours
<b>LTR4-6R-UNV-1-SCCT-WH</b>	6" Round	9W	750	83 LPW	2700K/3500K/5000K	≥ 60,000 Hours
		13W	1,050	81 LPW	2700K/3500K/5000K	≥ 60,000 Hours
		19W	1,500	79 LPW	2700K/3500K/5000K	≥ 60,000 Hours