

LLHB SERIES Industrial Lighting

LLHB-240W-MP-40K-D

LLHB-240W-MP-50K-D

LED LINEAR HIGH BAY, FIXTURE HANGERS INCL., SUSPENSION CABLE NOT INCL.

MP Multi Power/Wattage (Selectable)

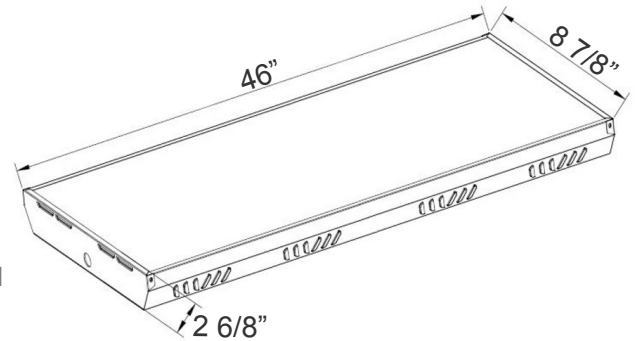


Customer Name: _____

Project Name: _____

Note: _____

Type: _____



46"(L) x 8-7/8"(W) x 2-6/8"(H)

Ideal for replacement of conventional lighting systems such as HID and fluorescent. Applications include manufacturing warehousing and other large indoor spaces with mounting heights from 10ft. to 40ft. the fixture can be surface mounted also.

Features

- High Quality LED Chips to Provide High Efficiency, Heat Dissipation
- Stability, and Lumen Maintenance
- Polycarbonate Lens, High Flame Retardant Point.
- Frosted Lens
- 50,000 Hours Rated Life
- 5-Year Warranty

Technical Specifications

Electrical:

- Voltage: 120~277VAC/50~60 Hz
- Wattage: 100W/150W/200W
- Power Factor: >0.95
- Efficacy: 125LM/W

Mechanical:

- Surge Protector
- Steel Housing
- Steel Thickness: 24 Gauge
- V-Hooks
- Unprecedented Quality.
- Aluminum LED Board
- Operating Temperature: -4°F ~ 131°F
- Suitable For Damp Locations

Lighting:

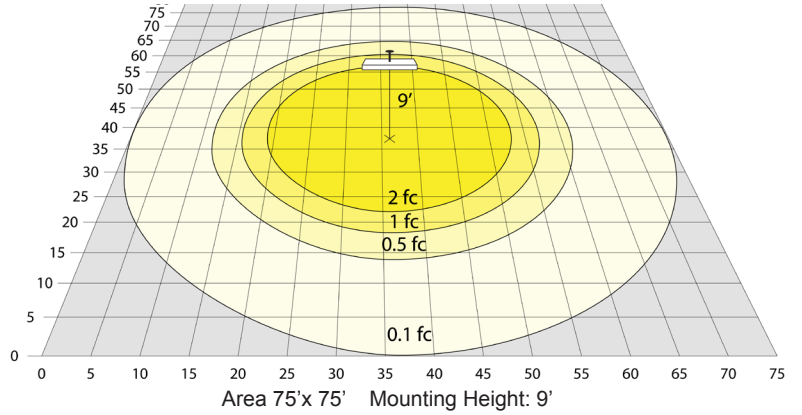
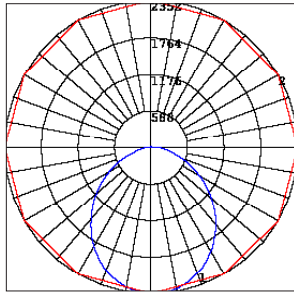
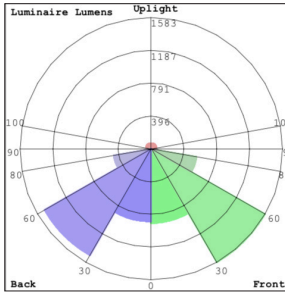
- Dimming: 0~10V Dimmable
- Lens: Polycarbonate Lens
- Total lumens: 25000LM
- Color Temperatures: 4000K/5000K
- Color Rendering Index: >80
- Wide Beam Angle

Applications:

- Warehouse
- Manufacturing Plants Distribution Centers
- Industrial Commercial
- Grocery Stores Gymnasiums



Photometrics: LLHB-240W-MP-D



BUG Rating: B3-U3-G2

Other Views:



Side View



Back View

Performance Table: LLHB-240W-MP-D

MODEL NO.	Wattage	Voltage	Lumens	Color Temp.	BUG Rating	LPW
LLHB-240W-MP-40K-D	100W	120~277V	12500LM	4000K	B3-U3-G2	125
LLHB-240W-MP-50K-D	150W		18750LM	5000K		
	200W		25000LM			

Sample Ordering

Model Wattage Multi Power Color Temp.

LLHB - 240W - MP - - D

40K = 4000K
50K = 5000K

Accessory Options

SCL-GSY10 = Heavy-duty adjustable 10ft. 1/16" suspension kit with Y-connector & loop Gripper & Hooks

SCL-GSY20 = Heavy-duty adjustable 20ft. 1/16" suspension kit with Y-connector & loop Gripper & Hooks

Factory-Installed Options

Blank = No Option

OPT-EM-LLHB = EMERGENCY BACK BATTERY MOUNTED ON TOP

OPT-LLHB-SMK = SURFACE MOUNTING OPTION

OPT-FWH-63 = 6FT 3-WIRE WHIP

OPT-FWH-65 = 6FT 5-WIRE WHIP

OPT-FWH-66 = 6FT 6-WIRE WHIP

OPT-SP-10KV = 10KV SURGE PROTECTOR

OPT-CLR-95(BK/GR/SR/WH) = PAINT

OPT-2P-58 = PIR SENSOR (Not remote capable)

OPT-SEN-3MR-4-WH = PROGRAMMABLE MICROWAVE

OPT-HBC-125TL-WH = 8FT, 15A, 125V, WHITE

OPT-HBC-277TL-WH = 8FT, 15A, 277V, WHITE

OPT-HBC-125SB-WH = 10FT, 15A, 125V, 18/3STR, WHT

OPT-LLHB-ULM-4FT-40W = 4FT UPLIGHT MODULE, 40W ALL SIZES

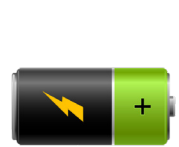
OPT-LLHB-ULM-4FT-60W = 4FT UPLIGHT MODULE, 60W ALL SIZE

OPTIONAL ACCESSORIES



SCL-GSY10
SCL-GSY20

EMERGENCY BATTERY BACKUP AND SENSOR OPTIONS



OPT-EM-HB4EXT



SENSOR
OPTION
OPT-SEN-LLHB4

