

# RSW Series

RSW™ LED Street Luminaire – Small, Medium, Large & Extra Large

Rev. Date: V8 09/02/2022

## Product Description

The RSW Series, utilizing WaveMax® Technology, will transform the way utilities and municipalities light their residential streets, interchanges, and expressways. With the first viable LED streetlight at warm CCT, the RSW Series delivers up to 144 LPW, enhanced visual comfort with reduced glare and high color contrast leading to improved overall illumination using less energy. The RSW Series provides warm, inviting dark sky friendly lighting that makes good economic sense.

**Applications:** Residential roads, collector roads, multi-lane freeways, express ways, major roads, parking lots, and general area spaces

## Performance Summary

WaveMax® Technology

Assembled in the USA by Cree Lighting from US and imported parts

**Initial Delivered Lumens:** 3,000 - 32,000

**Efficacy:** Up to 144 LPW

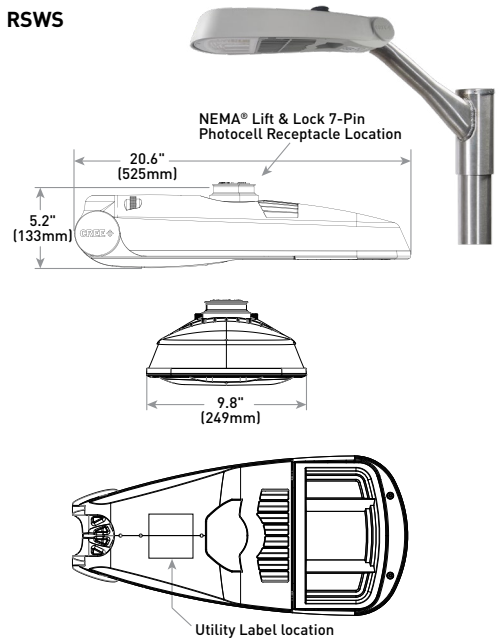
**CRI:** Minimum 70 CRI (3000K, 4000K & 5000K); 80 CRI (2700K, 3000K & 4000K; 3L/5L/9L lumen packages only)

**CCT:** 2700K, 3000K, 4000K, 5000K

**Limited Warranty\*:** 10 years on luminaire; up to 5 years for Synapse® accessories; 1 year on luminaire accessories

\*See <http://creelighting.com/warranty> for warranty terms. For Synapse accessories, consult Synapse spec sheets for details on warranty terms.

## RSWS



| Luminaire | Weight*          |
|-----------|------------------|
| RSWS      | 9.4 lbs. (4.3kg) |

\* RSW-BLSS, RSW-CLSS, or RSW-FLSS Accessories: add 0.4 lbs. (0.2kg)

RSWM/RSWL/RSWX Luminaire - See page 14 for photos & dimensions

## Ordering Information

Example: RSW-B-HT-2ME-3L-27K8-UL-GY-N

| Luminaire |  |        |                           |   |  |  |   |   |  |   |
|-----------|--|--------|---------------------------|---|--|--|---|---|--|---|
| RSW       | B  | HT     |                           |   |  |  |   | N   |  |   |
| Family    | Size   | Series | Mounting*                 | Optic   | Lumen Package***   | CCT/CRI  | Voltage   | Color Options                             | Utility Label/Receptacle   | Options   |
| RSW       | S<br>Small<br>M<br>Medium<br>L<br>Large<br>X<br>Extra<br>Large | B      | HT<br>Horizontal<br>Tenon | 2LG**<br>Type II<br>Long<br>2ME**<br>Type II<br>Medium<br>3ME**<br>Type III<br>Medium | <u>Small</u><br>3L<br>3,000<br>Lumens<br>5L<br>5,000<br>Lumens<br>7L<br>7,000<br>Lumens<br><u>Medium</u><br>9L<br>9,000<br>Lumens<br><u>Large</u><br>14L<br>14,000<br>Lumens<br><u>Extra Large</u><br>24L<br>24,000<br>Lumens<br>32L<br>32,000<br>Lumens | 27K8<br>2700K, 80 CRI<br>- Available only with 3L, 5L, or 9L lumen packages<br>30K7<br>3000K, 70 CRI<br>30K8<br>3000K, 80 CRI<br>- Available only with 3L, 5L, or 9L lumen packages<br>40K7<br>4000K, 70CRI<br>40K8<br>4000K, 80 CRI<br>- Available only with 3L, 5L, or 9L lumen packages<br>50K7<br>5000K, 70CRI | UL<br>Universal<br>120-277V<br>UH<br>Universal<br>347-480V<br>- Available only with medium, large or extra large lumen packages | BK<br>Black<br>BZ<br>Bronze<br>GY<br>Grey | N Utility Label and NEMA® Lift & Lock 7-Pin Photocell Receptacle<br>- External utility label per ANSI C136.15-2020<br>- 7-pin receptacle per ANSI C136.41<br>- Factory connected 0-10V dim leads<br>- Requires photocell or shorting cap by others | 4BLT Four Bolt Mounting<br>- Mounts to 1.25" (32mm) IP, 1.66" (42mm) O.D. or 2" (51mm) IP, 2.375" (60mm) O.D. horizontal tenon<br>- Available only with large or extra large lumen packages<br>20KV 20kV/10kA Surge Suppression<br>- Replaces standard 10kV/5kA surge protection<br>PP Pallet Packaging<br>- Available only with small and medium luminaires<br>- Multiple luminaires (up to 26 maximum per pallet for small; up to 22 maximum per pallet for medium)<br>Q9/Q8/Q7/Q6/Q5/Q4/Q3/Q2/Q1 Field Adjustable Lumen Output<br>- Must select Q4, Q3, Q2, or Q1 for small lumen package<br>- Must select Q8, Q7, Q6, Q5, Q4, Q3, Q2, or Q1 for medium lumen package<br>- Must select Q9, Q8, Q7, Q6, Q5, Q4, Q3, Q2, or Q1 for large or extra large lumen packages<br>- Offers full range lumen adjustability<br>- Includes wattage label for setting selected<br>- Refer to pages 7-13 for power and lumen values<br>- Luminaire may also be dimmed through 7-Pin receptacle with use of dimming control by others<br>SS Stainless Steel Bolts<br>X8/X7/X6/X5/X4/X3/X2/X1 Locked Lumen Output<br>- Must select X3, X2, or X1 for small lumen packages<br>- Must select X7, X6, X5, X4, X3, X2, or X1 for medium lumen package<br>- Must select X8, X7, X6, X5, X4, X3, X2, or X1 for large or extra large lumen packages<br>- Lumen output is permanently locked to the setting selected<br>- Includes wattage label for setting selected<br>- Refer to pages 7-13 for power and lumen values<br>- Dimming is only available through 7-Pin receptacle with use of dimming control by others |

\* Reference EPA and pole configuration suitability data on page 6

\*\* Available with Backlight Shield when ordered with field-installed accessory (see table on page 2)

\*\*\* Lumen Package codes identify approximate light output only. Actual lumen output levels vary depending on CCT and optic selection. Refer to Initial Delivered Lumen tables for specific lumen values



US: [creelighting.com](http://creelighting.com) (800) 236-6800

Canada: [creelighting-canada.com](http://creelighting-canada.com) (800) 473-1234

**CREE** ⇄ **LIGHTING**

**Product Specifications**

**WAVEMAX® TECHNOLOGY**

Featuring up to 90% optical efficiency and precise control, WaveMax® Technology provides unmatched comfort and decreased LED source luminance by smoothly spreading brightness over a broader area. When integrated with luminous surfaces made of a polymer medium engineered with DiamondFacet™ optical elements, extremely high efficacy luminaires are the result – ultimately creating more visually comfortable and appealing environments while exceeding illumination performance.

**CONSTRUCTION & MATERIALS**

- Housing constructed of high strength, lightweight bulk molding compound with long weathering and durability
- UV stabilized polymeric door with handle pocket for tool-less entry
- Straight in wiring to terminal block for power input (#6-#14 AWG)
- Optic box and driver enclosure inside optic box meet IP66 requirements
- Mounts on 1.25" [32mm] IP, 1.66" [42mm] O.D. or 2" [51mm] IP, 2.375" [60mm] O.D. horizontal tenon (minimum 8" [203mm] in length) and is adjustable +/- 5" in 2.5" increments to allow for fixture leveling (two axis T-level included)
- Luminaire secures with two grade 5 steel mounting bolts w/clear zinc clad finish standard; optional 316 stainless steel mounting bolts available with SS option. Optional four bolt mounting is also available with large and extra large luminaires
- Comes standard with Utility Label per ANSI C136.15-2020 and 7-pin NEMA® Lift & Lock Photocell Receptacle per ANSI C136.41

| Luminaire | Weight             | Adder for Shielding |                  |                  |
|-----------|--------------------|---------------------|------------------|------------------|
|           |                    | BLS                 | CLS              | FLS              |
| RSWS      | 9.4 lbs. [4.3kg]   | 0.4 lbs. [0.2kg]    | 0.4 lbs. [0.2kg] | 0.4 lbs. [0.2kg] |
| RSWM      | 15.6 lbs. [7.1kg]  | 0.4 lbs. [0.2kg]    | 0.6 lbs. [0.3kg] | 0.6 lbs. [0.3kg] |
| RSWL      | 20.2 lbs. [9.2kg]  | 0.6 lbs. [0.3kg]    | 1.0 lb. [0.5kg]  | N/A              |
| RSWX      | 28.8 lbs. [13.1kg] | 0.8 lbs. [0.4kg]    | N/A              | N/A              |

\* RSW-BLS, RSW-CLS, or RSW-FLS Accessories: add 0.4 lbs. [0.2kg]; RSW-BLSM Accessory: add 0.4 lbs. [0.2kg]; RSW-CLSM or RSW-FLSM Accessories: add 0.6 lbs. [0.3kg]; RSW-BLSL Accessory: add 0.6 lbs. [0.3kg]; RSW-CLSL Accessory: add 1.0 lb. [0.5kg]

**ELECTRICAL SYSTEM**

- **Input Voltage:** 120-277V or 347-480V (available only with medium, large or extra large lumen packages), 50/60Hz
- **Power Factor:** > 0.9 at full load
- **Total Harmonic Distortion:** < 20% at full load
- Integral 10kV/5kA surge suppression protection standard; 20kV/10kA surge suppression protection optional
- When code dictates fusing, a slow blow fuse or type C/D breaker should be used to address inrush current
- **10V Source Current:** 0.15mA
- **Operating Temperature Range:** -40°C - +50°C (-40°F - + 122°F) for RSWS, RSWM, RSWL-14L with Q/X1-Q/X5, and RSWX-24L with Q/X1-Q/X3; -40°C - +40°C (-40°F - + 104°F) for other RSWL and RSWX settings

**REGULATORY & VOLUNTARY QUALIFICATIONS**

- cULus Listed
- Suitable for wet locations
- Certified to ANSI C136.31-2001, 3G bridge and overpass vibration standards
- Meets CALTrans 611 Vibration testing
- ANSI C136.2 10kV/5kA (standard) and 20kV/10kA (optional) surge suppression protection tested in accordance with IEEE/ANSI C62.41.2
- Meets FCC Part 15, Subpart B, Class A limits for conducted and radiated emissions
- Assembled in the USA by Cree Lighting from US and imported parts
- Meets Buy American requirements within ARRA
- RoHS compliant. Consult factory for additional details
- Dark Sky Friendly, IDA Approved when ordered with 27K or 30K CCTs. Please refer to <https://www.darksky.org/our-work/lighting/lighting-for-industry/fsa/fsa-products/> for most current information
- DLC and DLC Premium qualified versions available. Please refer to <https://qpl.designlights.org/solid-state-lighting> for most current information
- **CA RESIDENTS WARNING:** Cancer and Reproductive Harm – [www.p65warnings.ca.gov](http://www.p65warnings.ca.gov)

**Accessories**

| Field-Installed   |  |
|---|--|
| <b>Backlight Control Shields</b>                                  | <b>Cul-De-Sac Shields</b>                                    |
| <b>RSW-BLSS</b><br>(for use with small lumen packages only)       | <b>RSW-CLSS</b><br>(for use with small lumen packages only)  |
| <b>RSW-BLSM</b><br>(for use with medium lumen packages only)      | <b>RSW-CLSM</b><br>(for use with medium lumen packages only) |
| <b>RSW-BLSL</b><br>(for use with large lumen packages only)       | <b>RSW-CLSL</b><br>(for use with large lumen packages only)  |
| <b>RSW-BLSX</b><br>(for use with extra large lumen packages only) | - Provides backlight and sidelight control                   |
| - Provides 1 mounting height cutoff                               | - 0.5" [13mm] 301 stainless steel construction               |
| - 0.5" [13mm] 301 stainless steel construction                    | - Lumen multiplier from standard optic: 0.77 (S/M); 0.75 (L) |
| - Refer to initial delivered lumen tables for lumen output        | <b>Front Light Shields</b>                                   |
| <b>Bird Guards</b>  | <b>RSW-FLSS</b><br>(for use with small lumen packages only)  |
| <b>RSW-BRDGRDS</b><br>(for use with small lumen packages only)    | <b>RSW-FLSM</b><br>(for use with medium lumen packages only) |
| <b>RSW-BRDGRDM</b><br>(for use with medium lumen packages only)   | - Provides front light control                               |
| - 5052-H32 aluminum construction                                  | - 0.5" [13mm] 301 stainless steel construction               |
| <b>Shorting Cap</b>   | - Lumen multiplier from standard optic: 0.87                 |
| <b>XA-XSLSHRT</b>   |  |

**Product Specifications**

**SYNAPSE® SIMPLYSNAP INTELLIGENT CONTROL FOR NON-STREET LIGHTING APPLICATIONS ONLY**

The RSW Series is compatible with the Synapse® SimplySNAP platform. A highly intuitive connected lighting solution for Site and Area applications only. The system features a reliable and robust selfhealing mesh network with a browser-based interface that runs on smartphones, tablets, and PCs.

Using a Twist-Lock Lighting Controller and Site Controller, SimplySnap provides: energy productivity, code compliance and a better light experience for non-street lighting installations. SimplySNAP is optimized to create and manage networks for campus wide Area and Site applications which differs from networking requirements for street lighting applications. Controller (TL7-B2) and Site Controller (SS450-002) take the RSW Series to a new performance plateau, providing extreme energy productivity, code compliance and a better light experience.

| Synapse Wireless Control Accessories  |   |
|---|---|
| <b>Twist-Lock Lighting Controller</b><br>TL7-B2<br>- Suitable for 120-277V (UL) voltage only<br>- Requires NEMA/ANSI C136.41 7-Pin Dimming Receptacle<br>- Provides On/Off switching, dimming, power metering, digital sensor input, and status monitoring of luminaire<br>- Refer to <a href="#">TL7-B2</a> spec sheet for details     | <b>Synapse Wireless Sensor</b><br>WSN-DPM<br>- Motion and light sensor<br>- Control multiple zones<br>- Refer to <a href="#">WSN-DPM</a> spec sheet for details   |
| <b>Twist-Lock Lighting Controller</b><br>TL7-HVG<br>- Suitable for 120-480V (UL and UH) voltage<br>- Requires NEMA/ANSI C136.41 7-Pin Dimming Receptacle<br>- Provides On/Off switching, dimming, power metering, digital sensor input, and status monitoring of luminaire<br>- Refer to <a href="#">TL7-HVG</a> spec sheet for details | <b>SimplySNAP On-Site Controller</b><br>SS450-002<br>- Verizon® LTE-enabled<br>- Designed for indoor applications<br>- Refer to <a href="#">SS450-002</a> spec sheet for details  |
| <b>SimplySNAP Central Base Station</b><br>CBS5W-450-002<br>- Includes On-Site Controller (SS450-002) and 5-button switch<br>- Indoor and Outdoor rated<br>- Refer to <a href="#">CBS5W-450-002</a> spec sheet for details   | <b>Building Management System (BMS) Gateway</b><br>BMS-GW-002<br>- Required for BACnet integration<br>- Refer to <a href="#">BMS-GW-002</a> spec sheet for details  |
|   | <b>Outdoor Antennas (Optional, for increased range, 8dB gain)</b><br>KIT-ANT4205M<br>- Kit includes antenna, 20' cable and bracket<br>KIT-ANT360<br>- Kit includes antenna, 30' cable and bracket<br>KIT-ANT400<br>- Kit includes antenna, 50' cable and bracket<br>- Refer to <a href="#">Outdoor antenna spec sheet</a> for details |

| Electrical Data* |         |                         |                        |                   |      |      |      |      |      |
|------------------|---------|-------------------------|------------------------|-------------------|------|------|------|------|------|
| Lumen Package    | CCT/CRI | System Watts 120-480V** | Utility Wattage Label¹ | Total Current (A) |      |      |      |      |      |
|                  |         |                         |                        | 120V              | 208V | 240V | 277V | 347V | 480V |
| 3L               | 27K8    | 29                      | 30                     | 0.25              | 0.14 | 0.13 | 0.11 | N/A  | N/A  |
|                  | 30K7    | 27                      | 30                     | 0.23              | 0.13 | 0.12 | 0.10 | N/A  | N/A  |
|                  | 30K8    | 29                      | 30                     | 0.25              | 0.14 | 0.13 | 0.11 | N/A  | N/A  |
|                  | 40K7    | 25                      | 30                     | 0.21              | 0.12 | 0.11 | 0.09 | N/A  | N/A  |
|                  | 40K8    | 27                      | 30                     | 0.23              | 0.13 | 0.12 | 0.10 | N/A  | N/A  |
| 5L               | 50K7    | 25                      | 30                     | 0.21              | 0.12 | 0.11 | 0.09 | N/A  | N/A  |
|                  | 27K8    | 45                      | 50                     | 0.38              | 0.22 | 0.19 | 0.16 | N/A  | N/A  |
|                  | 30K7    | 42                      | 40                     | 0.36              | 0.20 | 0.18 | 0.15 | N/A  | N/A  |
|                  | 30K8    | 45                      | 50                     | 0.38              | 0.22 | 0.19 | 0.16 | N/A  | N/A  |
|                  | 40K7    | 40                      | 40                     | 0.34              | 0.20 | 0.17 | 0.15 | N/A  | N/A  |
| 7L               | 40K8    | 45                      | 50                     | 0.38              | 0.22 | 0.19 | 0.16 | N/A  | N/A  |
|                  | 50K7    | 40                      | 40                     | 0.34              | 0.20 | 0.17 | 0.15 | N/A  | N/A  |
|                  | 30K7    | 51                      | 50                     | 0.43              | 0.25 | 0.21 | 0.19 | N/A  | N/A  |
| 9L               | 40K7    | 50                      | 50                     | 0.42              | 0.24 | 0.21 | 0.18 | N/A  | N/A  |
|                  | 27K8    | 76                      | 80                     | 0.64              | 0.37 | 0.32 | 0.28 | 0.22 | 0.16 |
|                  | 30K7    | 73                      | 70                     | 0.62              | 0.36 | 0.31 | 0.27 | 0.21 | 0.16 |
|                  | 30K8    | 76                      | 80                     | 0.64              | 0.37 | 0.32 | 0.28 | 0.22 | 0.16 |
|                  | 40K7    | 64                      | 60                     | 0.54              | 0.31 | 0.27 | 0.24 | 0.19 | 0.14 |
| 14L              | 40K8    | 76                      | 80                     | 0.64              | 0.37 | 0.32 | 0.28 | 0.22 | 0.16 |
|                  | 50K7    | 64                      | 60                     | 0.54              | 0.31 | 0.27 | 0.24 | 0.19 | 0.14 |
|                  | 30K7    | 108                     | 110                    | 0.91              | 0.52 | 0.46 | 0.40 | 0.31 | 0.23 |
|                  | 40K7    | 111                     | 110                    | 0.94              | 0.54 | 0.47 | 0.41 | 0.32 | 0.23 |
|                  | 50K7    | 111                     | 110                    | 0.94              | 0.54 | 0.47 | 0.41 | 0.32 | 0.23 |
| 24L              | 30K7    | 194                     | 190                    | 1.66              | 0.94 | 0.81 | 0.71 | 0.57 | 0.41 |
|                  | 40K7    | 167                     | 170                    | 1.42              | 0.81 | 0.70 | 0.61 | 0.49 | 0.35 |
|                  | 50K7    | 167                     | 170                    | 1.42              | 0.81 | 0.70 | 0.61 | 0.49 | 0.35 |
| 32L              | 30K7    | 248                     | 250                    | 2.10              | 1.21 | 1.05 | 0.92 | 0.72 | 0.52 |
|                  | 40K7    | 248                     | 250                    | 2.10              | 1.21 | 1.05 | 0.92 | 0.72 | 0.52 |
|                  | 50K7    | 248                     | 250                    | 2.10              | 1.21 | 1.05 | 0.92 | 0.72 | 0.52 |

\* Electrical data at 25°C [77°F]. Actual wattage may differ by +/- 10% when operating between 120-277V or 347-480V +/- 10%. \*\* 3L, 5L and 7L are available with UL voltage only. ¹ Refer to Field Adjustable Output tables beginning on page 7 for utility label lumen values.

| RSW-B Series Ambient Adjusted Lumen Maintenance¹ |             |                      |                      |                      |                       |
|--|-------------|----------------------|----------------------|----------------------|-----------------------|
| Ambient  | Initial LMF | 25K hr Reported² LMF | 50K hr Reported² LMF | 75K hr Reported² LMF | 100K hr Reported² LMF |
| 5°C [41°F]                                       | 1.03        | 1.02                 | 1.01                 | 1.00                 | 0.99                  |
| 10°C [50°F]                                      | 1.02        | 1.01                 | 1.00                 | 0.99                 | 0.98                  |
| 15°C [59°F]                                      | 1.02        | 1.01                 | 1.00                 | 0.99                 | 0.98                  |
| 20°C [68°F]                                      | 1.01        | 1.00                 | 0.99                 | 0.98                 | 0.97                  |
| 25°C [77°F]                                      | 1.00        | 0.99                 | 0.98                 | 0.97                 | 0.96                  |

¹ Lumen maintenance values at 25°C [77°F] are calculated per IES TM-21 based on IES LM-80 report data for the LED package and in-situ luminaire testing. Luminaire ambient temperature factors [LATF] have been applied to all lumen maintenance factors. Please refer to the [Temperature Zone Reference Document](#) for outdoor average nighttime ambient conditions.

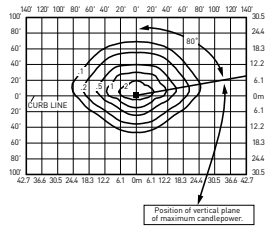
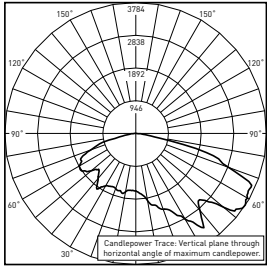
² In accordance with IES TM-21, Reported values represent interpolated values based on time durations that are up to 6x the tested duration in the IES LM-80 report for the LED.

**Photometry**

All published luminaire photometric testing performed to IES LM-79 standards. To obtain an IES file specific to your project consult:

<https://www.creelighting.com/products/outdoor/street-and-roadway/rsw-series>

**2LG**



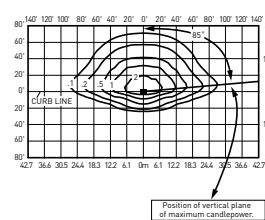
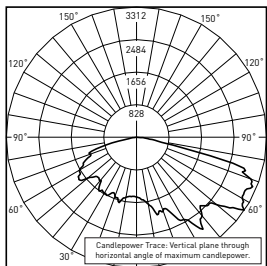
**RESTL Test Report #:** PL15985-001A  
**RSWM-B-\*\*-2LG-9L-40K7-UL-\*\*-N**  
**Initial Delivered Lumens:** 8,575

**RSWM-B-\*\*-2LG-9L-40K7-UL-\*\*-N**  
**Mounting Height:** 25' (7.6m) A.F.G.  
**Initial Delivered Lumens:** 9,000  
**Initial FC at grade**

| Type II Long Distribution |                           |                            |                           |                            |                           |                            |                           |                            |                           |                            |                           |                            |  |
|---------------------------|---------------------------|----------------------------|---------------------------|----------------------------|---------------------------|----------------------------|---------------------------|----------------------------|---------------------------|----------------------------|---------------------------|----------------------------|--|
| Lumen Package             | 27K (80 CRI)              |                            | 3000K (70 CRI)            |                            | 3000K (80 CRI)            |                            | 4000K (70 CRI)            |                            | 4000K (80 CRI)            |                            | 5000K (70 CRI)            |                            |  |
|                           | Initial Delivered Lumens* | BUG Ratings** per TM-15-11 | Initial Delivered Lumens* | BUG Ratings** per TM-15-11 | Initial Delivered Lumens* | BUG Ratings** per TM-15-11 | Initial Delivered Lumens* | BUG Ratings** per TM-15-11 | Initial Delivered Lumens* | BUG Ratings** per TM-15-11 | Initial Delivered Lumens* | BUG Ratings** per TM-15-11 |  |
| 3L                        | 3,300                     | B1 U0 G1                   | 3,300                     | B1 U0 G1                   | 3,300                     | B1 U0 G1                   | 3,300                     | B1 U0 G1                   | 3,300                     | B1 U0 G1                   | 3,300                     | B1 U0 G1                   |  |
| 5L                        | 5,000                     | B1 U0 G1                   | 5,000                     | B1 U0 G1                   | 5,000                     | B1 U0 G1                   | 5,000                     | B1 U0 G1                   | 5,000                     | B1 U0 G1                   | 5,000                     | B1 U0 G1                   |  |
| 7L                        | N/A                       | N/A                        | 6,700                     | B2 U0 G2                   | N/A                       | N/A                        | 7,000                     | B2 U0 G2                   | N/A                       | N/A                        | 7,000                     | B2 U0 G2                   |  |
| 9L                        | 8,200                     | B2 U0 G2                   | 9,000                     | B2 U0 G2                   | 8,700                     | B2 U0 G2                   | 9,000                     | B2 U0 G2                   | 9,000                     | B2 U0 G2                   | 9,000                     | B2 U0 G2                   |  |
| 14L                       | N/A                       | N/A                        | 14,500                    | B3 U0 G3                   | N/A                       | N/A                        | 14,500                    | B3 U0 G3                   | N/A                       | N/A                        | 14,500                    | B3 U0 G3                   |  |
| 24L                       | N/A                       | N/A                        | 24,000                    | B3 U0 G3                   | N/A                       | N/A                        | 24,000                    | B3 U0 G3                   | N/A                       | N/A                        | 24,000                    | B3 U0 G3                   |  |
| 32L                       | N/A                       | N/A                        | 29,000                    | B3 U0 G3                   | N/A                       | N/A                        | 32,000                    | B4 U0 G4                   | N/A                       | N/A                        | 32,000                    | B4 U0 G4                   |  |

\* Initial delivered lumens at 25°C [77°F]. Actual production yield may vary between -10 and +10% of initial delivered lumens

\*\* For more information on the IES BUG (Backlight-Uplight-Glare) Rating visit: <https://www.ies.org/wp-content/uploads/2017/03/TM-15-11BUGRatingsAddendum.pdf>. Valid with no tilt



**RESTL Test Report #:** PL16167-001A  
**RSWS-B-\*\*-2LG-7L-40K7-UL-\*\*-N w/RSW-BLSM**  
**Initial Delivered Lumens:** 6,379

**RSWM-B-\*\*-2LG-9L-40K7-UL-\*\*-N w/RSW-BLSM**  
**Mounting Height:** 25' (7.6m) A.F.G.  
**Initial Delivered Lumens:** 8,250  
**Initial FC at grade**

| Type II Long Distribution w/BLS |                           |                            |                           |                            |                           |                            |                           |                            |                           |                            |                           |                            |  |
|---------------------------------|---------------------------|----------------------------|---------------------------|----------------------------|---------------------------|----------------------------|---------------------------|----------------------------|---------------------------|----------------------------|---------------------------|----------------------------|--|
| Lumen Package                   | 27K (80 CRI)              |                            | 3000K (70 CRI)            |                            | 3000K (80 CRI)            |                            | 4000K (70 CRI)            |                            | 4000K (80 CRI)            |                            | 5000K (70 CRI)            |                            |  |
|                                 | Initial Delivered Lumens* | BUG Ratings** per TM-15-11 | Initial Delivered Lumens* | BUG Ratings** per TM-15-11 | Initial Delivered Lumens* | BUG Ratings** per TM-15-11 | Initial Delivered Lumens* | BUG Ratings** per TM-15-11 | Initial Delivered Lumens* | BUG Ratings** per TM-15-11 | Initial Delivered Lumens* | BUG Ratings** per TM-15-11 |  |
| 3L                              | 3,040                     | B1 U0 G1                   | 3,040                     | B1 U0 G1                   | 3,040                     | B1 U0 G1                   | 3,040                     | B1 U0 G1                   | 3,040                     | B1 U0 G1                   | 3,040                     | B1 U0 G1                   |  |
| 5L                              | 4,610                     | B1 U0 G1                   | 4,610                     | B1 U0 G1                   | 4,610                     | B1 U0 G1                   | 4,610                     | B1 U0 G1                   | 4,610                     | B1 U0 G1                   | 4,610                     | B1 U0 G1                   |  |
| 7L                              | N/A                       | N/A                        | 6,175                     | B1 U0 G2                   | N/A                       | N/A                        | 6,450                     | B1 U0 G2                   | N/A                       | N/A                        | 6,450                     | B1 U0 G2                   |  |
| 9L                              | 7,525                     | B1 U0 G2                   | 8,250                     | B1 U0 G2                   | 7,975                     | B1 U0 G2                   | 8,250                     | B1 U0 G2                   | 8,250                     | B1 U0 G2                   | 8,250                     | B1 U0 G2                   |  |
| 14L                             | N/A                       | N/A                        | 12,800                    | B2 U0 G3                   | N/A                       | N/A                        | 12,800                    | B2 U0 G3                   | N/A                       | N/A                        | 12,800                    | B2 U0 G3                   |  |
| 24L                             | N/A                       | N/A                        | 22,100                    | B3 U0 G5                   | N/A                       | N/A                        | 22,100                    | B3 U0 G5                   | N/A                       | N/A                        | 22,100                    | B3 U0 G5                   |  |
| 32L                             | N/A                       | N/A                        | 26,700                    | B3 U0 G5                   | N/A                       | N/A                        | 29,400                    | B3 U0 G5                   | N/A                       | N/A                        | 29,400                    | B3 U0 G5                   |  |

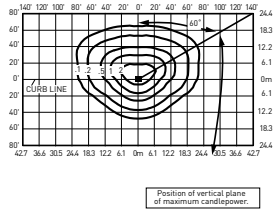
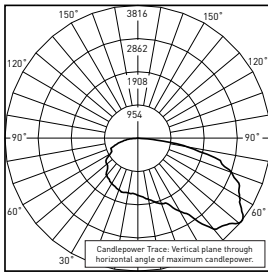
\* Initial delivered lumens at 25°C [77°F]. Actual production yield may vary between -10 and +10% of initial delivered lumens

\*\* For more information on the IES BUG (Backlight-Uplight-Glare) Rating visit: <https://www.ies.org/wp-content/uploads/2017/03/TM-15-11BUGRatingsAddendum.pdf>. Valid with no tilt

**Photometry**

All published luminaire photometric testing performed to IES LM-79 standards. To obtain an IES file specific to your project consult: <https://www.creelighting.com/products/outdoor/street-and-roadway/rsw-series>

**2ME**

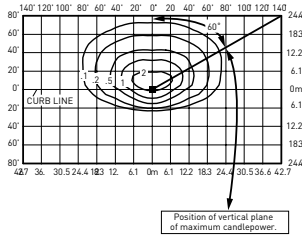
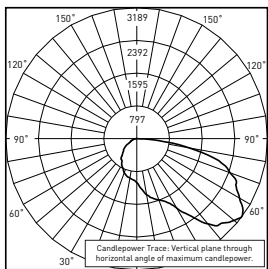


**RESTL Test Report #:** PL16070-001A  
**RSWM-B-\*\*-2ME-9L-40K7-UL-\*\*-N**  
**Initial Delivered Lumens:** 9,166

**RSWM-B-\*\*-2ME-9L-40K7-UL-\*\*-N**  
**Mounting Height:** 25' (7.6m) A.F.G.  
**Initial Delivered Lumens:** 9,000  
 Initial FC at grade

| Type II Medium Distribution |                           |                            |                           |                            |                           |                            |                           |                            |                           |                            |                           |                            |  |
|-----------------------------|---------------------------|----------------------------|---------------------------|----------------------------|---------------------------|----------------------------|---------------------------|----------------------------|---------------------------|----------------------------|---------------------------|----------------------------|--|
| Lumen Package               | 27K (80 CRI)              |                            | 3000K (70 CRI)            |                            | 3000K (80 CRI)            |                            | 4000K (70 CRI)            |                            | 4000K (80 CRI)            |                            | 5000K (70 CRI)            |                            |  |
|                             | Initial Delivered Lumens* | BUG Ratings** per TM-15-11 | Initial Delivered Lumens* | BUG Ratings** per TM-15-11 | Initial Delivered Lumens* | BUG Ratings** per TM-15-11 | Initial Delivered Lumens* | BUG Ratings** per TM-15-11 | Initial Delivered Lumens* | BUG Ratings** per TM-15-11 | Initial Delivered Lumens* | BUG Ratings** per TM-15-11 |  |
| 3L                          | 3,300                     | B1 U0 G1                   | 3,300                     | B1 U0 G1                   | 3,300                     | B1 U0 G1                   | 3,300                     | B1 U0 G1                   | 3,300                     | B1 U0 G1                   | 3,300                     | B1 U0 G1                   |  |
| 5L                          | 5,000                     | B1 U0 G2                   | 5,000                     | B1 U0 G2                   | 5,000                     | B1 U0 G2                   | 5,000                     | B1 U0 G2                   | 5,000                     | B1 U0 G2                   | 5,000                     | B1 U0 G2                   |  |
| 7L                          | N/A                       | N/A                        | 6,700                     | B2 U0 G2                   | N/A                       | N/A                        | 7,000                     | B2 U0 G2                   | N/A                       | N/A                        | 7,000                     | B2 U0 G2                   |  |
| 9L                          | 8,200                     | B2 U0 G2                   | 9,000                     | B2 U0 G2                   | 8,700                     | B2 U0 G2                   | 9,000                     | B2 U0 G2                   | 9,000                     | B2 U0 G2                   | 9,000                     | B2 U0 G2                   |  |
| 14L                         | N/A                       | N/A                        | 14,500                    | B3 U0 G3                   | N/A                       | N/A                        | 14,500                    | B3 U0 G3                   | N/A                       | N/A                        | 14,500                    | B3 U0 G3                   |  |
| 24L                         | N/A                       | N/A                        | 24,000                    | B3 U0 G4                   | N/A                       | N/A                        | 24,000                    | B3 U0 G4                   | N/A                       | N/A                        | 24,000                    | B3 U0 G4                   |  |
| 32L                         | N/A                       | N/A                        | 29,000                    | B3 U0 G4                   | N/A                       | N/A                        | 32,000                    | B4 U0 G4                   | N/A                       | N/A                        | 32,000                    | B4 U0 G4                   |  |

\* Initial delivered lumens at 25°C (77°F). Actual production yield may vary between -10 and +10% of initial delivered lumens  
 \*\* For more information on the IES BUG (Backlight-Uplight-Glare) Rating visit: <https://www.ies.org/wp-content/uploads/2017/03/TM-15-11BUGRatingsAddendum.pdf>. Valid with no tilt



**RESTL Test Report #:** PL16447-001A  
**RSW-B-\*\*-2ME-7L-40K7-UL-\*\*-N/W**  
**RSW-BLSS**  
**Initial Delivered Lumens:** 6,648

**RSW-B-\*\*-2ME-7L-40K7-UL-\*\*-N/W**  
**RSW-BLSM**  
**Mounting Height:** 25' (7.6m) A.F.G.  
**Initial Delivered Lumens:** 8,250  
 Initial FC at grade

| Type II Medium Distribution w/BLS |                           |                            |                           |                            |                           |                            |                           |                            |                           |                            |                           |                            |  |
|-----------------------------------|---------------------------|----------------------------|---------------------------|----------------------------|---------------------------|----------------------------|---------------------------|----------------------------|---------------------------|----------------------------|---------------------------|----------------------------|--|
| Lumen Package                     | 27K (80 CRI)              |                            | 3000K (70 CRI)            |                            | 3000K (80 CRI)            |                            | 4000K (70 CRI)            |                            | 4000K (80 CRI)            |                            | 5000K (70 CRI)            |                            |  |
|                                   | Initial Delivered Lumens* | BUG Ratings** per TM-15-11 | Initial Delivered Lumens* | BUG Ratings** per TM-15-11 | Initial Delivered Lumens* | BUG Ratings** per TM-15-11 | Initial Delivered Lumens* | BUG Ratings** per TM-15-11 | Initial Delivered Lumens* | BUG Ratings** per TM-15-11 | Initial Delivered Lumens* | BUG Ratings** per TM-15-11 |  |
| 3L                                | 3,040                     | B1 U0 G2                   | 3,040                     | B1 U0 G2                   | 3,040                     | B1 U0 G2                   | 3,040                     | B1 U0 G2                   | 3,040                     | B1 U0 G2                   | 3,040                     | B1 U0 G2                   |  |
| 5L                                | 4,610                     | B1 U0 G2                   | 4,610                     | B1 U0 G2                   | 4,610                     | B1 U0 G2                   | 4,610                     | B1 U0 G2                   | 4,610                     | B1 U0 G2                   | 4,610                     | B1 U0 G2                   |  |
| 7L                                | N/A                       | N/A                        | 6,175                     | B1 U0 G3                   | N/A                       | N/A                        | 6,450                     | B1 U0 G3                   | N/A                       | N/A                        | 6,450                     | B1 U0 G3                   |  |
| 9L                                | 7,525                     | B1 U0 G3                   | 8,250                     | B1 U0 G3                   | 7,975                     | B1 U0 G3                   | 8,250                     | B1 U0 G3                   | 8,250                     | B1 U0 G3                   | 8,250                     | B1 U0 G3                   |  |
| 14L                               | N/A                       | N/A                        | 12,800                    | B2 U0 G3                   | N/A                       | N/A                        | 12,800                    | B2 U0 G3                   | N/A                       | N/A                        | 12,800                    | B2 U0 G3                   |  |
| 24L                               | N/A                       | N/A                        | 22,100                    | B3 U0 G5                   | N/A                       | N/A                        | 22,100                    | B3 U0 G5                   | N/A                       | N/A                        | 22,100                    | B3 U0 G5                   |  |
| 32L                               | N/A                       | N/A                        | 26,700                    | B3 U0 G5                   | N/A                       | N/A                        | 29,400                    | B3 U0 G5                   | N/A                       | N/A                        | 29,400                    | B3 U0 G5                   |  |

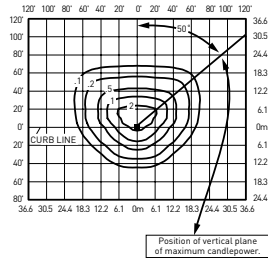
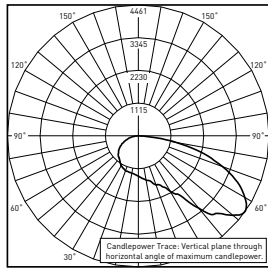
\* Initial delivered lumens at 25°C (77°F). Actual production yield may vary between -10 and +10% of initial delivered lumens  
 \*\* For more information on the IES BUG (Backlight-Uplight-Glare) Rating visit: <https://www.ies.org/wp-content/uploads/2017/03/TM-15-11BUGRatingsAddendum.pdf>. Valid with no tilt

**Photometry**

All published luminaire photometric testing performed to IES LM-79 standards. To obtain an IES file specific to your project consult:

<https://www.creelighting.com/products/outdoor/street-and-roadway/rsw-series>

**3ME**



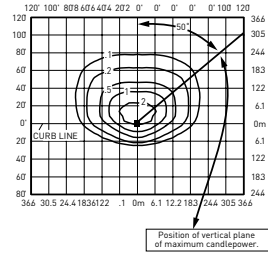
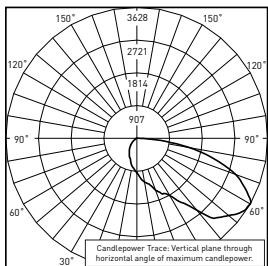
**RESTL Test Report #:** PL15958-001A  
**RSWM-B-\*\*-3ME-9L-40K7-UL-\*\*-N**  
**Initial Delivered Lumens:** 8,705

**RSWM-B-\*\*-3ME-9L-40K7-UL-\*\*-N**  
**Mounting Height:** 25' (7.6m) A.F.G.  
**Initial Delivered Lumens:** 9,000  
**Initial FC at grade**

| Type III Medium Distribution |                           |                            |                           |                            |                           |                            |                           |                            |                           |                            |                           |                            |
|------------------------------|---------------------------|----------------------------|---------------------------|----------------------------|---------------------------|----------------------------|---------------------------|----------------------------|---------------------------|----------------------------|---------------------------|----------------------------|
| Lumen Package                | 27K (80 CRI)              |                            | 3000K (70 CRI)            |                            | 3000K (80 CRI)            |                            | 4000K (70 CRI)            |                            | 4000K (80 CRI)            |                            | 5000K (70 CRI)            |                            |
|                              | Initial Delivered Lumens* | BUG Ratings** per TM-15-11 | Initial Delivered Lumens* | BUG Ratings** per TM-15-11 | Initial Delivered Lumens* | BUG Ratings** per TM-15-11 | Initial Delivered Lumens* | BUG Ratings** per TM-15-11 | Initial Delivered Lumens* | BUG Ratings** per TM-15-11 | Initial Delivered Lumens* | BUG Ratings** per TM-15-11 |
| 3L                           | 3,300                     | B1 U0 G1                   | 3,300                     | B1 U0 G1                   | 3,300                     | B1 U0 G1                   | 3,300                     | B1 U0 G1                   | 3,300                     | B1 U0 G1                   | 3,300                     | B1 U0 G1                   |
| 5L                           | 5,000                     | B1 U0 G1                   | 5,000                     | B1 U0 G1                   | 5,000                     | B1 U0 G1                   | 5,000                     | B1 U0 G1                   | 5,000                     | B1 U0 G1                   | 5,000                     | B1 U0 G1                   |
| 7L                           | N/A                       | N/A                        | 6,700                     | B1 U0 G2                   | N/A                       | N/A                        | 7,000                     | B1 U0 G2                   | N/A                       | N/A                        | 7,000                     | B1 U0 G2                   |
| 9L                           | 8,200                     | B2 U0 G2                   | 9,000                     | B2 U0 G2                   | 8,700                     | B2 U0 G2                   | 9,000                     | B2 U0 G2                   | 9,000                     | B2 U0 G2                   | 9,000                     | B2 U0 G2                   |
| 14L                          | N/A                       | N/A                        | 14,500                    | B2 U0 G3                   | N/A                       | N/A                        | 14,500                    | B2 U0 G3                   | N/A                       | N/A                        | 14,500                    | B2 U0 G3                   |
| 24L                          | N/A                       | N/A                        | 24,000                    | B3 U0 G3                   | N/A                       | N/A                        | 24,000                    | B3 U0 G3                   | N/A                       | N/A                        | 24,000                    | B3 U0 G3                   |
| 32L                          | N/A                       | N/A                        | 29,000                    | B3 U0 G4                   | N/A                       | N/A                        | 32,000                    | B3 U0 G4                   | N/A                       | N/A                        | 32,000                    | B3 U0 G4                   |

\* Initial delivered lumens at 25°C (77°F). Actual production yield may vary between -10 and +10% of initial delivered lumens

\*\* For more information on the IES BUG (Backlight-Uplight-Glare) Rating visit: <https://www.ies.org/wp-content/uploads/2017/03/TM-15-11BUGRatingsAddendum.pdf>. Valid with no tilt



**RESTL Test Report #** PL16166-001A  
**RSW-B-\*\*-3ME-7L-40K7-UL-\*\*-N w/RSW-BLSM**  
**Initial Delivered Lumens:** 6,603

**RSW-B-\*\*-3ME-7L-40K7-UL-\*\*-N w/RSW-BLSM**  
**Mounting Height:** 25' (7.6m) A.F.G.  
**Initial Delivered Lumens:** 8,250  
**Initial FC at grade**

| Type III Medium Distribution w/BLS |                           |                            |                           |                            |                           |                            |                           |                            |                           |                            |                           |                            |
|------------------------------------|---------------------------|----------------------------|---------------------------|----------------------------|---------------------------|----------------------------|---------------------------|----------------------------|---------------------------|----------------------------|---------------------------|----------------------------|
| Lumen Package                      | 27K (80 CRI)              |                            | 3000K (70 CRI)            |                            | 3000K (80 CRI)            |                            | 4000K (70 CRI)            |                            | 4000K (80 CRI)            |                            | 5000K (70 CRI)            |                            |
|                                    | Initial Delivered Lumens* | BUG Ratings** per TM-15-11 | Initial Delivered Lumens* | BUG Ratings** per TM-15-11 | Initial Delivered Lumens* | BUG Ratings** per TM-15-11 | Initial Delivered Lumens* | BUG Ratings** per TM-15-11 | Initial Delivered Lumens* | BUG Ratings** per TM-15-11 | Initial Delivered Lumens* | BUG Ratings** per TM-15-11 |
| 3L                                 | 3,040                     | B1 U0 G2                   | 3,040                     | B1 U0 G2                   | 3,040                     | B1 U0 G2                   | 3,040                     | B1 U0 G2                   | 3,040                     | B1 U0 G2                   | 3,040                     | B1 U0 G2                   |
| 5L                                 | 4,610                     | B1 U0 G2                   | 4,610                     | B1 U0 G2                   | 4,610                     | B1 U0 G2                   | 4,610                     | B1 U0 G2                   | 4,610                     | B1 U0 G2                   | 4,610                     | B1 U0 G2                   |
| 7L                                 | N/A                       | N/A                        | 6,175                     | B1 U0 G3                   | N/A                       | N/A                        | 6,450                     | B1 U0 G3                   | N/A                       | N/A                        | 6,450                     | B1 U0 G3                   |
| 9L                                 | 7,525                     | B1 U0 G3                   | 8,250                     | B1 U0 G3                   | 7,975                     | B1 U0 G3                   | 8,250                     | B1 U0 G3                   | 8,250                     | B1 U0 G3                   | 8,250                     | B1 U0 G3                   |
| 14L                                | N/A                       | N/A                        | 12,800                    | B2 U0 G3                   | N/A                       | N/A                        | 12,800                    | B2 U0 G3                   | N/A                       | N/A                        | 12,800                    | B2 U0 G3                   |
| 24L                                | N/A                       | N/A                        | 22,100                    | B3 U0 G4                   | N/A                       | N/A                        | 22,100                    | B3 U0 G4                   | N/A                       | N/A                        | 22,100                    | B3 U0 G4                   |
| 32L                                | N/A                       | N/A                        | 26,700                    | B3 U0 G5                   | N/A                       | N/A                        | 29,400                    | B3 U0 G5                   | N/A                       | N/A                        | 29,400                    | B3 U0 G5                   |

\* Initial delivered lumens at 25°C (77°F). Actual production yield may vary between -10 and +10% of initial delivered lumens

\*\* For more information on the IES BUG (Backlight-Uplight-Glare) Rating visit: <https://www.ies.org/wp-content/uploads/2017/03/TM-15-11BUGRatingsAddendum.pdf>. Valid with no tilt

**Luminaire EPA**

**Horizontal Tenon Mount** – RSWS Weight: 9.4 lbs. (4.3kg); RSW-BLSS, RSW-CLSS, or RSW-FLSS Accessories: add 0.4 lbs. (0.2kg); RSWM Weight: 15.6 lbs. (7.1kg); RSW-BLSM Accessory: add 0.4 lbs. (0.2kg); RSW-CLSM or RSW-FLSM Accessories: add 0.6 lbs. (0.3kg); RSWL Weight: 20.2 lbs. (9.2kg); RSW-BLSL Accessory: add 0.6 lbs. (0.3kg); RSW-CLSL Accessory: add 1.0 lb. (0.5kg); RSWX Weight: 28.8 lbs. (13.1kg); RSW-BLSX Accessory: add 0.8 lbs. (0.4kg)

|   | Single   | 2 @ 90°               | 2 @ 180°                | 3 @ 90°               | 4 @ 90°               |
|---|--|-----------------------|-------------------------|-----------------------|-----------------------|
| Luminaire   | <b>Tenon Configuration</b> [0°-80° Tilt]; If used with Cree Lighting tenons, please add tenon EPA with Luminaire EPA |                       |                         |                       |                       |
|   |  |                       |                         |                       |                       |
|   | PD-1H4; PT-1H  | PD-2H4(90); PT-2H(90) | PD-2H4(180); PT-2H(180) | PD-3H4(90); PT-3H(90) | PD-4H4(90); PT-4H(90) |
| RSWS  | 0.61   | 0.89                  | 1.22                    | 1.50                  | 1.78                  |
| RSWM  | 0.86   | 1.24                  | 1.71                    | 2.10                  | 2.49                  |
| RSWL  | 1.00   | 1.55                  | 2.00                    | 2.55                  | 3.10                  |
| RSWX  | 1.17   | 1.93                  | 2.33                    | 3.09                  | 3.85                  |
| RSWS Luminaire w/RSW-BLSS, RSW-CLSS or RSW-FLSS Accessory | 0.61   | 1.25                  | 1.22                    | 1.85                  | 2.49                  |
| RSWM Luminaire w/RSW-BLSM, RSW-CLSM or RSW-FLSM Accessory | 0.86   | 1.59                  | 1.71                    | 2.45                  | 3.19                  |
| RSWL Luminaire w/RSW-BLSL or RSW-CLSL Accessory           | 1.01   | 2.16                  | 2.01                    | 3.17                  | 4.33                  |
| RSWX Luminaire w/RSW-BLSX Accessory                       | 1.18   | 2.85                  | 2.35                    | 4.02                  | 5.70                  |

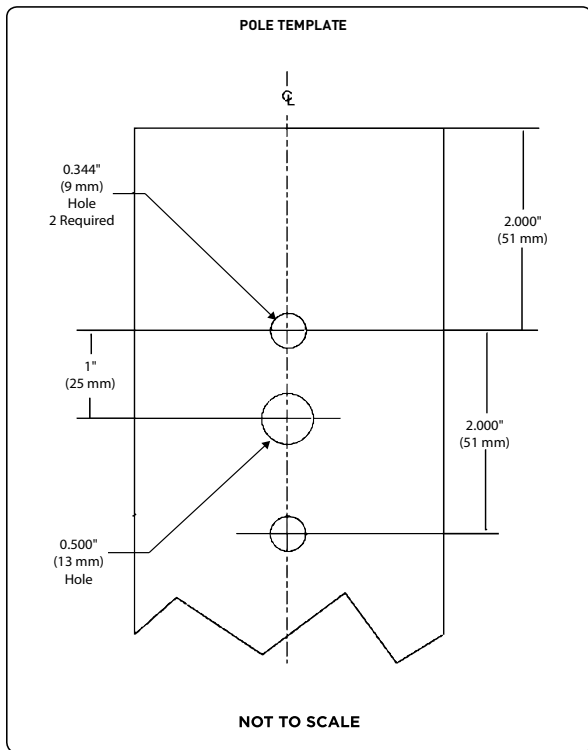
**Tenon EPA**

| Part Number      | EPA  |
|------------------|------|
| PD Series Tenons | 0.09 |
| PT Series Tenons | 0.10 |
| WM-2L            | 0.13 |
| XA-TMDA8         | 0.19 |

| Tenons and Brackets <sup>‡</sup> (must specify color)   |  |
|---|--|
| <p><b>Square Internal Mount Horizontal Tenons (Aluminum)</b><br/>                     - Mounts to 4" (102mm) square aluminum or steel poles<br/>                     PD-1H4 – Single PD-3H4(90) – 90° Triple<br/>                     PD-2H4(90) – 90° Twin PD-4H4(90) – 90° Quad<br/>                     PD-2H4(180) – 180° Twin</p> <p><b>Wall Mount Brackets</b><br/>                     - Mounts to wall or roof<br/>                     WM-2L – Extended Horizontal</p> | <p><b>Round External Mount Horizontal Tenons (Aluminum)</b><br/>                     - Mounts to 2.375"-3" (60-76mm) O.D. round aluminum or steel poles or tenons<br/>                     PT-1H – Single PT-3H(90) – 90° Triple<br/>                     PT-2H(90) – 90° Twin PT-4H(90) – 90° Quad<br/>                     PT-2H(180) – 180° Twin</p> <p><b>Direct Arm Pole Adaptor Bracket</b><br/>                     - Mounts to 3-6" (76-152mm) round or square aluminum or steel poles<br/>                     XA-TMDA8</p> |

<sup>‡</sup> Refer to the [Bracket and Tenons spec sheet](#) for more details

**Fixture Mounting Drill Pattern for XA-TMDA8**



**Field Adjustable Output (Q4/Q3/Q2/Q1) Option Description:**

The Field Adjustable Output option enables the street and area luminaire within the RSW Series on this page to be tuned to the exact needs of a particular application through multiple levels of adjustment. When ordered with the Q option, the luminaire will be shipped from the factory at the selected lumen output, will be fully adjustable between the outputs, and will include an ANSI C136.15-2020 utility label that indicates the wattage (rounded to nearest 10W), the lumen output (rounded to nearest 1000 lumens), and the CCT of the luminaire at the selected lumen output. Additional dimming functionality is available when a dimming control (by others) is used in the 7-Pin receptacle.

**Locked Lumen Output (X3/X2/X1) Option Description:**

The Locked Lumen Output option on this page permanently locks the lumen output on the RSW Series street and area luminaire to the setting selected. When ordered with the X option, the luminaire will be shipped from the factory at the lumen output setting selected, and will include a utility label that indicates the wattage, lumen output, and CCT of the setting selected. When this option is selected, the luminaire output is not able to be adjusted in the field except if a dimming control (by others) is used in the 7-Pin receptacle.

**Q & X Option Power & Lumen Data – 3L**

| Q Setting          | X Setting           | CCT/CRI | System Watts † | Lumen Values  |       | Utility Label |        | Optics Qualified on DLC QPL |               |               |
|--------------------|---------------------|---------|----------------|---------------|-------|---------------|--------|-----------------------------|---------------|---------------|
|                    |                     |         | 120-277V       | 2LG, 2ME, 3ME | w/BLS | Wattage       | Lumens | DLC Standard                | DLC Premium   |               |
| Q4<br>(Full Power) | N/A<br>(Full Power) | 27K8    | 29             | 3,300         | 3,040 | 30            | 3000 L | 2LG, 2ME, 3ME               | 2LG, 2ME, 3ME |               |
|                    |                     | 30K7    | 27             |               |       |               |        |                             | 30            | 2LG, 2ME, 3ME |
|                    |                     | 30K8    | 29             |               |       |               |        |                             | 30            | 2LG, 2ME, 3ME |
|                    |                     | 40K7    | 25             |               |       |               |        |                             | 30            | 2LG, 2ME, 3ME |
|                    |                     | 40K8    | 27             |               |       |               |        |                             | 30            | 2LG, 2ME, 3ME |
|                    |                     | 50K7    | 25             |               |       |               |        |                             | 30            | 2LG, 2ME, 3ME |
| Q3                 | X3                  | 27K8    | 24             | 2,730         | 2,520 | 20            | 3000 L | 2LG, 2ME, 3ME               | 2LG, 2ME, 3ME |               |
|                    |                     | 30K7    | 22             |               |       |               |        |                             | 20            | 2LG, 2ME, 3ME |
|                    |                     | 30K8    | 24             |               |       |               |        |                             | 20            | 2LG, 2ME, 3ME |
|                    |                     | 40K7    | 21             |               |       |               |        |                             | 20            | 2LG, 2ME, 3ME |
|                    |                     | 40K8    | 22             |               |       |               |        |                             | 20            | 2LG, 2ME, 3ME |
|                    |                     | 50K7    | 21             |               |       |               |        |                             | 20            | 2LG, 2ME, 3ME |
| Q2                 | X2                  | 27K8    | 19             | 2,230         | 2,060 | 20            | 2000 L | 2LG, 2ME, 3ME               | 2LG, 2ME, 3ME |               |
|                    |                     | 30K7    | 18             |               |       |               |        |                             | 20            | 2LG, 2ME, 3ME |
|                    |                     | 30K8    | 19             |               |       |               |        |                             | 20            | 2LG, 2ME, 3ME |
|                    |                     | 40K7    | 17             |               |       |               |        |                             | 20            | 2LG, 2ME, 3ME |
|                    |                     | 40K8    | 18             |               |       |               |        |                             | 20            | 2LG, 2ME, 3ME |
|                    |                     | 50K7    | 17             |               |       |               |        |                             | 20            | 2LG, 2ME, 3ME |
| Q1                 | X1                  | 27K8    | 15             | 1,730         | 1,600 | 20            | 2000 L | 2LG, 2ME, 3ME               | 2LG, 2ME, 3ME |               |
|                    |                     | 30K7    | 14             |               |       |               |        |                             | 10            | 2LG, 2ME, 3ME |
|                    |                     | 30K8    | 15             |               |       |               |        |                             | 20            | 2LG, 2ME, 3ME |
|                    |                     | 40K7    | 13             |               |       |               |        |                             | 10            | 2LG, 2ME, 3ME |
|                    |                     | 40K8    | 14             |               |       |               |        |                             | 10            | 2LG, 2ME, 3ME |
|                    |                     | 50K7    | 13             |               |       |               |        |                             | 10            | 2LG, 2ME, 3ME |

† Electrical and lumen data at 25°C (77°F). Actual wattage and lumen output may differ by +/-10% when operating between 120-277V +/-10%

**Field Adjustable Output (Q4/Q3/Q2/Q1) Option Description:**

The Field Adjustable Output option enables the street and area luminaire within the RSW Series on this page to be tuned to the exact needs of a particular application through multiple levels of adjustment. When ordered with the Q option, the luminaire will be shipped from the factory at the selected lumen output, will be fully adjustable between the outputs, and will include an ANSI C136.15-2020 utility label that indicates the wattage (rounded to nearest 10W), the lumen output (rounded to nearest 1000 lumens), and the CCT of the luminaire at the selected lumen output. Additional dimming functionality is available when a dimming control (by others) is used in the 7-Pin receptacle.

**Locked Lumen Output (X3/X2/X1) Option Description:**

The Locked Lumen Output option on this page permanently locks the lumen output on the RSW Series street and area luminaire to the setting selected. When ordered with the X option, the luminaire will be shipped from the factory at the lumen output setting selected, and will include a utility label that indicates the wattage, lumen output, and CCT of the setting selected. When this option is selected, the luminaire output is not able to be adjusted in the field except if a dimming control (by others) is used in the 7-Pin receptacle.

**Q & X Option Power & Lumen Data – 5L**

| Q Setting          | X Setting           | CCT/CRI | System Watts † | Lumen Values  |       | Utility Label |        | Optics Qualified on DLC QPL |               |
|--------------------|---------------------|---------|----------------|---------------|-------|---------------|--------|-----------------------------|---------------|
|                    |                     |         | 120-277V       | 2LG, 2ME, 3ME | w/BLS | Wattage       | Lumens | DLC Standard                | DLC Premium   |
| Q4<br>(Full Power) | N/A<br>(Full Power) | 27K8    | 45             | 5,000         | 4,610 | 5000 L        | 50     | 2LG, 2ME, 3ME               | 2LG, 2ME, 3ME |
|                    |                     | 30K7    | 42             |               |       |               | 40     |                             |               |
|                    |                     | 30K8    | 45             |               |       |               | 50     |                             |               |
|                    |                     | 40K7    | 40             |               |       |               | 40     |                             |               |
|                    |                     | 40K8    | 45             |               |       |               | 50     |                             |               |
|                    |                     | 50K7    | 40             |               |       |               | 40     |                             |               |
| Q3                 | X3                  | 27K8    | 40             | 4,610         | 4,250 | 5000 L        | 40     | 2LG, 2ME, 3ME               | 2LG, 2ME, 3ME |
|                    |                     | 30K7    | 38             |               |       |               | 40     |                             |               |
|                    |                     | 30K8    | 40             |               |       |               | 40     |                             |               |
|                    |                     | 40K7    | 36             |               |       |               | 40     |                             |               |
|                    |                     | 40K8    | 40             |               |       |               | 40     |                             |               |
|                    |                     | 50K7    | 36             |               |       |               | 40     |                             |               |
| Q2                 | X2                  | 27K8    | 36             | 4,180         | 3,850 | 4000 L        | 40     | 2LG, 2ME, 3ME               | 2LG, 2ME, 3ME |
|                    |                     | 30K7    | 34             |               |       |               | 30     |                             |               |
|                    |                     | 30K8    | 36             |               |       |               | 40     |                             |               |
|                    |                     | 40K7    | 33             |               |       |               | 30     |                             |               |
|                    |                     | 40K8    | 36             |               |       |               | 40     |                             |               |
|                    |                     | 50K7    | 33             |               |       |               | 30     |                             |               |
| Q1                 | X1                  | 27K8    | 32             | 3,720         | 3,430 | 4000 L        | 30     | 2LG, 2ME, 3ME               | 2LG, 2ME, 3ME |
|                    |                     | 30K7    | 30             |               |       |               | 30     |                             |               |
|                    |                     | 30K8    | 32             |               |       |               | 30     |                             |               |
|                    |                     | 40K7    | 29             |               |       |               | 30     |                             |               |
|                    |                     | 40K8    | 32             |               |       |               | 30     |                             |               |
|                    |                     | 50K7    | 29             |               |       |               | 30     |                             |               |

† Electrical and lumen data at 25°C (77°F). Actual wattage and lumen output may differ by +/-10% when operating between 120-277V +/-10%



**Field Adjustable Output (Q4/Q3/Q2/Q1) Option Description:**

The Field Adjustable Output option enables the street and area luminaire within the RSW Series on this page to be tuned to the exact needs of a particular application through multiple levels of adjustment. When ordered with the Q option, the luminaire will be shipped from the factory at the selected lumen output, will be fully adjustable between the outputs, and will include an ANSI C136.15-2020 utility label that indicates the wattage (rounded to nearest 10W), the lumen output (rounded to nearest 1000 lumens), and the CCT of the luminaire at the selected lumen output. Additional dimming functionality is available when a dimming control (by others) is used in the 7-Pin receptacle.

**Locked Lumen Output (X3/X2/X1) Option Description:**

The Locked Lumen Output option on this page permanently locks the lumen output on the RSW Series street and area luminaire to the setting selected. When ordered with the X option, the luminaire will be shipped from the factory at the lumen output setting selected, and will include a utility label that indicates the wattage, lumen output, and CCT of the setting selected. When this option is selected, the luminaire output is not able to be adjusted in the field except if a dimming control (by others) is used in the 7-Pin receptacle.

**Q & X Option Power & Lumen Data – 7L**

| Q Setting          | X Setting           | CCT/CRI | System Watts <sup>†</sup> | Lumen Values  |       | Utility Label |        | Optics Qualified on DLC QPL |
|--------------------|---------------------|---------|---------------------------|---------------|-------|---------------|--------|-----------------------------|
|                    |                     |         | 120-277V                  | 2LG, 2ME, 3ME | w/BLS | Wattage       | Lumens | DLC Premium                 |
| Q4<br>(Full Power) | N/A<br>(Full Power) | 30K7    | 51                        | 6,700         | 6,175 | 50            | 7000 L | 2LG, 2ME, 3ME               |
|                    |                     | 40K7    | 50                        | 7,000         | 6,450 | 50            |        | 2LG, 2ME, 3ME               |
|                    |                     | 50K7    | 50                        | 7,000         | 6,450 | 50            |        | 2LG, 2ME, 3ME               |
| Q3                 | X3                  | 30K7    | 45                        | 6,125         | 5,650 | 50            | 6000 L | 2LG, 2ME, 3ME               |
|                    |                     | 40K7    | 45                        | 6,400         | 5,900 | 50            |        | 2LG, 2ME, 3ME               |
|                    |                     | 50K7    | 45                        | 6,400         | 5,900 | 50            |        | 2LG, 2ME, 3ME               |
| Q2                 | X2                  | 30K7    | 40                        | 5,475         | 5,050 | 40            | 5000 L | 2LG, 2ME, 3ME               |
|                    |                     | 40K7    | 39                        | 5,700         | 5,260 | 40            | 6000 L | 2LG, 2ME, 3ME               |
|                    |                     | 50K7    | 39                        | 5,700         | 5,260 | 40            |        | 2LG, 2ME, 3ME               |
| Q1                 | X1                  | 30K7    | 35                        | 4,850         | 4,470 | 40            | 5000 L | 2LG, 2ME, 3ME               |
|                    |                     | 40K7    | 35                        | 5,075         | 4,680 | 40            |        | 2LG, 2ME, 3ME               |
|                    |                     | 50K7    | 35                        | 5,075         | 4,680 | 40            |        | 2LG, 2ME, 3ME               |

<sup>†</sup> Electrical and lumen data at 25°C (77°F). Actual wattage and lumen output may differ by +/-10% when operating between 120-277V +/-10%

**Field Adjustable Output (Q4/Q3/Q2/Q1) Option Description:**

The Field Adjustable Output option enables the street and area luminaire within the RSW Series on this page to be tuned to the exact needs of a particular application through multiple levels of adjustment. When ordered with the Q option, the luminaire will be shipped from the factory at the selected lumen output, will be fully adjustable between the outputs, and will include an ANSI C136.15-2020 utility label that indicates the wattage (rounded to nearest 10W), the lumen output (rounded to nearest 1000 lumens), and the CCT of the luminaire at the selected lumen output. Additional dimming functionality is available when a dimming control (by others) is used in the 7-Pin receptacle.

**Locked Lumen Output (X3/X2/X1) Option Description:**

The Locked Lumen Output option on this page permanently locks the lumen output on the RSW Series street and area luminaire to the setting selected. When ordered with the X option, the luminaire will be shipped from the factory at the lumen output setting selected, and will include a utility label that indicates the wattage, lumen output, and CCT of the setting selected. When this option is selected, the luminaire output is not able to be adjusted in the field except if a dimming control (by others) is used in the 7-Pin receptacle.

**Q & X Option Power & Lumen Data – 9L**

| Q Setting          | X Setting           | CCT/CRI | System Watts † | Lumen Values  |       | Utility Label |        | Optics Qualified on DLC QPL |               |        |
|--------------------|---------------------|---------|----------------|---------------|-------|---------------|--------|-----------------------------|---------------|--------|
|                    |                     |         | 120-277V       | 2LG, 2ME, 3ME | w/BLS | Wattage       | Lumens | DLC Standard                | DLC Premium   |        |
| Q8<br>[Full Power] | N/A<br>[Full Power] | 27K8    | 76             | 8,200         | 7,525 | 80            | 9000 L | 2LG, 2ME, 3ME               | 2LG, 2ME, 3ME |        |
|                    |                     | 30K7    | 73             | 9,000         | 8,250 | 70            |        |                             |               |        |
|                    |                     | 30K8    | 76             | 8,700         | 7,975 | 80            |        |                             |               |        |
|                    |                     | 40K7    | 64             | 9,000         | 8,250 | 60            |        |                             |               |        |
|                    |                     | 40K8    | 76             |               |       | 80            |        |                             |               |        |
|                    |                     | 50K7    | 64             |               |       | 60            |        |                             |               |        |
|                    |                     |         |                |               |       |               |        |                             |               |        |
| Q7                 | X7                  | 27K8    | 73             | 7,925         | 7,275 | 70            | 8000 L | 2LG, 2ME, 3ME               | 2LG, 2ME, 3ME |        |
|                    |                     | 30K7    | 70             | 8,700         | 7,975 | 70            | 9000 L |                             |               |        |
|                    |                     | 30K8    | 73             | 8,400         | 7,700 | 70            | 8000 L |                             |               |        |
|                    |                     | 40K7    | 61             | 8,700         | 7,975 | 60            | 9000 L |                             |               |        |
|                    |                     | 40K8    | 73             |               |       | 70            |        |                             |               |        |
|                    |                     | 50K7    | 61             |               |       | 60            |        |                             |               |        |
|                    |                     |         |                |               |       |               |        |                             |               |        |
| Q6                 | X6                  | 27K8    | 69             | 7,575         | 6,950 | 70            | 8000 L | 2LG, 2ME, 3ME               | 2LG, 2ME, 3ME |        |
|                    |                     | 30K7    | 66             | 8,275         | 7,600 | 70            |        |                             |               |        |
|                    |                     | 30K8    | 69             | 8,025         | 7,375 | 70            |        |                             |               |        |
|                    |                     | 40K7    | 58             | 8,275         | 7,600 | 60            |        |                             |               | 8000 L |
|                    |                     | 40K8    | 69             |               |       | 70            |        |                             |               |        |
|                    |                     | 50K7    | 58             |               |       | 60            |        |                             |               |        |
|                    |                     |         |                |               |       |               |        |                             |               |        |
| Q5                 | X5                  | 27K8    | 63             | 7,050         | 6,475 | 60            | 7000 L | 2LG, 2ME, 3ME               | 2LG, 2ME, 3ME |        |
|                    |                     | 30K7    | 61             | 7,725         | 7,100 | 60            | 8000 L |                             |               |        |
|                    |                     | 30K8    | 63             | 7,475         | 6,850 | 60            | 7000 L |                             |               |        |
|                    |                     | 40K7    | 53             | 7,725         | 7,100 | 50            | 8000 L |                             |               |        |
|                    |                     | 40K8    | 63             |               |       | 60            |        |                             |               |        |
|                    |                     | 50K7    | 53             |               |       | 50            |        |                             |               |        |
|                    |                     |         |                |               |       |               |        |                             |               |        |
| Q4                 | X4                  | 27K8    | 61             | 6,850         | 6,275 | 60            | 7000 L | 2LG, 2ME, 3ME               | 2LG, 2ME, 3ME |        |
|                    |                     | 30K7    | 59             | 7,500         | 6,875 | 60            | 8000 L |                             |               |        |
|                    |                     | 30K8    | 61             | 7,275         | 6,675 | 60            | 7000 L |                             |               |        |
|                    |                     | 40K7    | 52             | 7,500         | 6,875 | 50            | 8000 L |                             |               |        |
|                    |                     | 40K8    | 61             |               |       | 60            |        |                             |               |        |
|                    |                     | 50K7    | 52             |               |       | 50            |        |                             |               |        |
|                    |                     |         |                |               |       |               |        |                             |               |        |
| Q3                 | X3                  | 27K8    | 58             | 6,500         | 5,975 | 60            | 7000 L | 2LG, 2ME, 3ME               | 2LG, 2ME, 3ME |        |
|                    |                     | 30K7    | 56             | 7,100         | 6,525 | 60            |        |                             |               |        |
|                    |                     | 30K8    | 58             | 6,900         | 6,325 | 60            |        |                             |               |        |
|                    |                     | 40K7    | 49             | 7,100         | 6,525 | 50            |        |                             |               | 7000 L |
|                    |                     | 40K8    | 58             |               |       | 60            |        |                             |               |        |
|                    |                     | 50K7    | 49             |               |       | 50            |        |                             |               |        |
|                    |                     |         |                |               |       |               |        |                             |               |        |
| Q2                 | X2                  | 27K8    | 56             | 6,300         | 5,775 | 60            | 6000 L | 2LG, 2ME, 3ME               | 2LG, 2ME, 3ME |        |
|                    |                     | 30K7    | 54             | 6,875         | 6,300 | 50            | 7000 L |                             |               |        |
|                    |                     | 30K8    | 56             | 6,675         | 6,125 | 60            |        |                             |               |        |
|                    |                     | 40K7    | 47             | 6,875         | 6,300 | 50            |        |                             |               | 7000 L |
|                    |                     | 40K8    | 56             |               |       | 60            |        |                             |               |        |
|                    |                     | 50K7    | 47             |               |       | 50            |        |                             |               |        |
|                    |                     |         |                |               |       |               |        |                             |               |        |
| Q1                 | X1                  | 27K8    | 49             | 5,625         | 5,175 | 50            | 6000 L | 2LG, 2ME, 3ME               | 2LG, 2ME, 3ME |        |
|                    |                     | 30K7    | 47             | 6,125         | 5,625 | 50            |        |                             |               |        |
|                    |                     | 30K8    | 49             | 5,975         | 5,475 | 50            |        |                             |               |        |
|                    |                     | 40K7    | 42             | 6,125         | 5,625 | 40            |        |                             |               | 6000 L |
|                    |                     | 40K8    | 49             |               |       | 50            |        |                             |               |        |
|                    |                     | 50K7    | 42             |               |       | 40            |        |                             |               |        |
|                    |                     |         |                |               |       |               |        |                             |               |        |

† Electrical and lumen data at 25°C (77°F). Actual wattage and lumen output may differ by +/-10% when operating between 120-277V or 347-480V +/-10%

**Field Adjustable Output (Q4/Q3/Q2/Q1) Option Description:**

The Field Adjustable Output option enables the street and area luminaire within the RSW Series on this page to be tuned to the exact needs of a particular application through multiple levels of adjustment. When ordered with the Q option, the luminaire will be shipped from the factory at the selected lumen output, will be fully adjustable between the outputs, and will include an ANSI C136.15-2020 utility label that indicates the wattage (rounded to nearest 10W), the lumen output (rounded to nearest 1000 lumens), and the CCT of the luminaire at the selected lumen output. Additional dimming functionality is available when a dimming control (by others) is used in the 7-Pin receptacle.

**Locked Lumen Output (X3/X2/X1) Option Description:**

The Locked Lumen Output option on this page permanently locks the lumen output on the RSW Series street and area luminaire to the setting selected. When ordered with the X option, the luminaire will be shipped from the factory at the lumen output setting selected, and will include a utility label that indicates the wattage, lumen output, and CCT of the setting selected. When this option is selected, the luminaire output is not able to be adjusted in the field except if a dimming control (by others) is used in the 7-Pin receptacle.

**Q & X Option Power & Lumen Data – 14L**

| Q Setting          | X Setting           | CCT/CRI | System Watts † | Lumen Values  |        | Utility Label |        | Optics Qualified on DLC QPL |
|--------------------|---------------------|---------|----------------|---------------|--------|---------------|--------|-----------------------------|
|                    |                     |         | 120-277V       | 2LG, 2ME, 3ME | w/BLS  | Wattage       | Lumens | DLC Premium                 |
| Q9<br>(Full Power) | N/A<br>(Full Power) | 30K7    | 108            | 14,500        | 12,800 | 15000 L       | 110    | 2LG, 2ME, 3ME               |
|                    |                     | 40K7    | 111            |               |        |               | 110    |                             |
|                    |                     | 50K7    | 111            |               |        |               | 110    |                             |
| Q8                 | X8                  | 30K7    | 103            | 14,025        | 12,400 | 14000 L       | 100    | 2LG, 2ME, 3ME               |
|                    |                     | 40K7    | 105            |               |        |               | 110    |                             |
|                    |                     | 50K7    | 105            |               |        |               | 110    |                             |
| Q7                 | X7                  | 30K7    | 97             | 13,400        | 11,825 | 13000 L       | 100    | 2LG, 2ME, 3ME               |
|                    |                     | 40K7    | 99             |               |        |               | 100    |                             |
|                    |                     | 50K7    | 99             |               |        |               | 100    |                             |
| Q6                 | X6                  | 30K7    | 93             | 12,950        | 11,450 | 13000 L       | 90     | 2LG, 2ME, 3ME               |
|                    |                     | 40K7    | 95             |               |        |               | 100    |                             |
|                    |                     | 50K7    | 95             |               |        |               | 100    |                             |
| Q5                 | X5                  | 30K7    | 85             | 11,950        | 10,550 | 12000 L       | 90     | 2LG, 2ME, 3ME               |
|                    |                     | 40K7    | 86             |               |        |               | 90     |                             |
|                    |                     | 50K7    | 86             |               |        |               | 90     |                             |
| Q4                 | X4                  | 30K7    | 79             | 11,175        | 9,875  | 11000 L       | 80     | 2LG, 2ME, 3ME               |
|                    |                     | 40K7    | 80             |               |        |               | 80     |                             |
|                    |                     | 50K7    | 80             |               |        |               | 80     |                             |
| Q3                 | X3                  | 30K7    | 70             | 10,175        | 9,000  | 10000 L       | 70     | 2LG, 2ME, 3ME               |
|                    |                     | 40K7    | 71             |               |        |               | 70     |                             |
|                    |                     | 50K7    | 71             |               |        |               | 70     |                             |
| Q2                 | X2                  | 30K7    | 63             | 9,225         | 8,150  | 9000 L        | 60     | 2LG, 2ME, 3ME               |
|                    |                     | 40K7    | 64             |               |        |               | 60     |                             |
|                    |                     | 50K7    | 64             |               |        |               | 60     |                             |
| Q1                 | X1                  | 30K7    | 57             | 8,425         | 7,450  | 8000 L        | 60     | 2LG, 2ME, 3ME               |
|                    |                     | 40K7    | 57             |               |        |               | 60     |                             |
|                    |                     | 50K7    | 57             |               |        |               | 60     |                             |

† Electrical and lumen data at 25°C (77°F). Actual wattage and lumen output may differ by +/-10% when operating between 120-277V or 347-480V +/-10%

**Field Adjustable Output (Q4/Q3/Q2/Q1) Option Description:**

The Field Adjustable Output option enables the street and area luminaire within the RSW Series on this page to be tuned to the exact needs of a particular application through multiple levels of adjustment. When ordered with the Q option, the luminaire will be shipped from the factory at the selected lumen output, will be fully adjustable between the outputs, and will include an ANSI C136.15-2020 utility label that indicates the wattage (rounded to nearest 10W), the lumen output (rounded to nearest 1000 lumens), and the CCT of the luminaire at the selected lumen output. Additional dimming functionality is available when a dimming control (by others) is used in the 7-Pin receptacle.

**Locked Lumen Output (X3/X2/X1) Option Description:**

The Locked Lumen Output option on this page permanently locks the lumen output on the RSW Series street and area luminaire to the setting selected. When ordered with the X option, the luminaire will be shipped from the factory at the lumen output setting selected, and will include a utility label that indicates the wattage, lumen output, and CCT of the setting selected. When this option is selected, the luminaire output is not able to be adjusted in the field except if a dimming control (by others) is used in the 7-Pin receptacle.

**Q & X Option Power & Lumen Data – 24L**

| Q Setting          | X Setting           | CCT/CRI | System Watts † | Lumen Values  |        | Utility Label |         | Optics Qualified on DLC QPL |
|--------------------|---------------------|---------|----------------|---------------|--------|---------------|---------|-----------------------------|
|                    |                     |         | 120-277V       | 2LG, 2ME, 3ME | w/BLS  | Wattage       | Lumens  | DLC Premium                 |
| Q9<br>(Full Power) | N/A<br>(Full Power) | 30K7    | 194            | 24,000        | 22,100 | 190           | 24000 L | 2LG, 2ME, 3ME               |
|                    |                     | 40K7    | 167            |               |        | 170           |         | 2LG, 2ME, 3ME               |
|                    |                     | 50K7    | 167            |               |        | 170           |         | 2LG, 2ME, 3ME               |
| Q8                 | X8                  | 30K7    | 185            | 23,200        | 21,300 | 190           | 23000 L | 2LG, 2ME, 3ME               |
|                    |                     | 40K7    | 160            |               |        | 160           |         | 2LG, 2ME, 3ME               |
|                    |                     | 50K7    | 160            |               |        | 160           |         | 2LG, 2ME, 3ME               |
| Q7                 | X7                  | 30K7    | 174            | 22,100        | 20,300 | 170           | 22000 L | 2LG, 2ME, 3ME               |
|                    |                     | 40K7    | 151            |               |        | 150           |         | 2LG, 2ME, 3ME               |
|                    |                     | 50K7    | 151            |               |        | 150           |         | 2LG, 2ME, 3ME               |
| Q6                 | X6                  | 30K7    | 167            | 21,300        | 19,600 | 170           | 21000 L | 2LG, 2ME, 3ME               |
|                    |                     | 40K7    | 145            |               |        | 150           |         | 2LG, 2ME, 3ME               |
|                    |                     | 50K7    | 145            |               |        | 150           |         | 2LG, 2ME, 3ME               |
| Q5                 | X5                  | 30K7    | 152            | 19,600        | 18,000 | 150           | 20000 L | 2LG, 2ME, 3ME               |
|                    |                     | 40K7    | 132            |               |        | 130           |         | 2LG, 2ME, 3ME               |
|                    |                     | 50K7    | 132            |               |        | 130           |         | 2LG, 2ME, 3ME               |
| Q4                 | X4                  | 30K7    | 140            | 18,300        | 16,800 | 140           | 18000 L | 2LG, 2ME, 3ME               |
|                    |                     | 40K7    | 122            |               |        | 120           |         | 2LG, 2ME, 3ME               |
|                    |                     | 50K7    | 122            |               |        | 120           |         | 2LG, 2ME, 3ME               |
| Q3                 | X3                  | 30K7    | 125            | 16,600        | 15,300 | 130           | 17000 L | 2LG, 2ME, 3ME               |
|                    |                     | 40K7    | 108            |               |        | 110           |         | 2LG, 2ME, 3ME               |
|                    |                     | 50K7    | 108            |               |        | 110           |         | 2LG, 2ME, 3ME               |
| Q2                 | X2                  | 30K7    | 111            | 15,000        | 13,775 | 110           | 15000 L | 2LG, 2ME, 3ME               |
|                    |                     | 40K7    | 97             |               |        | 100           |         | 2LG, 2ME, 3ME               |
|                    |                     | 50K7    | 97             |               |        | 100           |         | 2LG, 2ME, 3ME               |
| Q1                 | X1                  | 30K7    | 100            | 13,700        | 12,600 | 100           | 14000 L | 2LG, 2ME, 3ME               |
|                    |                     | 40K7    | 87             |               |        | 90            |         | 2LG, 2ME, 3ME               |
|                    |                     | 50K7    | 87             |               |        | 90            |         | 2LG, 2ME, 3ME               |

† Electrical and lumen data at 25°C (77°F). Actual wattage and lumen output may differ by +/-10% when operating between 120-277V or 347-480V +/-10%

**Field Adjustable Output (Q4/Q3/Q2/Q1) Option Description:**

The Field Adjustable Output option enables the street and area luminaire within the RSW Series on this page to be tuned to the exact needs of a particular application through multiple levels of adjustment. When ordered with the Q option, the luminaire will be shipped from the factory at the selected lumen output, will be fully adjustable between the outputs, and will include an ANSI C136.15-2020 utility label that indicates the wattage (rounded to nearest 10W), the lumen output (<math>\leq 24,000</math> lumens rounded to nearest 1000 lumens, > 24,001 lumens rounded to the nearest 2000 lumens), and the CCT of the luminaire at the selected lumen output. Additional dimming functionality is available when a dimming control (by others) is used in the 7-Pin receptacle.

**Locked Lumen Output (X3/X2/X1) Option Description:**

The Locked Lumen Output option on this page permanently locks the lumen output on the RSW Series street and area luminaire to the setting selected. When ordered with the X option, the luminaire will be shipped from the factory at the lumen output setting selected, and will include a utility label that indicates the wattage, lumen output, and CCT of the setting selected. When this option is selected, the luminaire output is not able to be adjusted in the field except if a dimming control (by others) is used in the 7-Pin receptacle.

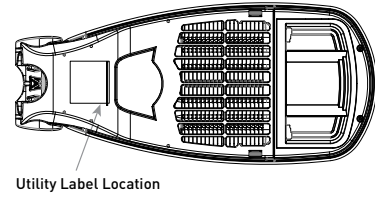
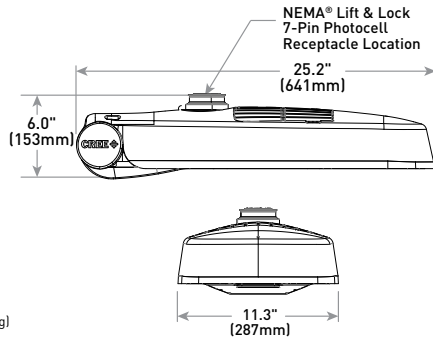
**Q & X Option Power & Lumen Data – 32L**

| Q Setting          | X Setting           | CCT/CRI | System Watts † | Lumen Values  |        | Utility Label |         | Optics Qualified on DLC QPL |
|--------------------|---------------------|---------|----------------|---------------|--------|---------------|---------|-----------------------------|
|                    |                     |         | 120-277V       | 2LG, 2ME, 3ME | w/BLS  | Wattage       | Lumens  | DLC Premium                 |
| Q9<br>(Full Power) | N/A<br>(Full Power) | 30K7    | 248            | 29,000        | 26,700 | 250           | 30000 L | 2LG, 2ME, 3ME               |
|                    |                     | 40K7    | 248            | 32,000        | 29,400 | 250           | 32000 L | 2LG, 2ME, 3ME               |
|                    |                     | 50K7    | 248            |               |        | 250           |         | 2LG, 2ME, 3ME               |
| Q8                 | X8                  | 30K7    | 237            | 28,000        | 25,700 | 240           | 28000 L | 2LG, 2ME, 3ME               |
|                    |                     | 40K7    | 237            | 30,900        | 28,400 | 240           | 30000 L | 2LG, 2ME, 3ME               |
|                    |                     | 50K7    | 237            |               |        | 240           |         | 2LG, 2ME, 3ME               |
| Q7                 | X7                  | 30K7    | 223            | 26,800        | 24,600 | 220           | 26000 L | 2LG, 2ME, 3ME               |
|                    |                     | 40K7    | 223            | 29,600        | 27,200 | 220           | 30000 L | 2LG, 2ME, 3ME               |
|                    |                     | 50K7    | 223            |               |        | 220           |         | 2LG, 2ME, 3ME               |
| Q6                 | X6                  | 30K7    | 213            | 25,900        | 23,800 | 210           | 26000 L | 2LG, 2ME, 3ME               |
|                    |                     | 40K7    | 213            | 28,600        | 26,300 | 210           | 28000 L | 2LG, 2ME, 3ME               |
|                    |                     | 50K7    | 213            |               |        | 210           |         | 2LG, 2ME, 3ME               |
| Q5                 | X5                  | 30K7    | 193            | 23,900        | 22,000 | 190           | 24000 L | 2LG, 2ME, 3ME               |
|                    |                     | 40K7    | 193            | 26,400        | 24,300 | 190           | 26000 L | 2LG, 2ME, 3ME               |
|                    |                     | 50K7    | 193            |               |        | 190           |         | 2LG, 2ME, 3ME               |
| Q4                 | X4                  | 30K7    | 178            | 22,400        | 20,600 | 180           | 22000 L | 2LG, 2ME, 3ME               |
|                    |                     | 40K7    | 178            | 24,700        | 22,700 | 180           | 24000 L | 2LG, 2ME, 3ME               |
|                    |                     | 50K7    | 178            |               |        | 180           |         | 2LG, 2ME, 3ME               |
| Q3                 | X3                  | 30K7    | 159            | 20,300        | 18,700 | 160           | 20000 L | 2LG, 2ME, 3ME               |
|                    |                     | 40K7    | 159            | 22,400        | 20,600 | 160           | 22000 L | 2LG, 2ME, 3ME               |
|                    |                     | 50K7    | 159            |               |        | 160           |         | 2LG, 2ME, 3ME               |
| Q2                 | X2                  | 30K7    | 142            | 18,500        | 17,000 | 140           | 19000 L | 2LG, 2ME, 3ME               |
|                    |                     | 40K7    | 142            | 20,400        | 18,700 | 140           | 20000 L | 2LG, 2ME, 3ME               |
|                    |                     | 50K7    | 142            |               |        | 140           |         | 2LG, 2ME, 3ME               |
| Q1                 | X1                  | 30K7    | 127            | 16,900        | 15,500 | 130           | 17000 L | 2LG, 2ME, 3ME               |
|                    |                     | 40K7    | 127            | 18,700        | 17,200 | 130           | 19000 L | 2LG, 2ME, 3ME               |
|                    |                     | 50K7    | 127            |               |        | 130           |         | 2LG, 2ME, 3ME               |

† Electrical and lumen data at 25°C (77°F). Actual wattage and lumen output may differ by +/-10% when operating between 120-277V or 347-480V +/-10%

RSW™ LED Street Luminaire – Small, Medium, Large & Extra Large

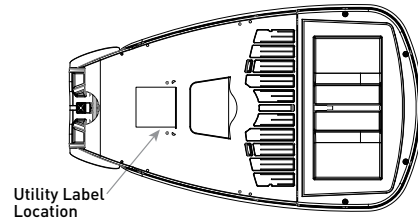
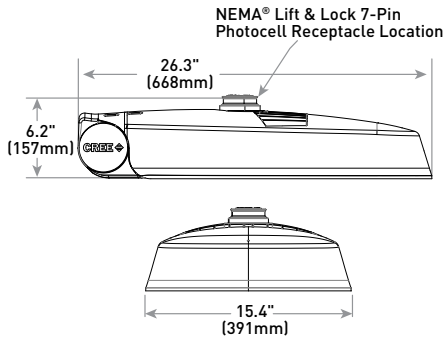
**RSWM**



| Weight*           |
|-------------------|
| 15.6 lbs. (7.1kg) |

\* RSW-BLSM Accessory: add 0.4 lbs. (0.2kg);  
RSW-CLSM or RSW-FLSM Accessories: add 0.6 lbs. (0.3kg)

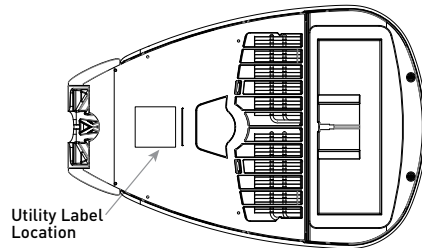
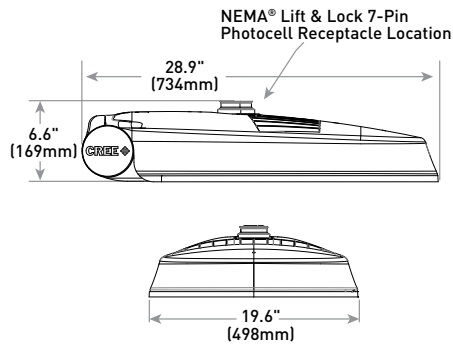
**RSWL**



| Weight*           |
|-------------------|
| 20.2 lbs. (9.2kg) |

\*RSW-BLSL Accessory: add 0.6 lbs. (0.3kg);  
RSW-CLSL Accessory: add 1.0 lb. (0.5kg)

**RSWX**



| Weight*            |
|--------------------|
| 28.8 lbs. (13.1kg) |

\*RSW-BLSX Accessory: add 0.8 lbs. (0.4kg)

© 2022 Cree Lighting, A company of IDEAL INDUSTRIES. All rights reserved. For informational purposes only. Content is subject to change. Patent [www.creelighting.com/patents](http://www.creelighting.com/patents). Cree® and the Cree Lighting logo are registered trademarks of Cree, Inc. WaveMax® is a registered trademark, and RSW™ and DiamondFacet™ are trademarks of Cree Lighting, A company of IDEAL INDUSTRIES. The UL logo is a registered trademark of UL LLC. NEMA® is a registered trademark of the National Electrical Manufacturers Association. Synapse® is a registered trademark of Synapse Wireless, Inc. Verizon® is a registered trademark of Verizon Trademark Services LLC. The DLC QPL, DLC QPL Premium and the DLC LUNA Logos are the registered and unregistered trademarks of Efficiency Forward, Inc.

US: [creelighting.com](http://creelighting.com) (800) 236-6800  
Canada: [creelighting-canada.com](http://creelighting-canada.com) (800) 473-1234

**CREE**  **LIGHTING**®

A COMPANY OF IDEAL INDUSTRIES, INC.