

LEDone®

Date: _____ Location: _____

Product: _____ Project: _____

Quantity: _____ Catalog #: _____



Bronze



White



Quick Mount Back Plate

LED Multi Watt Multi CCT Mini Wall Pack Light Family Series

CONSTRUCTION:

Heavy die-cast aluminum housing with polyester powder-coated finish. Integral secondary heat sink to optimize thermal transfer and maximize performance of the LEDs. Frosted lens.

OPTICAL SYSTEM:

Philips Lumileds 3030 LED chips. High quality tempered glass optics. 125° beam angle.

WARRANTY:

5-year limited warranty. Actual performance may differ as a result of end-user environment and application.

ELECTRICAL:

Available as 120-277V input. -20°C to 50°C, -4°F to 122°F

INSTALLATION & MOUNTING:

Wall Mounting with quick mount back plate for easy installation.

CONTROLS & DIMMING:

Photocell included. Continuous dimming to 10% or below

FEATURES

- Default Wattage: 25W
- Default CCT: 5,000K
- IP65 rated
- Easy installation and maintenance
- Corrosion and rust proof
- Semi cut-off
- Photocell included
- 50,000 hours lifetime

SUITABLE APPLICATIONS

- Warehouses
- Stadiums
- Factories
- Parking Lots
- Shopping Malls
- Supermarkets
- Logistic Centers
- Auto dealerships

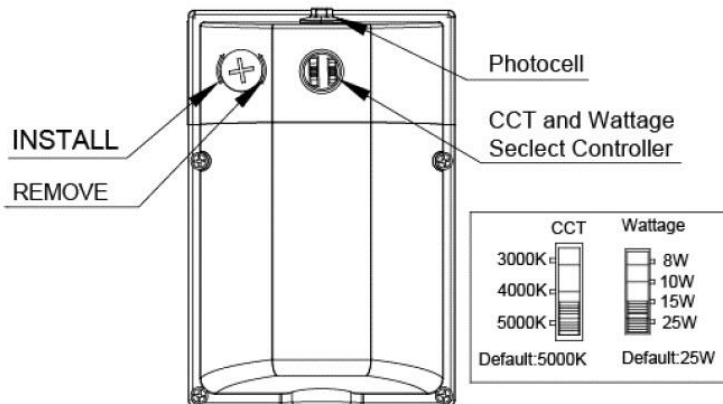
DLC Product ID:

- LOC-MWP-MW(8/10/15/25)MCCT(30/40/50) – S-Z3LOD2

TAA Compliant Option Available.
Contact your Sales Representative for more information.



Intertek



WATTAGE	BUG RATING
8W/10W/15W/25W	B1-U3-G2

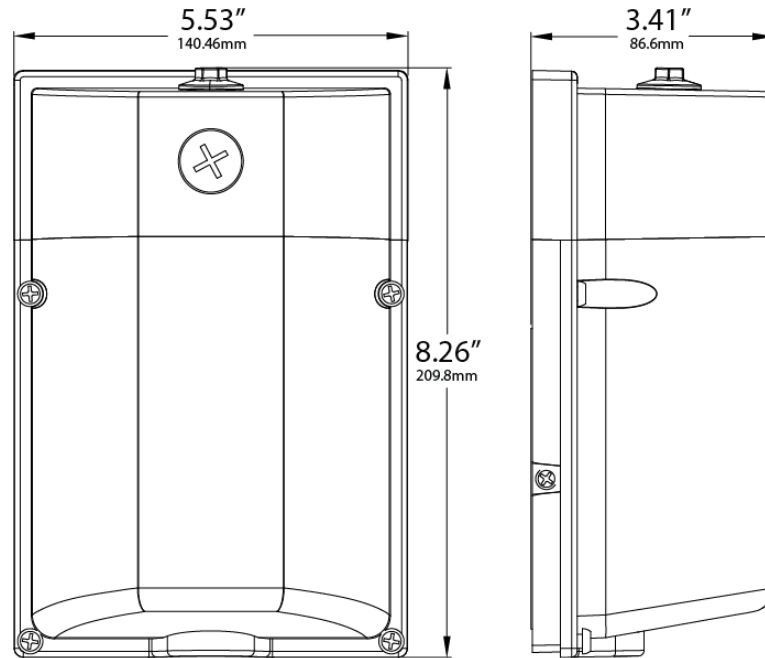
LOC-MWP-MW(8/10/15/25)MCCT(30/40/50)

WATTAGE SELECTABLE	CCT SELECTABLE	LUMENS	EFFICACY	VOLTAGE	CRI	POWER FACTOR	THD	REPLACES
8W	3000K / 4000K / 5000K	1,097.28LM	137.16lm/W	120-277V	71	0.923	12%	30W – 50W HID
10W	3000K / 4000K / 5000K	1,371.6LM	140lm/W	120-277V	71.3	0.985	11.8%	30W – 50W HID
15W	3000K / 4000K / 5000K	2,057.4LM	140lm/W	120-277V	71.3	0.985	11.8%	30W – 50W HID
25W	3000K / 4000K / 5000K	3,429LM	140lm/W	120-277V	71.3	0.985	11.8%	30W – 50W HID

LOC-MWP-MW(8/10/15/25)MCCT(30/40/50) – White Color

WATTAGE SELECTABLE	CCT SELECTABLE	LUMENS	EFFICACY	VOLTAGE	CRI	POWER FACTOR	THD	REPLACES
8W	3000K / 4000K / 5000K	1,097.28LM	137.16lm/W	120-277V	71	0.923	12%	30W – 50W HID
10W	3000K / 4000K / 5000K	1,371.6LM	140lm/W	120-277V	71.3	0.985	11.8%	30W – 50W HID
15W	3000K / 4000K / 5000K	2,057.4LM	140lm/W	120-277V	71.3	0.985	11.8%	30W – 50W HID
25W	3000K / 4000K / 5000K	3,429LM	140lm/W	120-277V	71.3	0.985	11.8%	30W – 50W HID

MEASUREMENTS



MODEL	QTY	NET WEIGHT	MASTER CARTON SIZE	GROSS WEIGHT	PCS CTN	UPC CODE
LOC-MWP-MW(8/10/15/25)MCCT(30/40/50)	1	2.6lbs	6" x 4" x 8.75"	28.45lbs	10	00810050941587
LOC-MWP-MW(8/10/15/25)MCCT(30/40/50) (white color)	1	2.6lbs	6" x 4" x 8.75"	28.45lbs	10	00810050941594