

LED Multi Wattage Multi CCT 13" Square Canopy Light



CONSTRUCTION:

Heavy die-cast aluminum housing with polyester powder-coated finish

OPTICAL SYSTEM:

Frosted lens. 162° beam angle.

WARRANTY:

5-year limited warranty. Actual performance may differ as a result of end-user environment and application.

ELECTRICAL:

Available as 120-277V input. -40°C to 50°C, -40°F to 113°F

INSTALLATION & MOUNTING:

Wall Mounting for easy installation.

CONTROLS & DIMMING:

1-10V dimming comes standard.

FEATURES

- Default Wattage: 100W
- Default CCT: 5,000K
- IP65 rated
- Easy installation and maintenance
- Corrosion and rust proof
- Housing color: Bronze
- 50,000 hours lifetime

SUITABLE APPLICATIONS

- Warehouses
- Stadiums
- Factories
- Parking Lots
- Shopping Malls
- Supermarkets
- Logistic Centers
- Auto dealerships



DLC Product ID:

- LOC-13SQCP-MW(25/50/75/100)MCCT(30/40/50) – S-XW5CH2



OPTIONAL ACCESSORIES:



Microwave Bluetooth Sensor
LOC-ACY-S-MWS-BT-01-G1
(Compatible with App)



PIR Sensor
LOC-ACY-S-PIRS-01-G1
(Compatible with LOC-RC-WHITE-G1)



PIR Bluetooth Sensor
LOC-ACY-S-PIRS-BT-01-G1
(Compatible with App)



Microwave Sensor
LOC-ACY-S-MWS-01-G1
(Compatible with LOC-RC-WHITE-G1)



Remote Control
LOC-RC-WHITE-G1

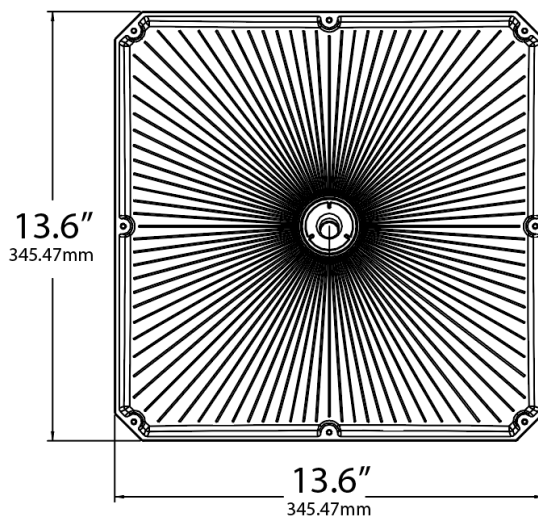
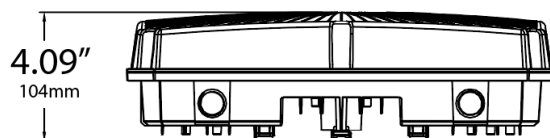
WATTAGE	BUG RATING
75W -150W	B3-U3-G3

LED Multi Wattage Multi CCT 13" Square Canopy Light

LOC-13SQCP-MW(25/50/75/100)MCCT(30/40/50)

WATTAGE SELECTABLE	CCT SELECTABLE	LUMENS	EFFICACY	VOLTAGE	CRI	POWER FACTOR	THD	REPLACES
25W	3000K / 4000K / 5000K	3,038.5LM	121.54lm/W	120-277V	85	0.933	10.3%	
50W	3000K / 4000K / 5000K	6,077LM	121.54lm/W	120-277V	85	0.933	10.3%	
75W	3000K / 4000K / 5000K	9,115.5LM	121.54lm/W	120-277V	85	0.933	10.3%	
100W	3000K / 4000K / 5000K	12,154LM	121.54lm/W	120-277V	85	0.933	10.3%	

MEASUREMENTS



MODEL	QTY	NET WEIGHT	MASTER CARTON SIZE	GROSS WEIGHT	PCS CTN	UPC CODE
LOC-13SQCP-MW(25/50/75/100)MCCT(30/40/50)	1	7.94lbs	18.11" x 16.14" x 16.54"	29.54lbs	3	00810050946513